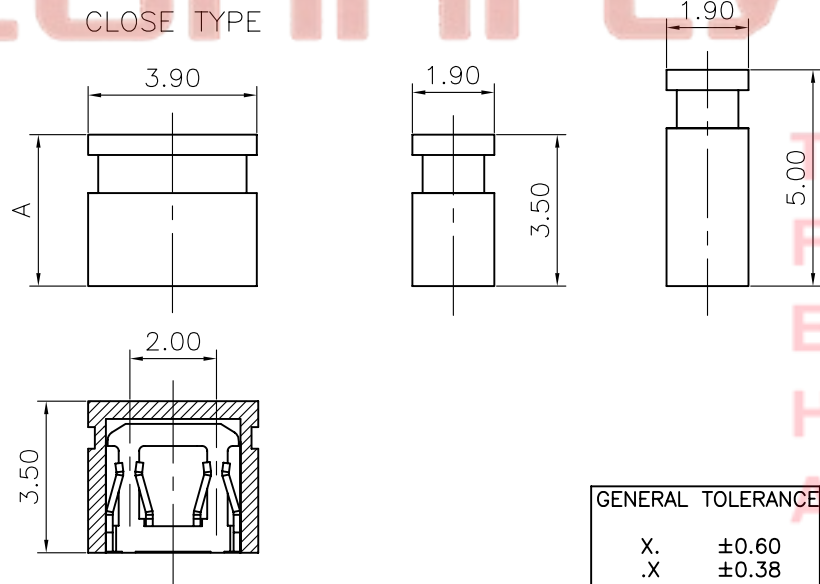
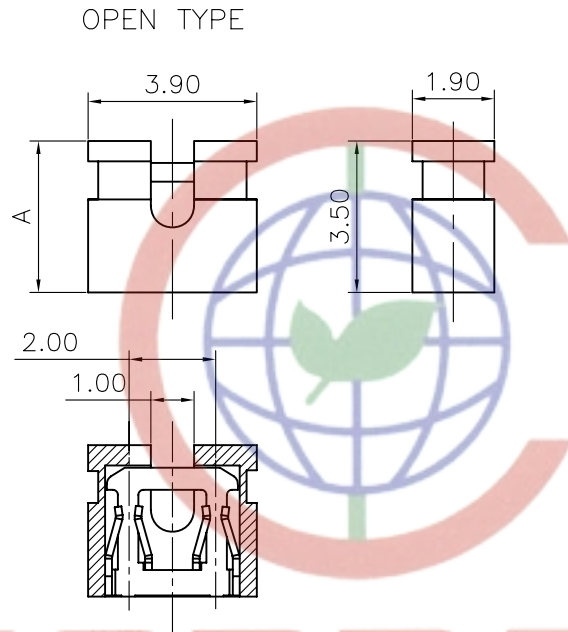


REV.	DESCRIPTION	DRAWN	CHECKED	APPROVED
A	NEW RELEASE	LL 09/25/06'		



NOTES:

1. SPECIFICATION:

- 1.1 CONTACT RESISTANCE: 30mΩ MAX.
- 1.2 DIELECTRIC WITHSTANDING VOLTAGE: 250V AC(rms) FOR 1 MINUTE.
- 1.3 INSULATION RESISTANCE: 500MΩ MINI.
- 1.4 OPERATING TEMPERATURE: -40°C~+105°C.

2. PRODUCT NUMBER CODE:

DS1028 - X X X X X

PROFILE HEIGHT(DIM A):  
1: 3.50mm  
2: 5.00mm

CONTACT PLATING:  
F1: FULL GOLD FLASH  
N: NICKEL  
2: GOLD+NICKEL

HOUSING COLOR:  
B: BLACK U:BLUE Y:YELLOW  
W: WHITE E:GREEN R:RED

HOUSING TYPE:  
A:OPEN B:CLOSE

No.OF CONTACTS:  
2: 2pin

SERIES No:  
DS1028

GENERAL TOLERANCE	ANGLE TOLERANCE	PROJECTION		TITLE	MINI JUMPER PITCH 2.00mm
X. ±0.60	X. ±5°	UNITS	mm	SHEET SIZE	A4
.X ±0.38	.X ±3°	DRAWING TYPE	CUSTOMER	SERIES	DS1028 SERIES
.XX ±0.25	.XX ±2°	SCALE	1:1	SHEET	1 OF 1
DRAWING NO. C-DS1028-XXXXX		<b>晨翔电子有限公司</b> <b>CONNFLY CONNFLY ELECTRONIC CO. LTD</b>			

Tel:86-574-6350817  
 Fax:86-574-6351817  
 E-mail:sale@zhenqin.com.cn  
 Http://www.connfly.com