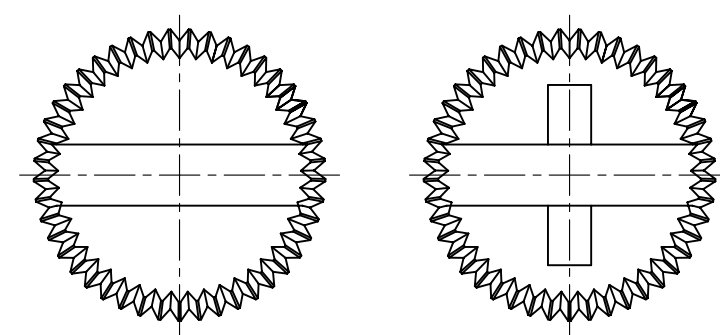
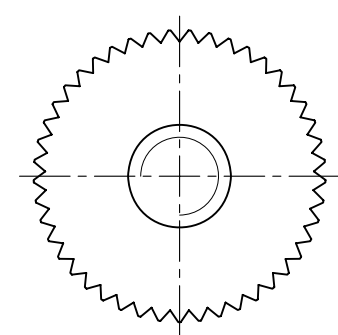
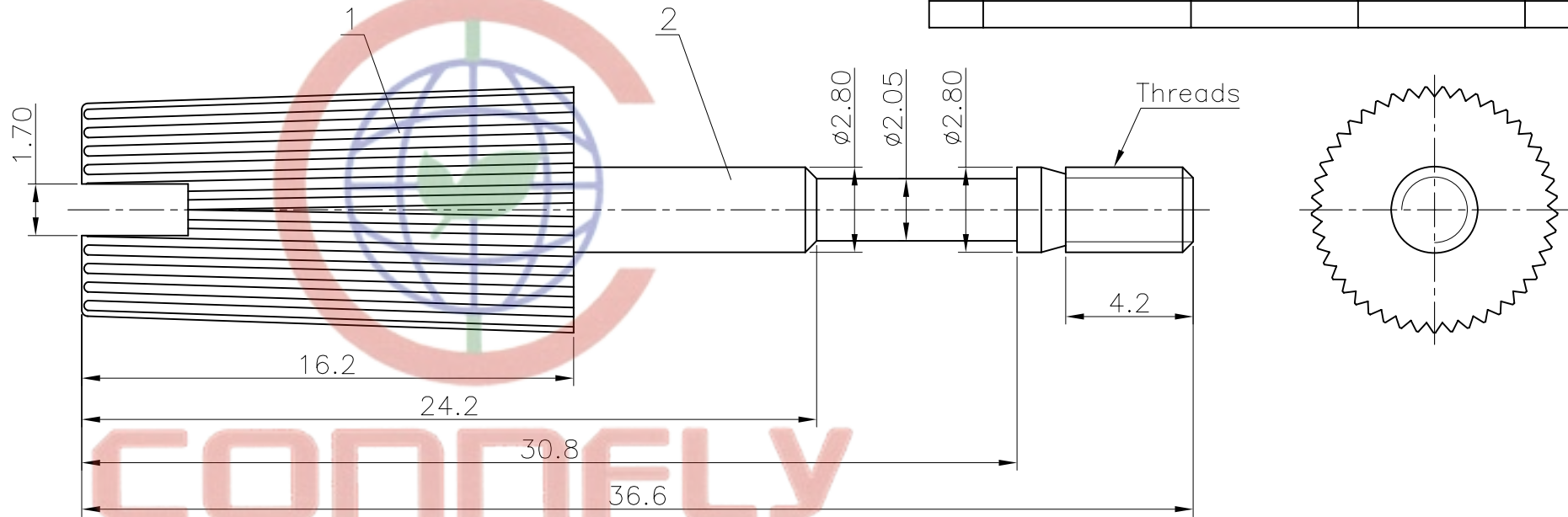


REV.	DESCRIPTION	DRAWN	CHECKED	APPROVED
A	NEW RELEASE	YCH 11/07/09'	~	



TYPE 1 TYPE 2

A 向

NOTES:

1. Plating: Nickel
2. Product Number Code

DS1045-21 - X X X

Thread type:
 3: M3
 4: UNC#4-40
 Shape of head:
 1: type1
 2: type2
 Total Length(DIM A):
 3660: 36.60mm

Tel:86-574-63508787
 Fax:86-574-63510877
 E-mail:sale@zhean.com.cn
 Http://www.connfly.com

GENERAL TOLERANCE		ANGLE TOLERANCE		PROJECTION		TITLE	
X.	±0.20	X.	±2°	UNITS	mm	BLOT	
.X	±0.15	.X	±1°	SHEET SIZE	A4	SERIES	DS1045-21 SERIES
.XX	±0.10	.XX	±0.5°	晨翔电子有限公司 CONNFLY CONNFLY ELECTRONIC CO. LTD			
DRAWING TYPE		CUSTOMER					
SCALE	1:1	SHEET	1 OF 1				
DRAWING NO.		C-DS1045-21-XXX					