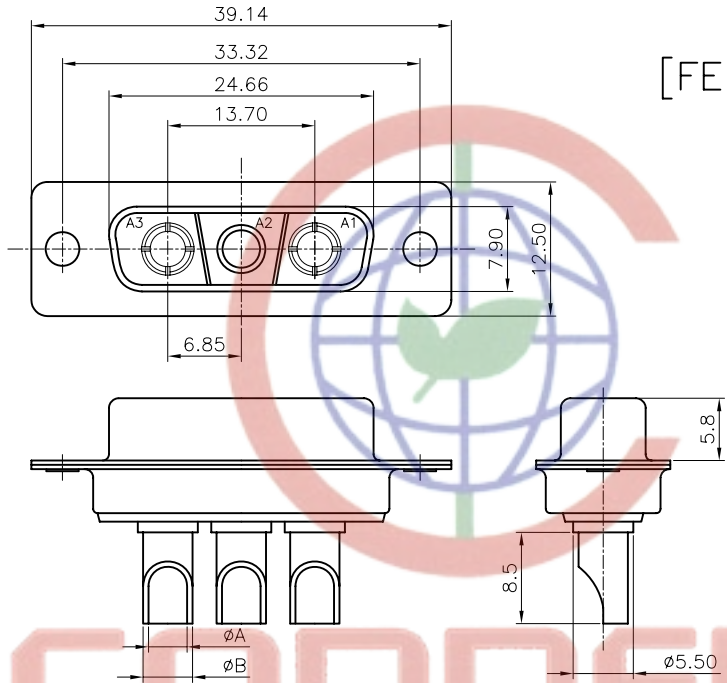
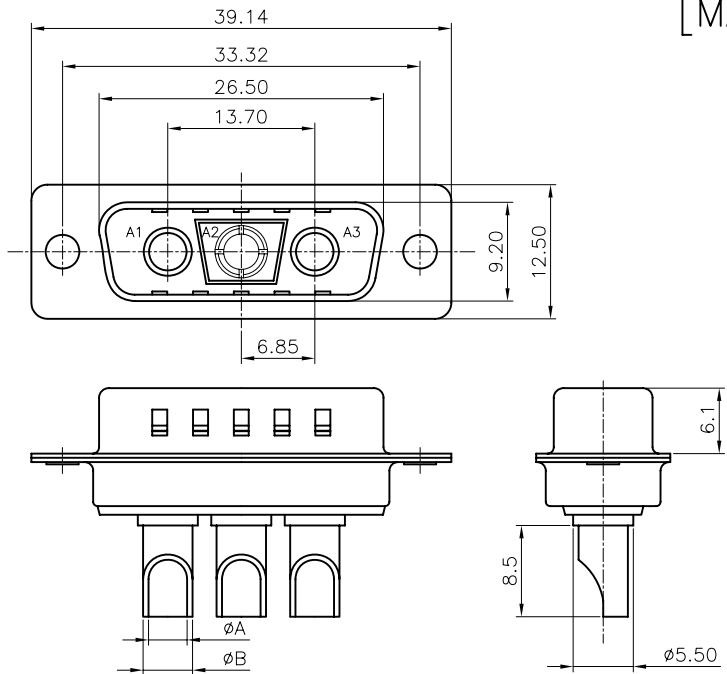


REV.	DESCRIPTION	DRAWN	CHECKED	APPROVED
A	NEW RELEASE	LJC 01/17/09'	~	

[FEMALE]



[MALE]



NOTES:

- ELECTRICAL CHARACTERISTICS:
 - CONTACT RESISTANCE: 20mΩ Max. INITIAL.
 - DIELECTRIC WITHSTANDING VOLTAGE: 500V AC(rms)FOR 1 MINUTE.
 - INSULATION RESISTANCE: 1000MΩ Min.
 - CURRENT RATING: 40A.
 - VOLTAGE RATING: 300V
- ENVIRONMENT CHARACTERISTICS:
 - TEMPERATURE RANGE: -40° C ~ +105° C.
- MECHANICAL CHARACTERISTICS:
 - DURABILITY: 500 CYCLES.
 - CONTACT RETENTION FORCE: 1Kgf MINIMUM.
- MATERIALS:
 - SHELL: SPCC.
 - CONTACT: COPPER ALLOY.
 - INSULATOR: THERMOPLASTIC UL 94V-0, GLASS FIBER FILLED.
- PART NUMBER CODE:

DS1033-06- X X X X X

└ CURRENT RATING

- 1: 10A
- 2: 20A
- 3: 30A
- 4: 40A

└ CONTACT PLATING

- 8: FULL GOLD FLASH
- C: FULL 3u: GOLD

└ SHELL PLATING

- N: FORNT SHELL NICKEL, BACK SHELL TIN

└ HOUSING COLOR

- B: BLACK
- W: WHITE
- L: BLUE

└ CONNECTOR TYPE

- M: MALE
- F: FEMALE

TYPE	CURRENT RATING	φA	φB
1	10A	φ1.7	φ2.5
2	20A	φ2.7	φ3.6
3	30A	φ3.6	φ4.5
4	40A	φ4.6	φ5.5

GENERAL TOLERANCE	ANGLE TOLERANCE	PROJECTION	TITLE	MACHINE PIN D-SUB 2+1
X. ±0.60	X. ±5°	mm		SOLDER TYPE
.X ±0.38	.X ±3°		SHEET SIZE	DS1033-06 SERIES
.XX ±0.25	.XX ±2°			
DRAWING TYPE	CUSTOMER	晨翔电子有限公司 CONNFLY CONNFLY ELECTRONIC CO. LTD		
SCALE	1:1 SHEET 1 OF 1			
DRAWING NO.	C-DS1033-06-XXXX-A			