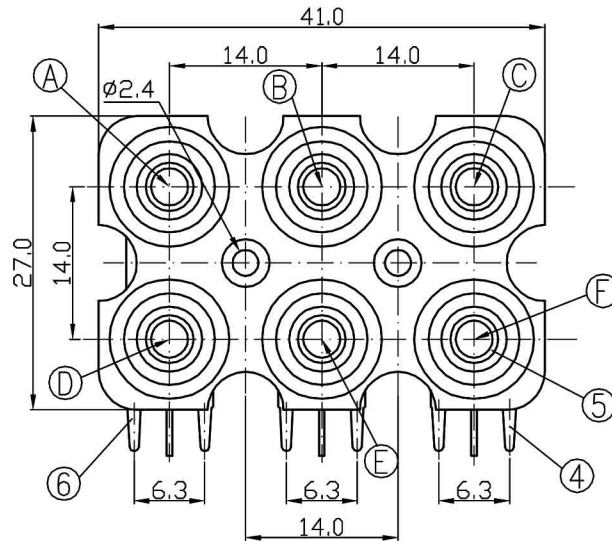
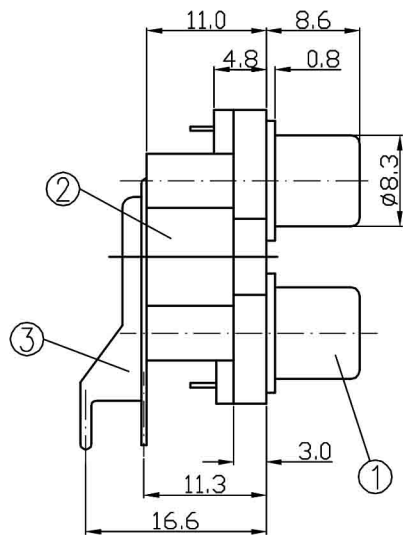
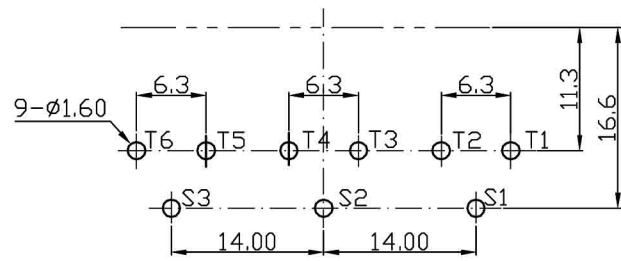
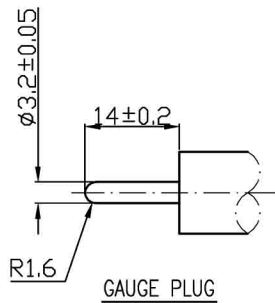


**RoHS
Compliant
Drawing For
Reference Only**

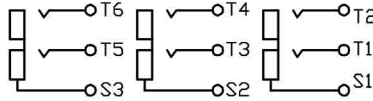


COLOR LAYOUT					
A	B	C	D	E	F

NOTES:
 额定电流 Current rating: 1A
 额定电压 Voltage rating: 30V DC
 耐电压 Withstand coltage: 500V AC/minute
 接触电阻 Contact resistance: 30mΩ Max
 绝缘电阻 Insulation resistance: 100MΩ Min
 插入力 Mating Force: 3~25N
 拔出力 Unmating Force: 3~25N
 寿命 Durability: 1000 CYCLES
 工作温度 Working temperature: -25℃~+85℃



RECOMMENDED PCB LAYOUT T=1.6mm
 BOTTOM VIEW TOLERANCE: ±0.05



SCHEMATIC

Technical requirement :
 1. This product should meet EU RoHS related requirement.
 2. The surface of plastic part should be without any crackle such as burr,lack,and so on phenomenon.
 3. The surface of metal part should be without any defect such as scour,nick,oxidation and plating problem.
 4. The electronic performance should be the same as spec.

6	PINCER NEEDLE(L)	BRASS
5	WASHER	PBT
4	PINCER NEEDLE(S)	BRASS
3	CONTACT PIECE	BRASS
2	HOUSING	ABS
1	OUTER CONTACT	BRASS
NO.	DESCRIPTION	MATERIAL

GENERAL TOLERANCES (UNLESS SPECIFIED)	
DIMENSIONS	ANGLE(DEG)
X.=±0.50	X.=±5°
X.X=±0.30	X.X=±3°
X.XX=±0.20	X.XX=±2°
X.XXX=±0.10	X.XXX=±1°

DCI DRAGON CITY INDUSTRIES LIMITED

Item Name	6P RCA JACK BOARD	Tolerance :	Design	K.W Law	Remark	Scale
Item No.	RS-607	Unit : mm	Drawing	W.K Yeung	Remark	Material
			Check	K.L Wong	Remark	Drawing No. B311150110
			Approval	K.W Chan	Remark	Sheet