

W11-2 Photoelectric Sensors

Reduction to the essential,
multifaceted application options

W11-2 is convincing thanks to its wide variety. Sensor technology designed optimally for individual applications enables a wide range of applications in very different areas of automation technology. Regardless of which sensor principle you select, the housing, mounting and connection features are uniform in the complete series.

Whether in the packaging industry, materials handling or bottling industry, the W11-2 is the right choice in any case.

W11-2 provides the following variants:

WTB11-2 with background blanking

WTF11-2 with foreground blanking

when objects with inhomogeneous surfaces should be detected reliably.

WTE11-2, energetic photoelectric sensor if large scanning distances are required.

WL11-2, photoelectric reflex sensor, the tried-and-tested solution with multifaceted application options.

WL11G, for glass detection, the ideal sensor for detecting transparent objects such as glass bottles.


WSE11-2, through-beam photoelectric sensor for applications, in which larger performance reserves are needed.

W11-2 adapts to your system.

The sturdy plastic housing fulfills the inspection requirements of ECOLAB. Rotatable plug and cable connections and the multifaceted attachment options such as dovetail mounting provide a maximum number of mounting and installation possibilities.

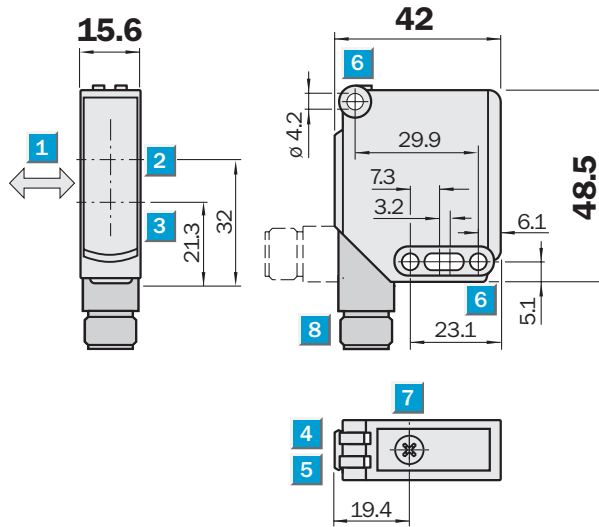
The commissioning of a W11-2 is fast and easy: mount the sensor, align it and you're done !

It is easier to align the sensors with the new PinPoint technology.


Scanning distance
 35 ... 350 mm
Photoelectric proximity sensor

- Scanning range adjustable via potentiometer
- Sturdy plastic housing
- Dovetail mounting
- M12 plug rotatable

Dimensional drawing



Adjustments possible

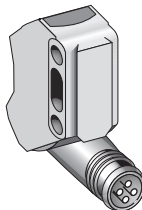


- 1 Standard direction of the material being scanned
- 2 Optical axis receiver
- 3 Optical axis sender
- 4 LED indicator, green; power on
- 5 LED indicator, yellow; status of received light beam
- 6 Mounting hole \varnothing 4.2 mm
- 7 Scanning distance adjustment, Potentiometer
- 8 Connection

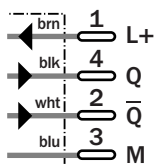


Connection type

WTF11-2P2431



M12, 4-pin



Accessories
Mounting systems
Connector, M12, 4-pin

WTF11-2		P2431									
Scanning distance max. typ.	35 ... 350 mm ¹⁾										
Operating distance	35 ... 350 mm ¹⁾										
Adjustment of operating distance	Potentiometer (5 turn)										
Light source, light type	LED, red light, 640 nm ²⁾										
Light spot diameter	Ø 6.0 mm at 200 mm distance										
Supply voltage V_s	10 ... 30 V DC ³⁾										
Residual ripple	≤ 5 V _{pp} ⁴⁾										
Current consumption	≤ 30 mA ⁵⁾										
Switching outputs	PNP antivalent										
Signal voltage PNP HIGH / LOW	> V _s - 2.5 V / approx. 0 V										
Output current I _a max	100 mA										
Response time	≤ 2.5 ms ⁶⁾										
Switching frequency	200 Hz ⁷⁾										
Connection type	Connector, M12, 4-pin										
Circuit protection	U _v -connections reverse-polarity protected / Outputs short-circuit protected / Interference suppression										
Enclosure rating	IP 66, IP 67, IP 69K										
Ambient temperature operation	-30 °C ... +60 °C										
Ambient temperature storage	-40 °C ... +75 °C										
Weight	Approx. 120 g										
Housing material	ABS, PMMA										

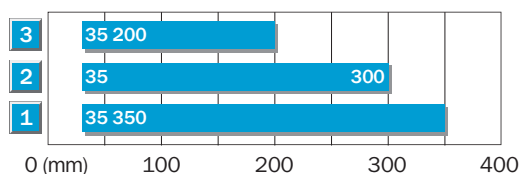
¹⁾ Object with 90 % remission (based on standard white to DIN 5033)
²⁾ Average service life 100,000 h at T_A = +25 °C

³⁾ Limit values, operation in short-circuit protected network max. 8 A
⁴⁾ May not exceed or fall short of V_s tolerances

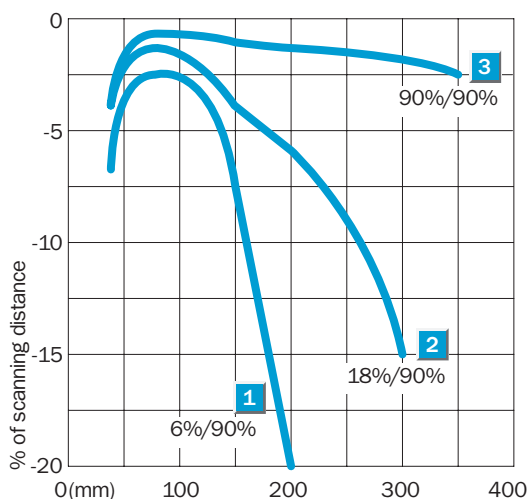
⁵⁾ Without load
⁶⁾ Signal transit time with resistive load

⁷⁾ With light/dark ratio 1:1
⁸⁾ Reference voltage 50 V DC

Scanning distance



- 1 Scanning distance on black, 6 % remission
- 2 Scanning distance on grey, 18 % remission
- 3 Scanning distance on white, 90 % remission



Order informationen	
Type	Order no.
WTF11-2P2431	1041380

	WTB11-2	N1131	N2431	P1131	P2431						
Scanning distance max. typ.	20 ... 350 mm ¹⁾										
Operating distance	20 ... 350 mm ¹⁾										
Adjustment of operating distance	Potentiometer (5 turn)										
Light source, light type	LED, red light, 640 nm ²⁾										
Light spot diameter	Approx. 6.0 mm at 200 mm distance										
Supply voltage V_s	10 ... 30 V DC ³⁾										
Residual ripple	≤ 5 V _{pp} ⁴⁾										
Current consumption	≤ 40 mA ⁵⁾										
	≤ 30 mA ⁵⁾										
Switching outputs	NPN antivalent										
	PNP antivalent										
Signal voltage PNP HIGH / LOW	> V _S - 2.5 V / approx. 0 V										
Signal voltage NPN HIGH / LOW	Approx. V _S / < 2.5 V										
Output current I _a max	100 mA										
Response time	≤ 2.5 ms ⁶⁾										
Switching frequency	200 Hz ⁷⁾										
Connection type	Cable, PVC, 2 m ⁸⁾										
	Connector, M12, 4-pin										
Circuit protection	V _s connections reverse-polarity protected/ Outputs short-circuit protected/ Interference suppression										
Enclosure rating	IP 66, IP 67, IP 69K										
Ambient temperature operation	-30 °C ... +60 °C										
Ambient temperature storage	-40 °C ... +75 °C										
Weight	Approx. 200 g										
	Approx. 120 g										
Housing material	ABS, PMMA										

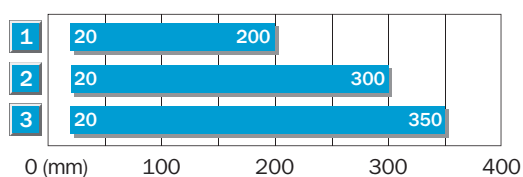
1) Object with 90 % remission (based on standard white to DIN 5033)
2) Average service life 100,000 h at T_A = +25 °C

3) Limit values, operation in short-circuit protected network max. 8 A
4) May not exceed or fall short of V_S tolerances

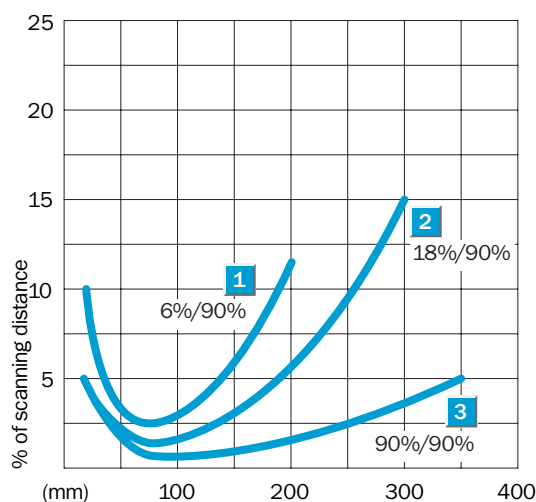
5) Without load
6) Signal transit time with resistive load
7) With light/dark ratio 1:1

8) Do not bend below 0 °C
9) Reference voltage 50 V DC

Scanning distance



- 1 Scanning distance on black, 6 % remission
- 2 Scanning distance on grey, 18 % remission
- 3 Scanning distance on white, 90 % remission



Order informationen

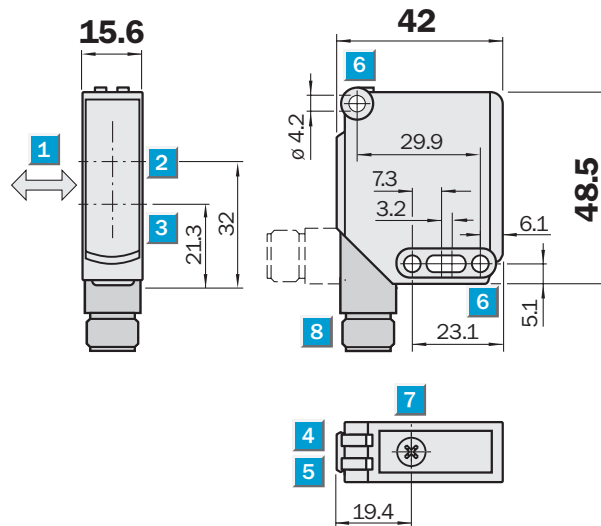
Type	Order no.
WTB11-2N1131	1041379
WTB11-2N2431	1041378
WTB11-2P1131	1041377
WTB11-2P2431	1041376

Scanning distance
30 ... 1,100 mm

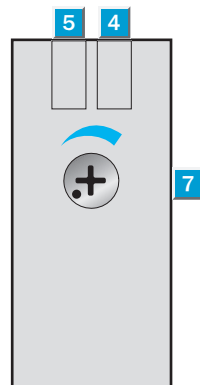
Photoelectric proximity sensor

- PinPoint Technology, bright, precise red light
- Scanning distance adjustable via potentiometer
- Robust plastic housing
- Dovetail mounting
- M12 plug rotatable

Dimensional drawing



Adjustments possible

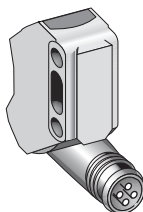


- 1 Standard direction of the material being scanned
- 2 Optical axis receiver
- 3 Optical axis sender
- 4 LED indicator, green; power on
- 5 LED indicator, yellow; status of received light beam
- 6 Mounting hole \varnothing 4.2 mm
- 7 Scanning distance adjustment, Potentiometer
- 8 Connection, plug M12

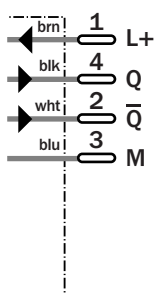


Connection type

WTB11-2P2461



M12, 4-pin



Accessories
Mounting systems
Connector, M12, 4-pin

WTB11-2

P2461

Scanning distance typ. max.	30 ... 1.100 mm ¹⁾	
Operating distance	30 ... 800 mm ¹⁾	
Adjustment of operating distance	Potentiometer	
Light source, light type	PinPoint LED, red light, 660 nm ²⁾	
Light spot diameter	Approx. 6.0 mm at 200 mm distance	
Supply voltage V_S	10 ... 30 VDC ³⁾	
Residual ripple	≤ 5 V _{pp} ⁴⁾	
Power consumption	≤ 30 mA ⁵⁾	
Switching outputs	PNP antivalent	
Signal voltage PNP HIGH / LOW	> V _S - 2.5 V / approx. 0 V	
Output current I _a max	100 mA	
Response time	≤ 2.5 ms ⁶⁾	
Switching frequency max.	200 Hz ⁷⁾	
Connection type	Connector, M12, 4-pin	
Circuit protection	V _S connections reverse-polarity protected / All outputs short-circuit protected / Interference pulse suppression	
Enclosure rating	IP 66, IP 67, IP 69K	
Ambient temperature operation	-30 °C ... +60 °C	
Ambient temperature storage	-40 °C ... +75 °C	
Weight	Approx. 120 g	
Housing material	ABS, PMMA	

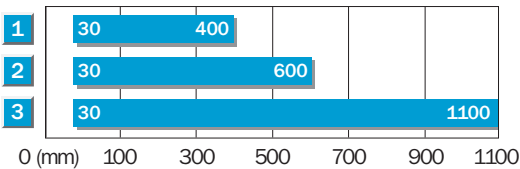
1) Object with 90 % remission (based on standard white to DIN 5033)
2) Average service life 100,000 h at T_A = +25 °C

3) Limit values, operation in short-circuit protected network max. 8 A
4) May not exceed or fall short of V_S tolerances

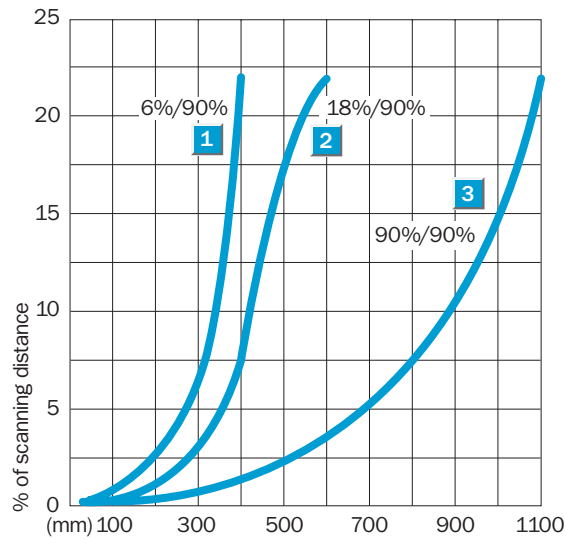
5) Without load
6) Signal transit time with resistive load

7) With light/dark ratio 1:1
8) Reference voltage 50 V DC


Scanning distance



- 1 Scanning distance on black, 6 % remission
- 2 Scanning distance on grey, 18 % remission
- 3 Scanning distance on white, 90 % remission

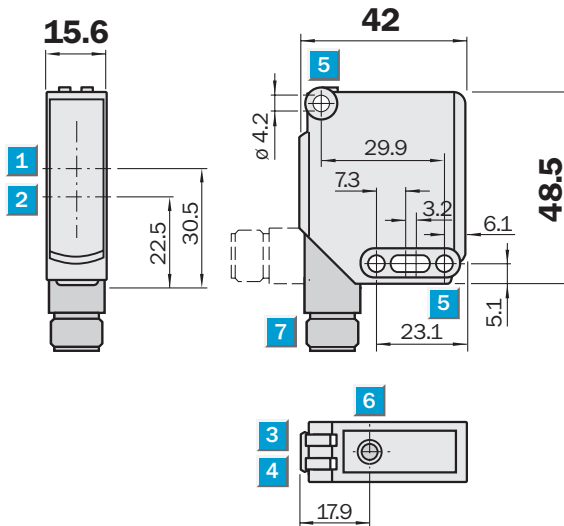


Order information	
Type	Order no.
WTB11-2P2461	1044442

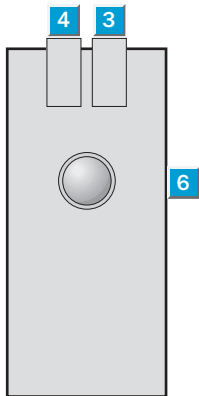

Scanning distance
 40 ... 1000 mm
Photoelectric proximity sensor

- Sensitivity adjustable via Teach-in, single button
- Sturdy plastic housing
- Dovetail mounting
- M12 plug rotatable or cable

Dimensional drawing



Adjustments possible

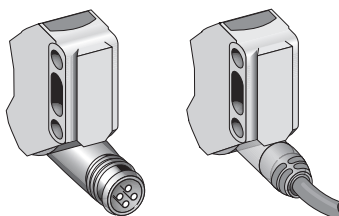


- 1 Optical axis sender
- 2 Optical axis receiver
- 3 LED indicator, green; power on
- 4 LED indicator, yellow; status of received light beam
- 5 Mounting hole \varnothing 4.2 mm
- 6 Sensitivity setting teach-in; single teach button
- 7 Connection, cable or plug M12

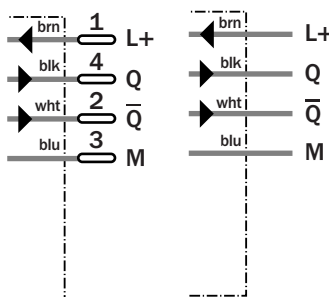


Connection types

WTE11-2N2432	WTE11-2N1132
WTE11-2P2432	WTE11-2P1132



M12, 4-pin 4 x 0.25 mm²



Accessories

Mounting systems
Connector, M12, 4-pin



	WTE11-2	N1132	N2432	P1132	P2432
Scanning distance max. typ.	40 ... 1.000 mm ¹⁾				
Operating distance	40 ... 600 mm ¹⁾				
Adjustment of operating distance	Teach-in; single teach button				
Light source, light type	LED, red light, 633 nm ²⁾				
Light spot diameter	Ø 90 mm at 600 mm distance				
Supply voltage V_S	10 ... 30 V DC ³⁾				
Residual ripple	≤ 5 V _{pp} ⁴⁾				
Current consumption	≤ 40 mA ⁵⁾				
	≤ 30 mA ⁵⁾				
Switching outputs	NPN antivalent				
	PNP antivalent				
Signal voltage PNP HIGH / LOW	> V _S - 2.5 V / approx. 0 V				
Signal voltage NPN HIGH / LOW	Approx. V _S / < 2.5 V				
Output current I _a max	100 mA				
Response time	≤ 2.5 ms ⁶⁾				
Switching frequency	200 Hz ⁷⁾				
Connection type	Cable, PVC, 2 m ⁸⁾				
	Connector, M12, 4-pin				

Circuit protection	V _S connections reverse-polarity protected/ Outputs short-circuit protected/ Interference suppression				
Enclosure rating	IP 66, IP 67				
Ambient temperature operation	-30 °C ... +60 °C				
Ambient temperature storage	-40 °C ... +75 °C				
Weight	Approx. 200 g				
	Approx. 120 g				
Housing material	ABS, PMMA				

1) Object with 90 % remission (based on standard white to DIN 5033)
2) Average service life 100,000 h at T_A = +25 °C

3) Limit values, operation in short-circuit protected network max. 8 A
4) May not exceed or fall short of V_S tolerances

5) Without load
6) Signal transit time with resistive load
7) With light/dark ratio 1:1
8) Do not bend below 0 °C

9) Reference voltage 50 V DC

Teach-in-function

■ **Programming via Teach-in button.**

■ **Simple programming:**

Position object in the beam and push the button: finished:
LED confirms the Teach-in procedure.

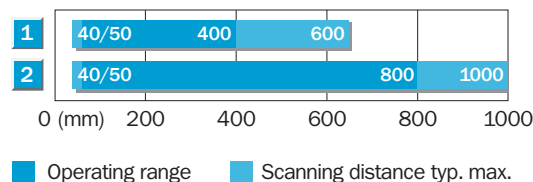
■ **Teach-in value can be stored.**

■ **Two operating modes:**

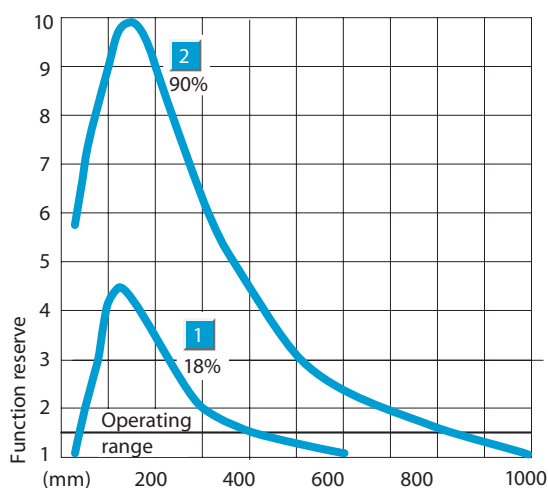
Default setting: short Teach-in time (< 8 s);

for standard applications;
approx. double reserve via switching threshold;
LED lights continuously.
Precise setting: long Teach-in time (> 8 s);
for precise applications;
small switching hysteresis;
LED blinks.


Scanning distance



- 1 Scanning distance on grey, 18 % remission
- 2 Scanning distance on white, 90 % remission

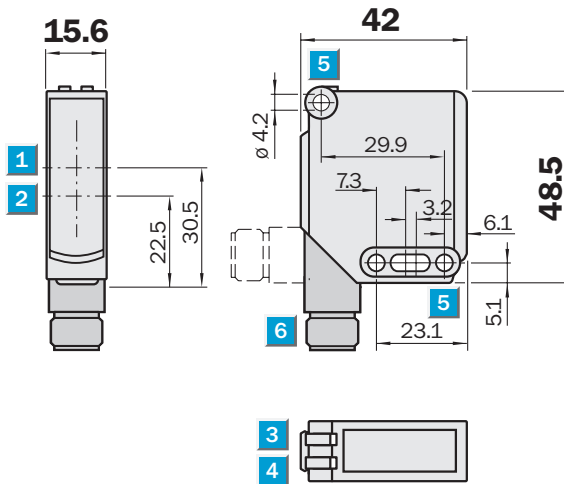


Order informationen	
Type	Order no.
WTE11-2N1132	1041384
WTE11-2N2432	1041383
WTE11-2P1132	1041382
WTE11-2P2432	1041381


Scanning range
0.15 ... 10 m
Photoelectric reflex sensor

- Sturdy plastic housing
- Dovetail mounting
- M12 plug rotatable or cable
- PinPoint Technology

Dimensional drawing



Adjustments possible

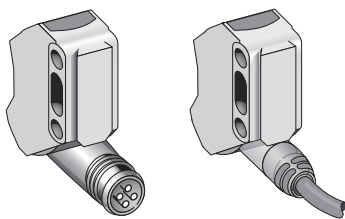


- 1 Optical axis sender
- 2 Optical axis receiver
- 3 LED indicator, green; power on
- 4 LED indicator, yellow; status of received light beam
- 5 Mounting hole \varnothing 4.2 mm
- 6 Connection, cable or plug M12

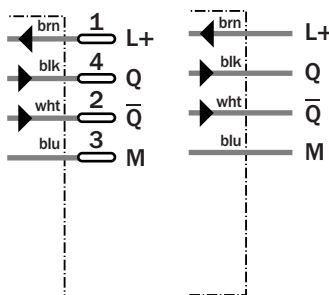


Connection types

WL11-2N2430	WL11-2N1130
WL11-2P2430	WL11-2P1130
WL11-2P2440	



M12, 4-pin 4 x 0.25 mm²



Accessories

Mounting systems
Reflectors
Connector, M12, 4-pin

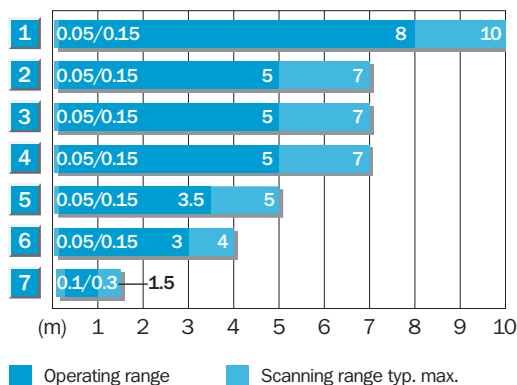
	WL11-2	N1130	N2430	P1130	P2430	P2440
Scanning range max. typ.	0.15 ... 10 m					
Scanning range, recommended	0.15 ... 8 m					
Relating to	Reflector PL80A					
Light source, light type	LED, red light, 640 nm ¹⁾					
Light spot diameter	Approx. 50 mm at 3 m distance					
Angle of dispersion	Approx. 2.2°					
Polarisation filter	✓					
Supply voltage V_S	10 ... 30 V DC ²⁾					
Residual ripple	≤ 5 V _{pp} ³⁾					
Current consumption	≤ 40 mA ⁴⁾					
	≤ 30 mA ⁴⁾					
Switching outputs	NPN antivalent					
	PNP antivalent					
Signal voltage PNP HIGH / LOW	> V _S - 2.5 V / approx. 0 V					
Signal voltage NPN HIGH / LOW	Approx. V _S / < 2.5 V					
Output current I _a max	100 mA					
Response time	2.5 ms ⁵⁾					
Switching frequency	200 Hz ⁶⁾					
Connection type	Cable, PVC, 2 m ⁷⁾					
	Connector, M12, 4-pin					
Circuit protection	V _S connections reverse-polarity protected/ Outputs short-circuit protected/ Interference suppression					
Enclosure rating	IP 66, IP 67, IP 69K					
Ambient temperature operation	-30 °C ... +60 °C					
Ambient temperature storage	-40 °C ... +75 °C					
Weight	Approx. 200 g					
	Approx. 120 g					
Housing material	ABS, PMMA					

1) Average service life 100,000 h at T_A = +25 °C
 2) Limit values, operation in short-circuit protected network max. 8 A

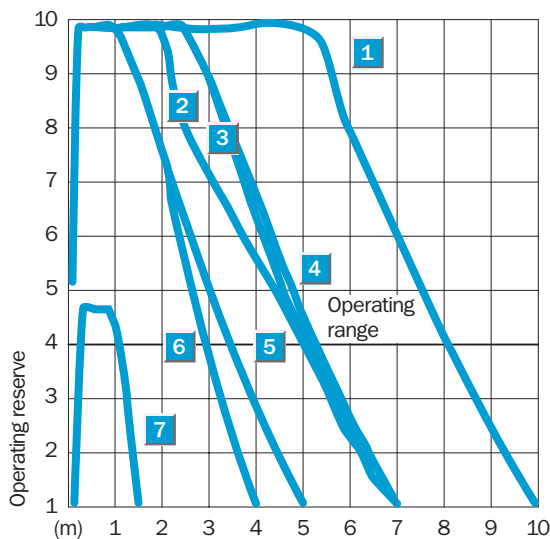
3) May not exceed or fall short of V_S tolerances
 4) Without load
 5) Signal transit time with resistive load

6) With light/dark ratio 1:1
 7) Do not bend below 0 °C
 8) Reference voltage 50 V DC


Scanning distance



Reflector type	Operating range
1 PL80A	0.15 ... 8.0 m
2 C110A	0.15 ... 5.0 m
3 PL50A	0.15 ... 5.0 m
4 PL40A	0.15 ... 5.0 m
5 PL30A	0.15 ... 3.5 m
6 PL20A	0.15 ... 3.0 m
7 Reflective tape Diamond Grade	0.3 ... 1.0 m

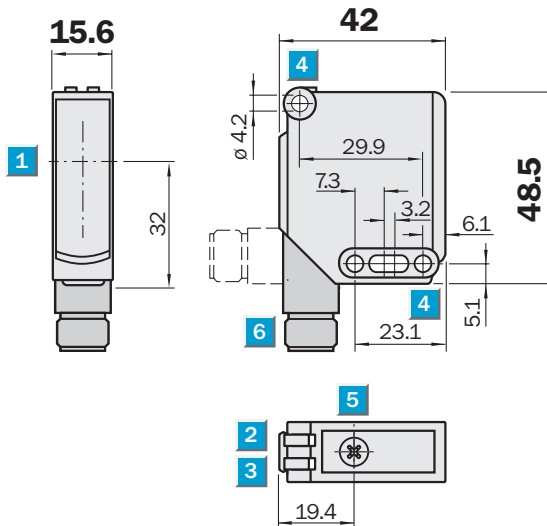


Order informationen	
Type	Order no.
WL11-2N1130	1041388
WL11-2N2430	1041387
WL11-2P1130	1041386
WL11-2P2430	1041385
WL11-2P2440	1041389

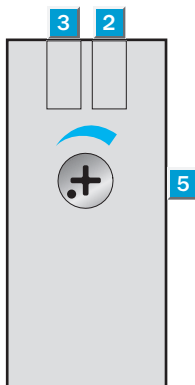

Scanning range
0 ... 4 m
Photoelectric reflex sensor

- Detection of glass and transparent films
- Attenuation > 8 %
- Sturdy plastic housing
- Dovetail mounting
- M12 plug rotatable

Dimensional drawing



Adjustments possible

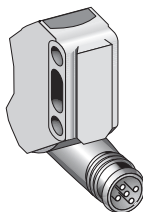


- 1 Center of optical axis
- 2 LED indicator, green; power on
- 3 LED indicator, yellow; status of received light beam
- 4 Mounting hole Ø 4.2 mm
- 5 Sensitivity control: Potentiometer
- 6 Connection, plug M12

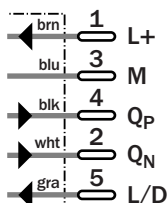


Connection type

WL11G-2B2531



M12, 5-pin



Accessories

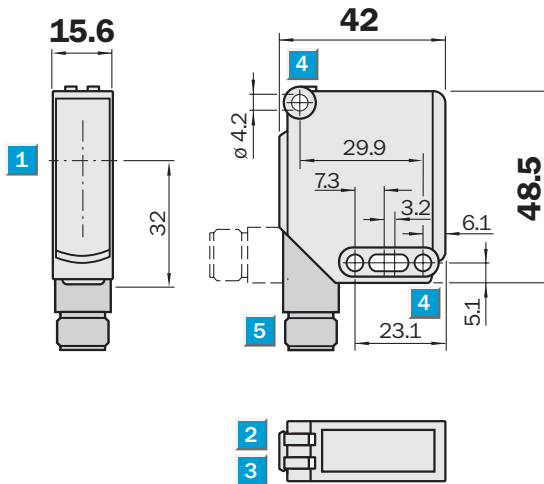
- Mounting systems
- Reflectors
- Connector, M12, 5-pin

Scanning range
0 ... 20 m

Through-beam photoelectric sensor

- Sturdy plastic housing
- Dovetail mounting
- M12 plug rotatable or cable

Dimensional drawing



Adjustments possible



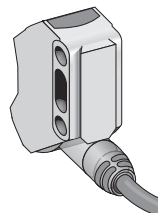
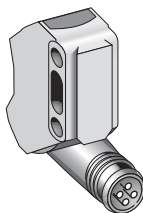
- 1 Center of optical axis
- 2 LED indicator, green; power on
- 3 LED indicator, yellow; status of received light beam
- 4 Mounting hole $\varnothing 4.2$ mm
- 5 Connection, cable or plug M12



Connection types

WSE11-2N2430
WSE11-2P2430

WSE11-2N1130
WSE11-2P1130

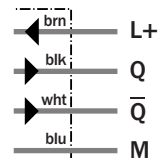
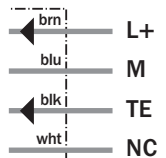
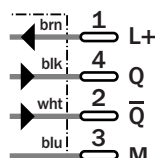
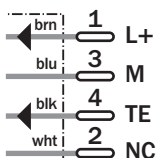


M12, 4-pin
Sender

Receiver

4 x 0.25 mm²
Sender

Receiver



CE **ECOLAB**

UL Class2

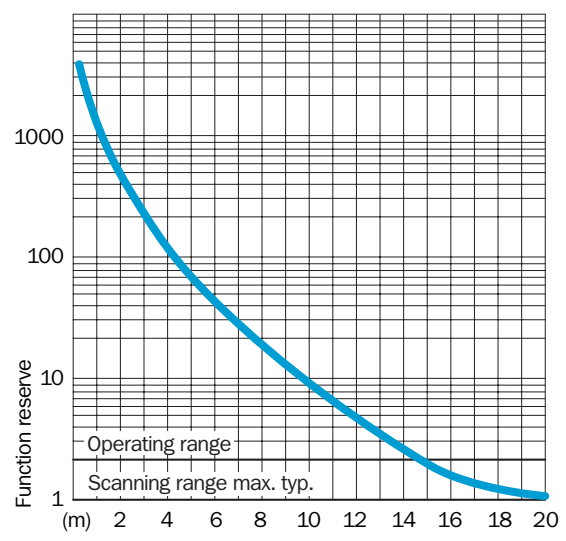
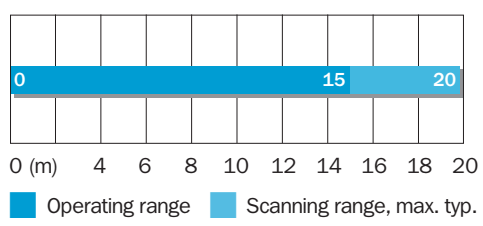
Accessories

Mounting systems
Connector, M12, 4-pin

	WSE11-2	N1130	N2430	P1130	P2430						
Scanning range max. typ.	0 ... 20 m										
Scanning range, recommended	0 ... 15 m										
Light source, light type	LED, red light, 633 nm ¹⁾										
Light spot diameter	Ø 220 mm at 15 m distance										
Angle of dispersion	Approx. 1.5°										
Supply voltage V_S	10 ... 30 V DC ²⁾										
Residual ripple	≤ 5 V _{pp} ³⁾										
Current consumption	WS ≤ 25 mA ⁴⁾ WE ≤ 20 mA ⁴⁾										
Switching outputs	NPN antivalent										
	PNP antivalent										
Signal voltage PNP HIGH / LOW	> V _S - 2.5 V / approx. 0 V										
Signal voltage NPN HIGH / LOW	Approx. V _S / < 2.5 V										
Output current I _a max	100 mA										
Response time	2.5 ms ⁵⁾										
Switching frequency	200 Hz ⁶⁾										
Test input sender off	TE to 0 V										
Connection type	Cable, PVC, 2 m ⁷⁾										
	Connector, M12, 4-pin										
Circuit protection	V _S connections reverse-polarity protected/ Outputs short-circuit protected/ Interference suppression										
Enclosure rating	IP 66, IP 67, IP 69K										
Ambient temperature operation	-30 °C ... +60 °C										
Ambient temperature storage	-40 °C ... +75 °C										
Weight	Approx. 200 g										
	Approx. 120 g										
Housing material	ABS, PMMA										

1) Average service life 100,000 h at T_A = +25 °C
 2) Limit values, operation in short-circuit
 3) May not exceed or fall short of V_S tolerances
 4) Without load
 5) Signal transit time with resistive load
 6) With light/dark ratio 1:1
 7) Do not bend below 0 °C
 8) Reference voltage 50 V DC

Scanning distance



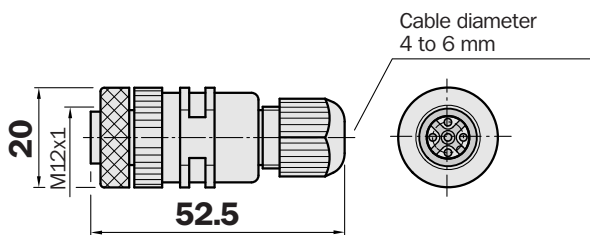
Order informationen	
Type	Order no.
WSE11-2N1130	1041397
WSE11-2N2430	1041396
WSE11-2P1130	1041395
WSE11-2P2430	1041394

Dimensional drawings and order information

SENSICK screw-in system M12, 4/5 pin, enclosure rating IP 67

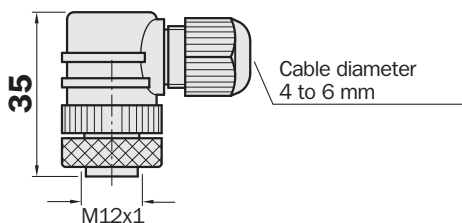
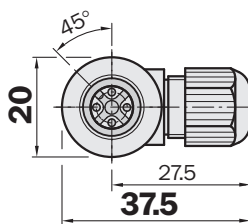
M12 cable receptacles, 4/5 pin, straight

Type	Order no.	Contacts
DOS-1204-G	6007302	4
DOS-1205-G	6009719	5



M12 cable receptacles, 4/5 pin, angled

Type	Order no.	Contacts
DOS-1204-W	6007303	4
DOS-1205-W	6009720	5



M12 cable receptacles, 4/5 pin, straight

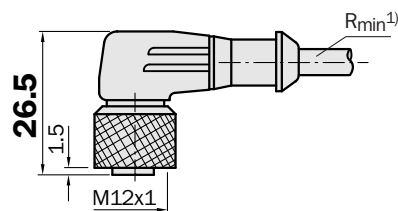
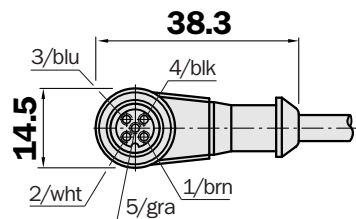
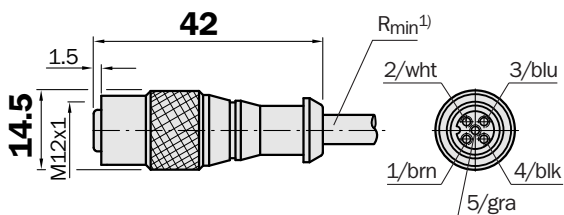
Cable diameter 5/6 mm, 4/5 x 0.25 mm², PVC coating

Type	Order no.	Contacts	Cable length
DOL-1204-G02M	6009382	4	2 m
DOL-1204-G05M	6009866	4	5 m
DOL-1204-G10M	6010543	4	10 m
DOL-1204-G15M	6010753	4	15 m
DOL-1205-G02M	6008899	5	2 m
DOL-1205-G05M	6009868	5	5 m
DOL-1205-G10M	6010544	5	10 m
DOL-1205-G15M	6029215	5	15 m

M12 cable receptacles, 4/5 pin, angled

Cable diameter 5/6 mm, 4/5 x 0.25 mm², PVC coating

Type	Order no.	Contacts	Cable length
DOL-1204-W02M	6009383	4	2 m
DOL-1204-W05M	6009867	4	5 m
DOL-1204-W10M	6010541	4	10 m
DOL-1204-W15M	6036474	4	15 m
DOL-1205-W02M	6008900	5	2 m
DOL-1205-W05M	6009869	5	5 m
DOL-1205-W10M	6010542	5	10 m



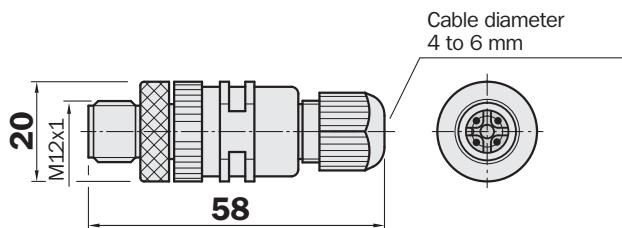
¹⁾ Minimum bend radius with dynamic use
R_{min} = 20 x cable diameter

Dimensional drawings and order information

SENSICK screw-in system M12, 4-/5-pin, enclosure rating IP 67

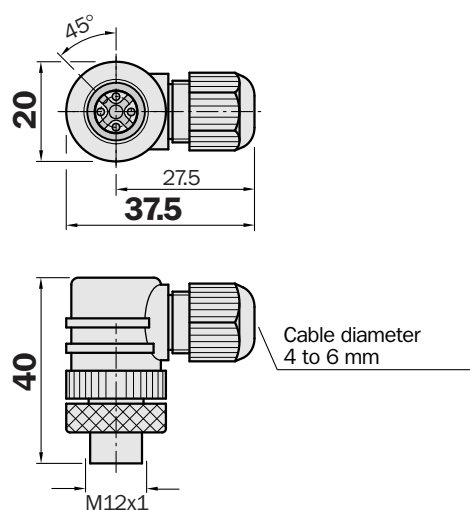
M12 cable receptacles, 4/5 pin, straight, terminal screwed

Type	Order no.	Contacts
STE-1204-G	6009932	4
STE-1205-G	6022083	5



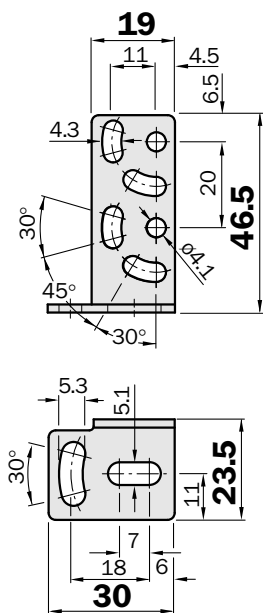
M12 cable receptacles, 4 pin, angled, terminal screwed

Type	Order no.	Contacts
STE-1204-W	6022084	4
STE-1205-W	6022082	5



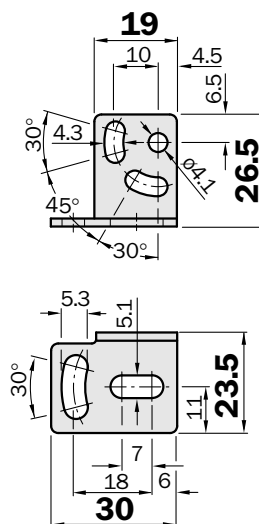
Mounting bracket, stainless steel, large

Type	Order no.	For equipment type
BEF-WG-W12	2013942	W11-2, W12-3, W12L-2, KT2



Mounting bracket, stainless steel, small

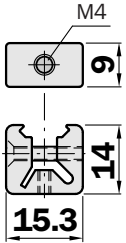
Type	Order no.	For equipment type
BEF-WK-W12	2012938	W11-2, W12-3, W12L-2, KT2



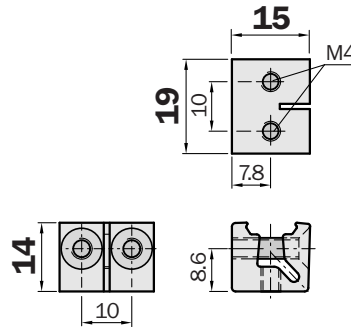
Dimensional drawings and order information

Clamp		
Type	Order no.	For equipment type
BEF-KH-W12	2013285	W11-2, W12-3, W12L-2, KT2

Double clamp	
Type	Order no.
BEF-DKH-W12	2013947



Countersunk screw M4 x 15 mm included with delivery



2 Countersunk screws M4 x 15 mm included with delivery

Universal bracket for rod mounting for sensors und reflectors

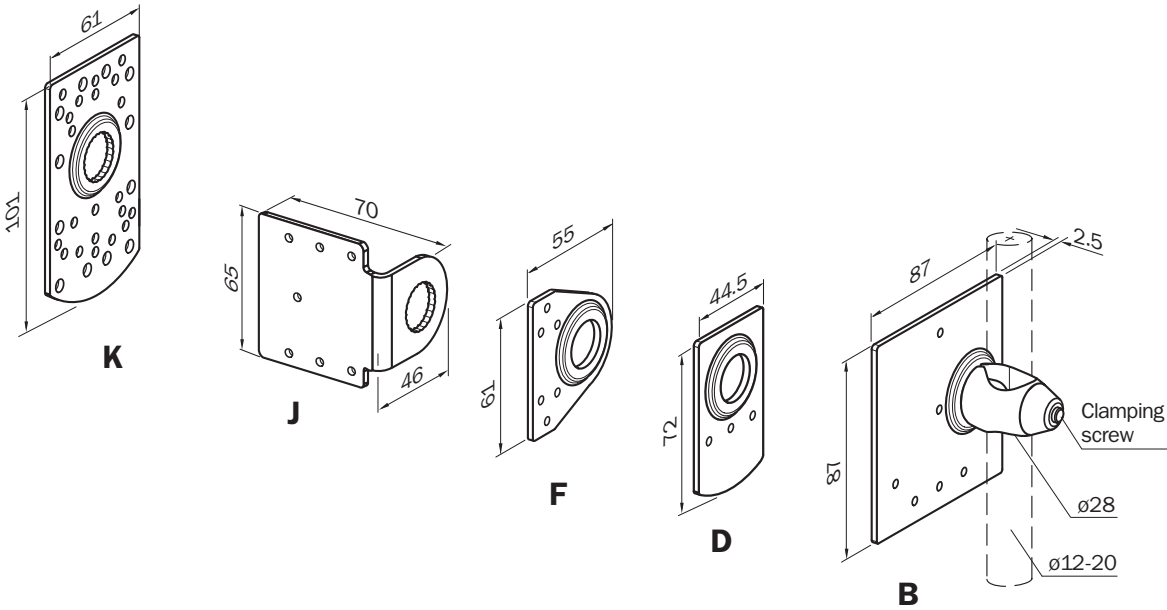


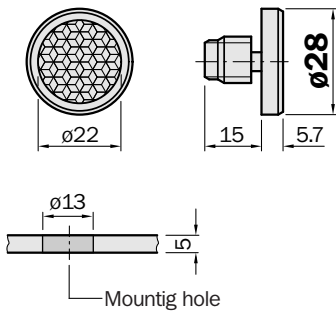
Plate	Type	Order no. ¹⁾	Sensors/reflectors
B	BEF-KHS-B01	2022459	P250, PL30A, PL40A, PL50A, PL80A, C110A, P250F
D	BEF-KHS-D01	2022461	W11-2, W12-3, W12L-2, KT2, UC12, DT2
F	BEF-KHS-F01	2022463	PL20A, P250, P250F
J	BEF-KHS-J01	2022719	PL20A, PL40A, PL50A, P250, C110A, P250F
K	BEF-KHS-K01	2022718	W11-2, W12-3, W12L-2, W14-2, W18-3, W23-2, W24-2, W27-3, KT2, DT2, PL20A, PL30A, PL40A, PL50A, PL80A, P250, C110A

¹⁾ Universal bracket and mounting screws included

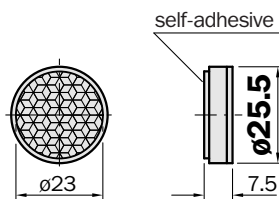
Dimensional drawings and order information

Plastic model for temperatures up to 65 °C

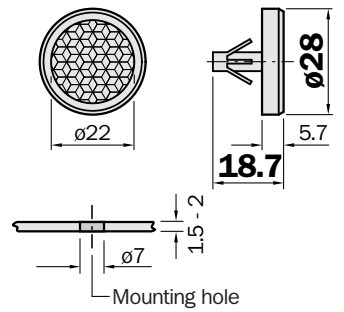
Reflector, ϕ 22 mm, pluggable	
Type	Order no.
PL22-1	1003546



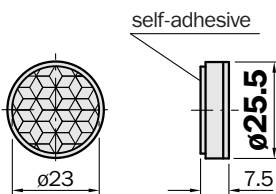
Reflector, ϕ 23 mm, self-adhesive	
Type	Order no.
PL22-2	1003621



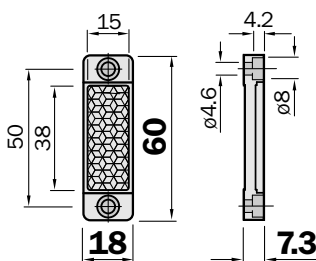
Reflector, ϕ 22 mm Pluggable for orifice	
Type	Order no.
PL22-3	1004488



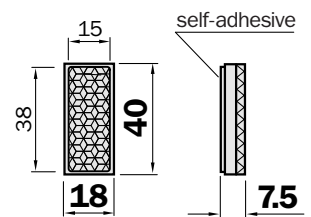
Reflector, ϕ 23 mm, self-adhesive	
Type	Order no.
PL26	1001440



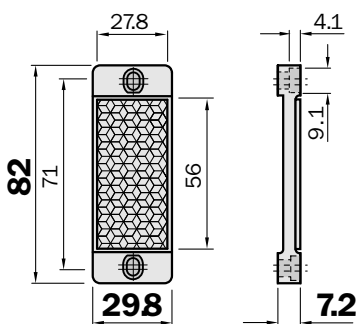
Reflector 20 x 40 mm	
Type	Order no.
PL20A	1012719



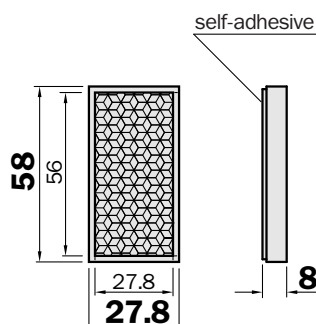
Reflector 20 x 40 mm Self-adhesive	
Type	Order no.
PL21A	1015172



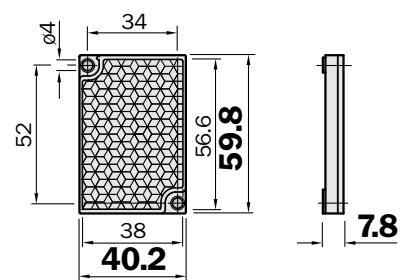
Reflector 30 x 50 mm	
Type	Order no.
PL30A	1002314



Reflector 30 x 50 mm Self-adhesive	
Type	Order no.
PL31A	1002315



Reflector 40 x 60 mm Self-adhesive	
Type	Order no.
PL40A	1012720



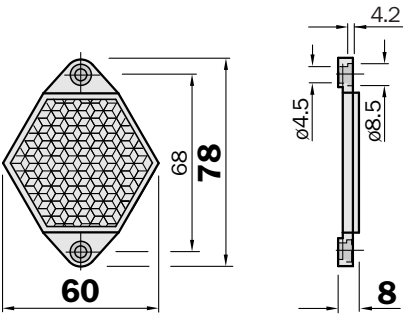
Dimensional drawings and order information

Plastic model for temperatures up to 65 °C

Reflector, hexagonal

Opening width 48 mm

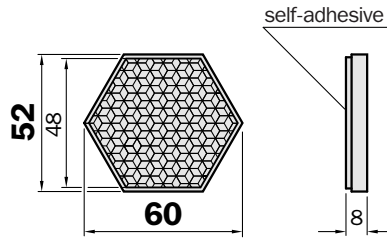
Type	Order no.
PL50A	1000132



Reflector, hexagonal, self-adhesive

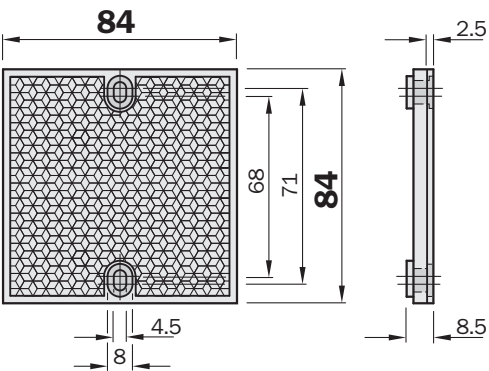
Opening width 48 mm

Type	Order no.
PL51A	1001628



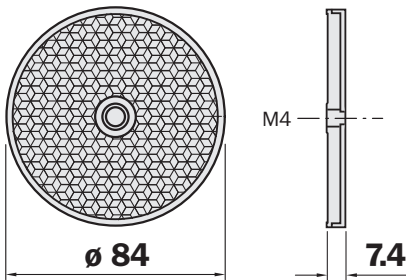
Reflector 80 x 80 mm

Type	Order no.
PL80A	1003865



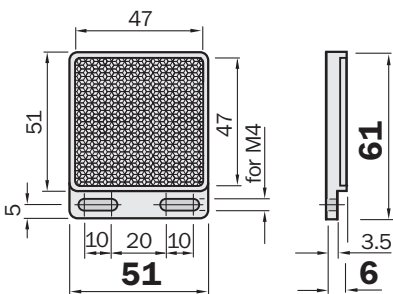
Reflector, \varnothing 84 mm, center hole mounting

Type	Order no.
C110A	5304549



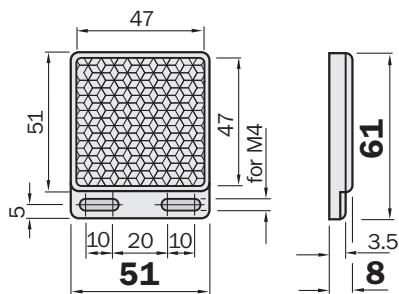
Micro triple reflector 47 x 47 mm

Type	Order no.
P250F	5308843



Reflector 47 x 47 mm²

Type	Order no.
P250	5304812

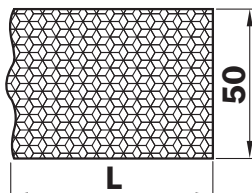
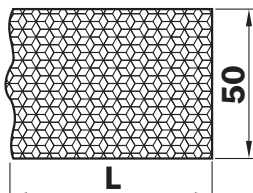


Dimensional drawings and order information

Self-adhesive reflective tape for photoelectric sensors with polarizing filter

Reflective tape	
Sheet 749 x 914 mm	
Type	Order no.
REF-DG (983)	5320565

Reflective tape REF-DG	
Ready-made	
Type	Order no.
REF-DG-K	4019634



Australia

Phone +61 3 9497 4100
1800 33 48 02 – tollfree
E-Mail sales@sick.com.au

Belgium/Luxembourg

Phone +32 (0)2 466 55 66
E-Mail info@sick.be

Brasil

Phone +55 11 3215-4900
E-Mail sac@sick.com.br

Ceská Republika

Phone +420 2 57 91 18 50
E-Mail sick@sick.cz

China

Phone +852-2763 6966
E-Mail ghk@sick.com.hk

Danmark

Phone +45 45 82 64 00
E-Mail sick@sick.dk

Deutschland

Phone +49 211 5301-301
E-Mail kundenservice@sick.de

España

Phone +34 93 480 31 00
E-Mail info@sick.es

France

Phone +33 1 64 62 35 00
E-Mail info@sick.fr

Great Britain

Phone +44 (0)1727 831121
E-Mail info@sick.co.uk

India

Phone +91-22-4033 8333
E-Mail info@sick-india.com

Israel

Phone +972-4-999-0590
E-Mail info@sick-sensors.com

Italia

Phone +39 02 27 43 41
E-Mail info@sick.it

Japan

Phone +81 (0)3 3358 1341
E-Mail support@sick.jp

Nederlands

Phone +31 (0)30 229 25 44
E-Mail info@sick.nl

Norge

Phone +47 67 81 50 00
E-Mail austefjord@sick.no

Österreich

Phone +43 (0)22 36 62 28 8-0
E-Mail office@sick.at

Polska

Phone +48 22 837 40 50
E-Mail info@sick.pl

Republic of Korea

Phone +82-2 786 6321/4
E-Mail info@sickkorea.net

Republika Slovenija

Phone +386 (0)1-47 69 990
E-Mail office@sick.si

România

Phone +40 356 171 120
E-Mail office@sick.ro

Russia

Phone +7 495 775 05 34
E-Mail info@sick-automation.ru

Schweiz

Phone +41 41 619 29 39
E-Mail contact@sick.ch

Singapore

Phone +65 6744 3732
E-Mail admin@sicksgp.com.sg

Suomi

Phone +358-9-25 15 800
E-Mail sick@sick.fi

Sverige

Phone +46 10 110 10 00
E-Mail info@sick.se

Taiwan

Phone +886 2 2375-6288
E-Mail sales@sick.com.tw

Türkiye

Phone +90 216 587 74 00
E-Mail info@sick.com.tr

United Arab Emirates

Phone +971 4 8865 878
E-Mail info@sick.ae

USA/Canada/México

Phone +1(952) 941-6780
1 800-325-7425 – tollfree
E-Mail info@sickusa.com

More representatives and agencies
in all major industrial nations at
www.sick.com