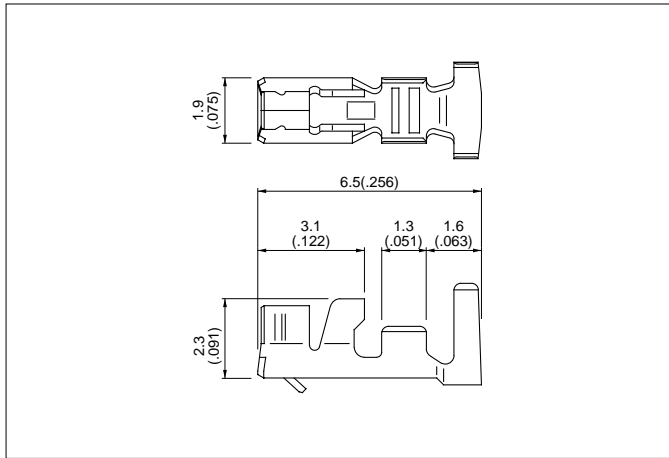


# XA CONNECTOR

## Contact



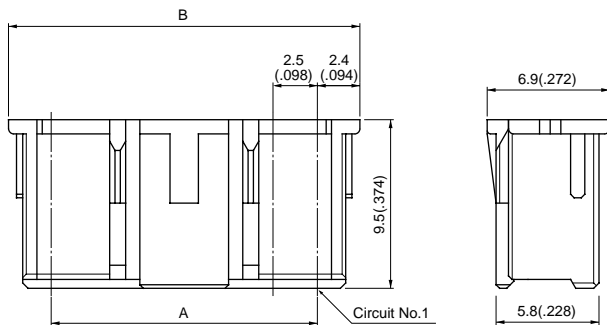
Model No.	Applicable wire			Q'ty / reel
	mm <sup>2</sup>	AWG#	Insulation O.D. mm(in.)	
<b>BXA-001T-P0.6</b>	0.08 to 0.33	28 to 22	1.2 to 1.9(.047 to .075)	8,000
<b>BXA- 01T-P0.6</b>	0.22 to 0.5	24 to 20	1.5 to 1.9(.059 to .075)	8,000
<b>BXA-001T-P0.6L</b>	0.13 to 0.33	26 to 22	1.3 to 1.7(.051 to .067)	8,000

### Material and Finish

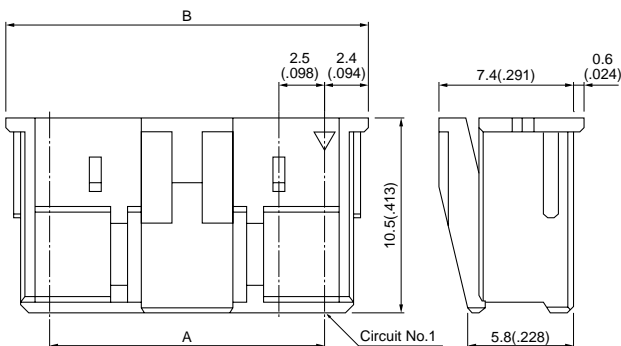
Phosphor bronze, tin-plated

## Housing

### <Standard type>



### <Retainer mountable type>



Cir- cuits	Model No.		Dimensions mm(in.)		Q'ty / bag	
	Standard type	Retainer mountable type	A	B	Standard type	Retainer mountable type
2	<b>XAP-02V-1</b>	<b>XARP-02V</b>	2.5( .098)	7.3( .287)	1,000	1,000
3	<b>XAP-03V-1</b>	<b>XARP-03V</b>	5.0( .197)	9.8( .386)	1,000	1,000
4	<b>XAP-04V-1</b>	<b>XARP-04V</b>	7.5( .295)	12.3( .484)	1,000	1,000
5	<b>XAP-05V-1</b>	<b>XARP-05V</b>	10.0( .394)	14.8( .583)	1,000	1,000
6	<b>XAP-06V-1</b>	<b>XARP-06V</b>	12.5( .492)	17.3( .681)	1,000	1,000
7	<b>XAP-07V-1</b>	<b>XARP-07V</b>	15.0( .591)	19.8( .780)	1,000	1,000
8	<b>XAP-08V-1</b>	<b>XARP-08V</b>	17.5( .689)	22.3( .878)	1,000	1,000
9	<b>XAP-09V-1</b>	<b>XARP-09V</b>	20.0( .787)	24.8( .976)	1,000	1,000
10	<b>XAP-10V-1</b>	<b>XARP-10V</b>	22.5( .886)	27.3(1.075)	1,000	1,000
11	<b>XAP-11V-1</b>	<b>XARP-11V</b>	25.0( .984)	29.8(1.173)	1,000	1,000
12	<b>XAP-12V-1</b>	<b>XARP-12V</b>	27.5(1.083)	32.3(1.272)	1,000	1,000
13	<b>XAP-13V-1</b>	<b>XARP-13V</b>	30.0(1.181)	34.8(1.370)	1,000	1,000
14	<b>XAP-14V-1</b>	<b>XARP-14V</b>	32.5(1.280)	37.3(1.469)	500	1,000
15	<b>XAP-15V-1</b>	<b>XARP-15V</b>	35.0(1.378)	39.8(1.567)	500	1,000
20	<b>XAP-20V-1</b>	—	47.5(1.870)	52.3(2.059)	500	—

### Material

Nylon 66, UL94V-0, natural (white)