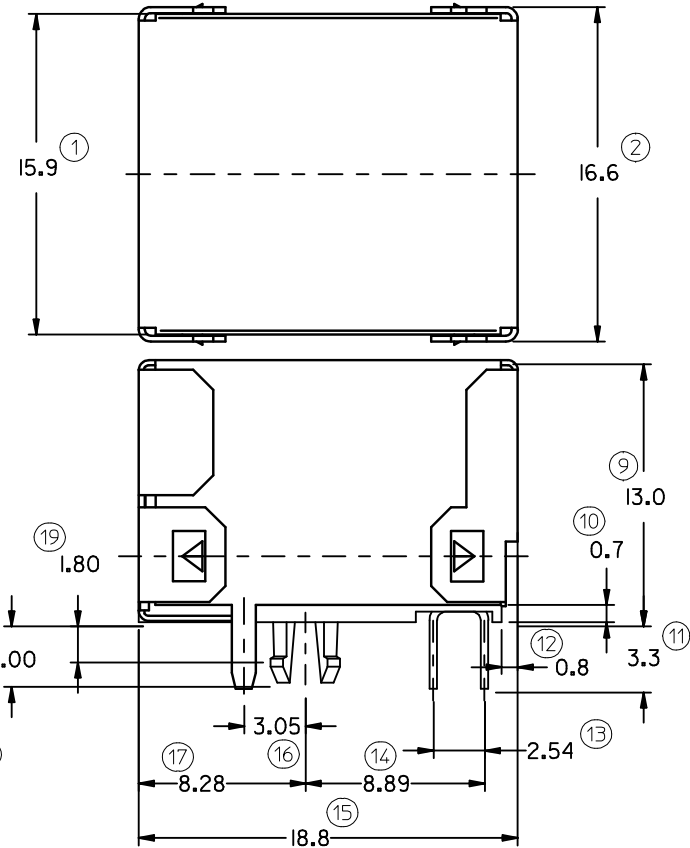
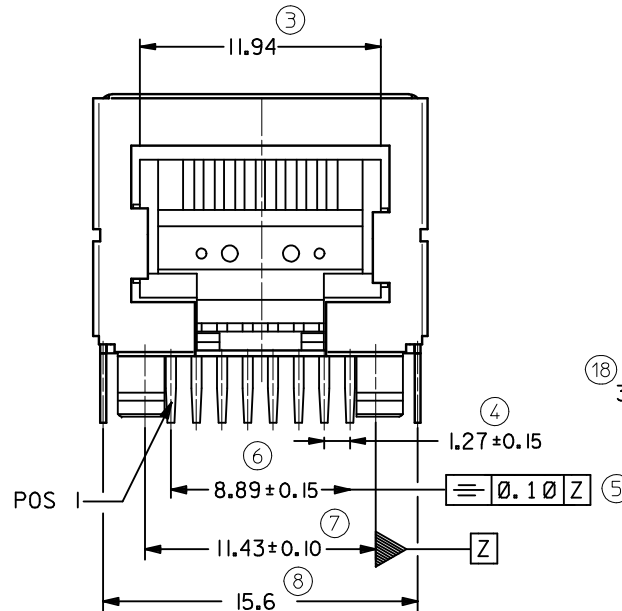
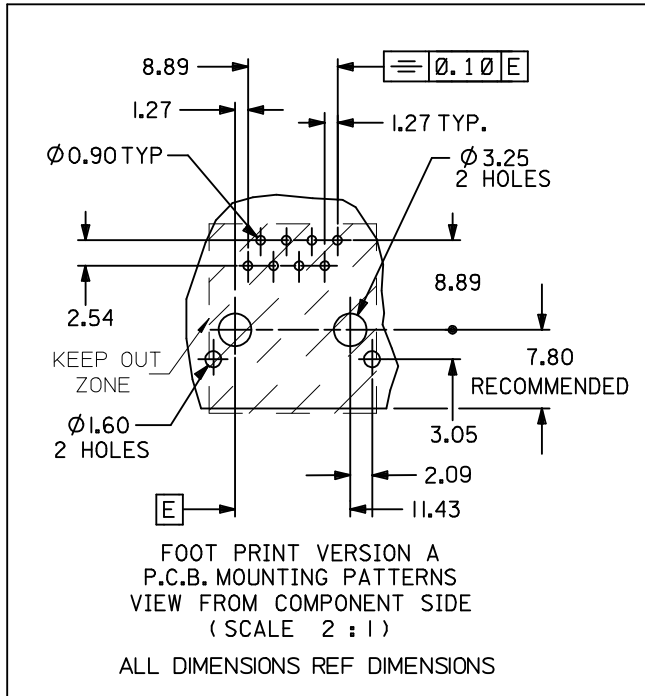


TECHNICAL SPECIFICATIONS:

I- MATERIAL :

HOUSING: LCP GLASS FILLED UL 94VO COLOR BLACK
 TERMINAL : PHOSPHOR BRONZE PLATED WITH:
 BASE FINISH: NICKEL
 CONTACT SURFACE FINISH:
 GOLD
 OR
 GOLD FLASH OVER PALLADIUM NICKEL.
 EXCEEDS PRODUCT REQUIREMENTS BASED ON PS-85543-002
 SHIELD : BRASS PLATED WITH 0.0020 MIN. TIN

ENG.N°.	FOOTPRINT VERSION	HOUSING SIZE	LOADED CKTS	PANEL GROUND	TOOLED	PACKAGING SPEC. TUBE PACKAGING.
85505-5113	A	8	8	NO	YES	PK-95122-006



NOTES:

- 1- JACK FOR MATING WITH SHIELDED PLUG MOLEX 95043 AND 85568 SERIES.
- 2- PRODUCT SPECIFICATION: MOLEX PS- 85543-002
- 3- APPLICATION SPECIFICATION: MOLEX AS-85513-001
- 4- PACKAGING SPECIFICATION: SEE CHART
- 5- P.C. BOARD THICKNESS : 1.57
- 6- EXCEEDS CATEGORY 5E PERFORMANCE.

LAST INSPECTION NUMBER: 19

CHANGED PRODUCT SPECIFICATION:	EC NO:	DRWING BY/REV	DESCRIPTION	QUALITY SYMBOLS	GENERAL TOLERANCES (UNLESS SPECIFIED)		DIMENSION STYLE		SCALE	DESIGN UNITS	THIRD ANGLE PROJECTION	
					mm	INCH	MM ONLY	4:1	METRIC	⊙	∇	THIRD ANGLE
IPG2013-1149	2013/02/13	DRWING BY/REV	DESCRIPTION	▽=0	4 PLACES	± ---	± ---	DRAWN BY	DATE	TITLE	HIGH SPEED MODULAR JACK R/A FULLY SHIELDED THROUGH HOLE - VERSION A	
IPG2013-1149	2013/02/14	CHKD:MSHANAHAN	2013/02/14	∇=0	3 PLACES	± ---	± ---	CHECKED BY	DATE		MOLEX INCORPORATED	
IPG2013-1149	2013/02/26	APPR:STGRIFFIN	2013/02/26		2 PLACES	± 0.25	± ---	APPROVED BY	DATE		DOCUMENT NO. SD-85505-106	
					1 PLACE	± 0.35	± ---	KNOLLER	2005/03/08		SHEET NO. 1 OF 1	
					ANGULAR ± 2 °			MATERIAL NO.		SEE CHART		
					DRAFT WHERE APPLICABLE MUST REMAIN WITHIN DIMENSIONS			SIZE A3		THIS DRAWING CONTAINS INFORMATION THAT IS PROPRIETARY TO MOLEX INCORPORATED AND SHOULD NOT BE USED WITHOUT WRITTEN PERMISSION		