

FAN6300A / FAN6300H

Highly Integrated Quasi-Resonant Current Mode PWM Controller

Features

- High-Voltage Startup
- Quasi-Resonant Operation
- Cycle-by-Cycle Current Limiting
- Peak-Current-Mode Control
- Leading-Edge Blanking (LEB)
- Internal Minimum t_{OFF}
- Internal 5ms Soft-Start
- Over Power Compensation
- GATE Output Maximum Voltage
- Auto-Recovery Over-Current Protection (FB Pin)
- Auto-Recovery Open-Loop Protection (FB Pin)
- VDD Pin and Output Voltage (DET Pin) OVP Latched
- Low Frequency Operation (below 100kHz) for FAN6300A
- High Frequency Operation (up to 190kHz) for FAN6300H

Applications

- AC/DC NB Adapters
- Open-Frame SMPS

Description


The highly integrated FAN6300A/H of PWM controller provides several features to enhance the performance of flyback converters. FAN6300A is applied on quasi-resonant flyback converters where maximum operating frequency is below 100kHz. FAN6300H is suitable for high-frequency operation (up to 190kHz). A built-in HV startup circuit can provide more startup current to reduce the startup time of the controller. Once the V_{DD} voltage exceeds the turn-on threshold voltage, the HV startup function is disabled immediately to reduce power consumption. An internal valley voltage detector ensures power system operates at quasi-resonant operation over a wide-range of line voltage and any load conditions, as well as reducing switching loss to minimize switching voltage on drain of power MOSFET.

To minimize standby power consumption and light-load efficiency, a proprietary green-mode function provides off-time modulation to decrease switching frequency and perform extended valley voltage switching to keep to a minimum switching voltage. The operating frequency is limited by minimum t_{off} time, which is 38 μ s to 8 μ s in FAN6300A and 13 μ s to 3 μ s in FAN6300H, so FAN6300H can operate at higher switching frequency than FAN6300A.

FAN6300A/H controller also provides many protection functions. Pulse-by-pulse current limiting ensures the fixed-peak current limit level, even when a short circuit occurs. Once an open-circuit failure occurs in the feedback loop, the internal protection circuit disables PWM output immediately. As long as V_{DD} drops below the turn-off threshold voltage, the controller also disables PWM output. The gate output is clamped at 18V to protect the power MOS from high gate-source voltage conditions. The minimum t_{OFF} time limit prevents the system frequency from being too high. If the DET pin triggers OVP, internal OTP is triggered and the power system enters latch-mode until AC power is removed.

The FAN6300A/H controller is available in the 8-pin Small Outline Package (SOP) and the Dual Inline Package (DIP).

Ordering Information

| Part Number |  Eco Status | Operating Temperature Range | Package | Packing Method |
|-------------|--|-----------------------------|-------------------------------------|----------------|
| FAN6300AMY | Green | -40°C to +125°C | 8-Lead, Small Outline Package (SOP) | Tape & Reel |
| FAN6300HMY | Green | -40°C to +125°C | 8-Lead, Small Outline Package (SOP) | Tape & Reel |
| FAN6300ANY | Green | -40°C to +125°C | 8-Lead, Dual In-line Package (DIP) | Tube |
| FAN6300HNY | Green | -40°C to +125°C | 8-Lead, Dual In-line Package (DIP) | Tube |

 For Fairchild's definition of Eco Status, please visit: http://www.fairchildsemi.com/company/green/rohs_green.html

Application Diagram

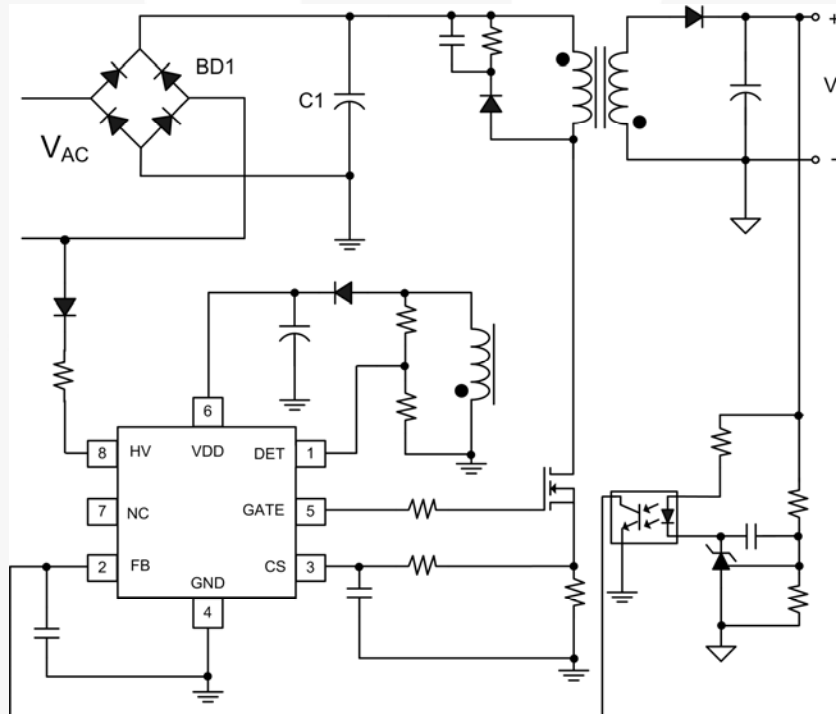


Figure 1. Typical Application

Internal Block Diagram

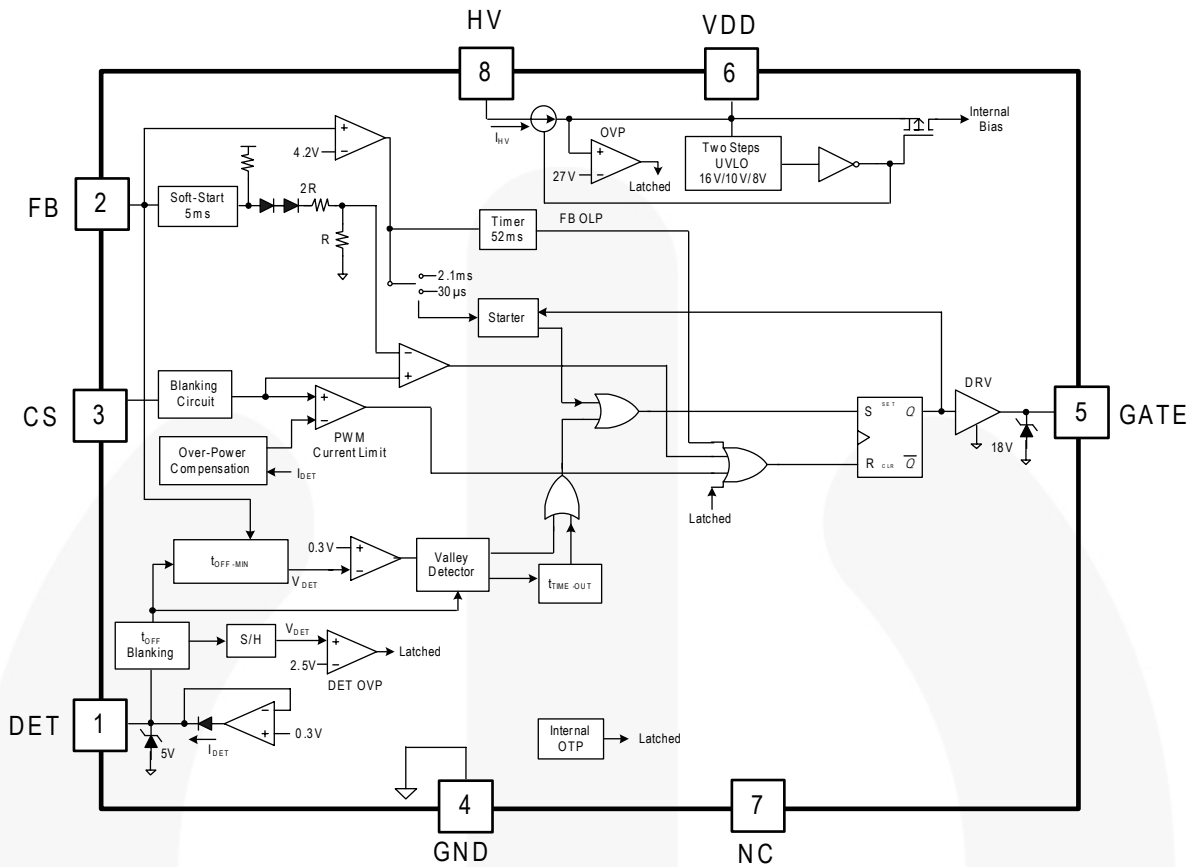
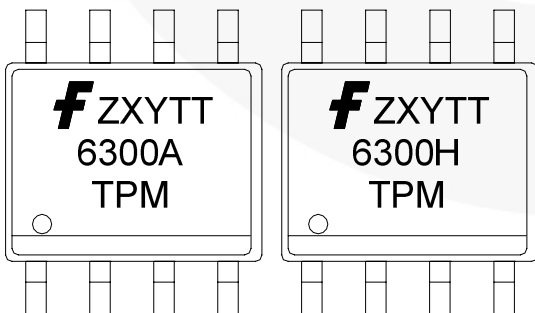


Figure 2. Functional Block Diagram

Marking Information



- f**: Fairchild Logo
- Z**: Plant Code
- X**: Year Code
- Y**: Week Code
- TT**: Die Run Code
- T**: Package Type (N = DIP, M = SOP)
- P**: Y = Green Package
- M**: Manufacturing Flow Code

Figure 3. Marking Diagram

Pin Configuration

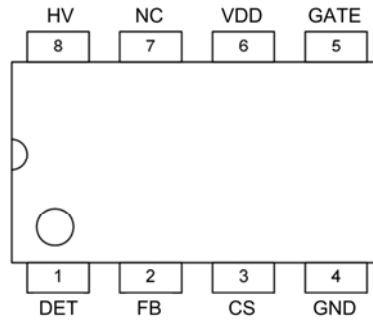


Figure 4. Pin Configuration

Pin Definitions

| Pin # | Name | Description |
|-------|------|--|
| 1 | DET | <p>This pin is connected to an auxiliary winding of the transformer via resistors of the divider for the following purposes:</p> <ul style="list-style-type: none"> – Generates a ZCD signal once the secondary-side switching current falls to zero. – Produces an offset voltage to compensate the threshold voltage of the peak current limit to provide a constant power limit. The offset is generated in accordance with the input voltage when PWM signal is enabled. – Detects the valley voltage of the switching waveform to achieve the valley voltage switching and minimize the switching losses. <p>A voltage comparator and a 2.5V reference voltage develop a output OVP protection. The ratio of the divider decides what output voltage to stop gate, as an optical coupler and secondary shunt regulator are used.</p> |
| 2 | FB | <p>The feedback pin should to be connected to the output of the error amplifier for achieving the voltage control loop. The FB should be connected to the output of the optical coupler if the error-amplifier is equipped at the secondary-side of the power converter.</p> <p>For the primary-side control application, FB is applied to connect a RC network to the ground for feedback-loop compensation.</p> <p>The input impedance of this pin is a 5kΩ equivalent resistance. A 1/3 attenuator connected between the FB and the PWM circuit is used for the loop-gain attenuation. FAN6300A/H performs an open-loop protection once the FB voltage is higher than a threshold voltage (around 4.2V) more than 55ms.</p> |
| 3 | CS | Input to the comparator of the over-current protection. A resistor senses the switching current and the resulting voltage is applied to this pin for the cycle-by-cycle current limit. |
| 4 | GND | The power ground and signal ground. A 0.1μF decoupling capacitor placed between VDD and GND is recommended. |
| 5 | GATE | Totem-pole output generates the PWM signal to drive the external power MOSFET. The clamped gate output voltage is 18V. |
| 6 | VDD | Power supply. The threshold voltages for startup and turn-off are 16V and 10V, respectively. The startup current is less than 20μA and the operating current is lower than 4.5mA. |
| 7 | NC | No connect |
| 8 | HV | High-voltage startup. |

Absolute Maximum Ratings

Stresses exceeding the absolute maximum ratings may damage the device. The device may not function or be operable above the recommended operating conditions and stressing the parts to these levels is not recommended. In addition, extended exposure to stresses above the recommended operating conditions may affect device reliability. The absolute maximum ratings are stress ratings only.

| Symbol | Parameter | Min. | Max. | Unit |
|------------------|--|-------|------|------|
| V _{DD} | DC Supply Voltage | | 30 | V |
| V _{HV} | HV | | 500 | V |
| V _H | GATE | -0.3 | 25.0 | V |
| V _L | V _{FB} , V _{CS} , V _{DET} | -0.3 | 7.0 | V |
| P _D | Power Dissipation | SOP-8 | 400 | mW |
| | | DIP-8 | 800 | |
| T _J | Operating Junction Temperature | | +150 | °C |
| T _{STG} | Storage Temperature Range | -55 | +150 | °C |
| T _L | Lead Temperature (Soldering 10 Seconds) | | +270 | °C |
| ESD | Human Body Model, JEDEC:JESD22-A114 | | 3.0 | KV |
| | Charged Device Model, JEDEC:JESD22-C101 | | 1.5 | |

Notes:

1. Stresses beyond those listed under Absolute Maximum Ratings may cause permanent damage to the device.
2. All voltage values, except differential voltages, are given with respect to GND pin.

Recommended Operating Conditions

The Recommended Operating Conditions table defines the conditions for actual device operation. Recommended operating conditions are specified to ensure optimal performance to the datasheet specifications. Fairchild does not recommend exceeding them or designing to Absolute Maximum Ratings.

| Symbol | Parameter | Conditions | Min. | Typ. | Max. | Unit |
|----------------|-------------------------------|------------|------|------|------|------|
| T _A | Operating Ambient Temperature | | -40 | | +125 | °C |

Electrical Characteristics

Unless otherwise specified, $V_{DD}=10\sim 25V$, $T_A=-40^{\circ}C\sim 125^{\circ}C$ ($T_A=T_J$).

| Symbol | Parameter | Conditions | Min. | Typ. | Max. | Unit |
|--|---|---|--------|--------|--------|------|
| V_{DD} Section | | | | | | |
| V _{OP} | Continuously Operating Voltage | | | | 25 | V |
| V _{DD-ON} | Turn-On Threshold Voltage | | 15 | 16 | 17 | V |
| V _{DD-PWM-OFF} | PWM Off Threshold Voltage | | 9 | 10 | 11 | V |
| V _{DD-OFF} | Turn-Off Threshold Voltage | | 7 | 8 | 9 | V |
| I _{DD-ST} | Startup Current | V _{DD} =V _{DD-ON} -0.16V GATE Open | | 10 | 20 | μA |
| I _{DD-OP} | Operating Current | V _{DD} =15V, f _S =60KHz, C _L =2nF | | 4.5 | 5.5 | mA |
| I _{DD-GREEN} | Green-Mode Operating Supply Current (Average) | V _{DD} =15V, f _S =2KHz, C _L =2nF | | | 3.5 | mA |
| I _{DD-PWM-OFF} | Operating Current at PWM-Off Phase | V _{DD} =V _{DD-PWM-OFF} - 0.5V | 70 | 80 | 90 | μA |
| V _{DD-OVP} | V _{DD} Over-Voltage Protection (Latch-Off) | | 26 | 27 | 28 | V |
| t _{VDD-OVP} | V _{DD} OVP Debounce Time | | 100 | 150 | 200 | μs |
| I _{DD-LATCH} | V _{DD} OVP Latch-Up Holding Current | V _{DD} =5V | | 42 | | μA |
| HV Startup Current Source Section | | | | | | |
| V _{HV-MIN} | Minimum Startup Voltage on Pin HV | | | | 50 | V |
| I _{HV} | Supply Current Drawn from Pin HV | V _{AC} =90V(V _{DC} =120V) V _{DD} =0V | 1.5 | | 4.0 | mA |
| I _{HV-LC} | Leakage Current After Startup | HV=500V, V _{DD} =V _{DD-OFF} +1V | | 1 | 20 | μA |
| Feedback Input Section | | | | | | |
| A _V | Input-Voltage to Current Sense Attenuation | $A_V = \Delta V_{CS} / \Delta V_{FB}$ $0 < V_{CS} < 0.9$ | 1/2.75 | 1/3.00 | 1/3.25 | V/V |
| Z _{FB} | Input Impedance | | 3 | 5 | 7 | KΩ |
| I _{OZ} | Bias Current | FB=V _{OZ} | | 1.2 | 2 | mA |
| V _{OZ} | Zero Duty-Cycle Input Voltage | | 0.8 | 1.0 | 1.2 | V |
| V _{FB-OLP} | Open Loop Protection Threshold Voltage | | 3.9 | 4.2 | 4.5 | V |
| t _{D-OLP} | Debounce Time for Open-Loop/Overload Protection | | 46 | 52 | 62 | ms |
| t _{SS} | Internal Soft-Start Time | | | 5 | | ms |

Continued on the following page...

Electrical Characteristics (Continued)

Unless otherwise specified, $V_{DD}=10\sim 25V$, $T_A=-40^{\circ}C \sim 125^{\circ}C$ ($T_A=T_J$).

| Symbol | Parameter | Conditions | Min. | Typ. | Max. | Unit |
|---|--|---------------------------------|------|------|------|---------|
| DET Pin OVP and Valley Detection Section | | | | | | |
| $V_{DET-OVP}$ | Comparator Reference Voltage | | 2.45 | 2.50 | 2.55 | V |
| A_V | Open-Loop Gain ⁽³⁾ | | | 60 | | dB |
| Bw | Gain Bandwidth ⁽³⁾ | | | 1 | | MHz |
| V_{V-HIGH} | Output High Voltage | | 4.5 | | | V |
| V_{V-LOW} | Output Low Voltage | | | | 0.5 | V |
| $t_{DET-OVP}$ | Output OVP (Latched) Debounce Time | | 100 | 150 | 200 | μs |
| $I_{DET-SOURCE}$ | Maximum Source Current | $V_{DET}=0V$ | | | 1 | mA |
| $V_{DET-HIGH}$ | Upper Clamp Voltage | $I_{DET}=-1mA$ | | | 5 | V |
| $V_{DET-LOW}$ | Lower Clamp Voltage | $I_{DET}=1mA$ | 0.1 | 0.3 | | V |
| $t_{VALLEY-DELAY}$ | Delay Time from Valley-Signal Detected to Output Turn-On ⁽³⁾ | | | 200 | | ns |
| $t_{OFF-BNK}$ | Leading-Edge-Blanking Time for DET when PWM MOS Turns Off ⁽³⁾ | FAN6300A | | 4.0 | | μs |
| | | FAN6300H | | 1.5 | | |
| $t_{TIME-OUT}$ | Time-Out after $t_{OFF-MIN}$ | FAN6300A | | 9 | | μs |
| | | FAN6300H | | 5 | | |
| Oscillator Section | | | | | | |
| t_{ON-MAX} | Maximum On-Time | | 38 | 45 | 54 | μs |
| $t_{OFF-MIN}$ | Minimum Off-Time | $V_{FB} \geq V_N$, FAN6300A | | 8 | | μs |
| | | $V_{FB} \geq V_N$, FAN6300H | | 3 | | μs |
| | | $V_{FB}=V_G$, FAN6300A | | 38 | | μs |
| | | $V_{FB}=V_G$, FAN6300H | | 13 | | μs |
| V_N | Beginning of Green-On Mode at FB Voltage Level | | 1.95 | 2.10 | 2.25 | V |
| V_G | Beginning of Green-Off Mode at FB Voltage Level | | 1.0 | 1.2 | 1.4 | V |
| ΔV_{FBG} | Green-Off Mode V_{FB} Hysteresis Voltage | | 0.05 | 0.10 | 0.20 | V |
| $t_{STARTER}$ | Start Timer (Time-Out Timer) | $V_{FB} < V_G$ | 1.8 | 2.1 | 2.4 | ms |
| | | $V_{FB} > V_{FB-OLP}$ | 25 | 30 | 45 | μs |
| Output Section | | | | | | |
| V_{OL} | Output Voltage Low | $V_{DD}=15V$, $I_O=150mA$ | | | 1.5 | V |
| V_{OH} | Output Voltage High | $V_{DD}=12V$, $I_O=150mA$ | 7.5 | | | V |
| t_R | Rising Time | | | 145 | 200 | ns |
| t_F | Falling Time | | | 55 | 120 | ns |
| V_{CLAMP} | Gate Output Clamping Voltage | | 16.7 | 18.0 | 19.3 | V |

Continued on following page...

Electrical Characteristics(Continued)Unless otherwise specified, $V_{DD}=10\sim 25V$, $T_A=-40^{\circ}C \sim 125^{\circ}C$ ($T_A=T_J$).

| Symbol | Parameter | Conditions | Min. | Typ. | Max. | Unit |
|---|--|------------------------|-------|-------|-------|-------------|
| Current Sense Section | | | | | | |
| t_{PD} | Delay to Output | | 20 | 150 | 200 | ns |
| V_{LIMIT} | Limit Voltage on CS Pin for Over-Power Compensation | $I_{DET} < 74.41\mu A$ | 0.82 | 0.85 | 0.88 | V |
| | | $I_{DET}=550\mu A$ | 0.380 | 0.415 | 0.450 | V |
| V_{SLOPE} | Slope Compensation ⁽³⁾ | $t_{ON}=45\mu s$ | | 0.3 | | V |
| | | $t_{ON}=0\mu s$ | | 0.1 | | V |
| t_{BNK} | Leading-Edge-Blanking Time (MOS Turns ON) | | 525 | 625 | 725 | ns |
| V_{CS-H} | V_{CS} Clamped High Voltage once CS Pin Floating | CS Pin Floating | 4.5 | | 5.0 | V |
| t_{CS-H} | Delay Time once CS Pin Floating | CS Pin Floating | | 150 | | μs |
| Internal Over-Temperature Protection Section | | | | | | |
| T_{OTP} | Internal Threshold Temperature for OTP ⁽³⁾ | | | +140 | | $^{\circ}C$ |
| $T_{OTP-HYST}$ | Hysteresis Temperature for Internal OTP ⁽³⁾ | | | +15 | | $^{\circ}C$ |

Note:

- Guaranteed by design.

Typical Performance Characteristics

Graphs are normalized at $T_A=25^\circ\text{C}$.

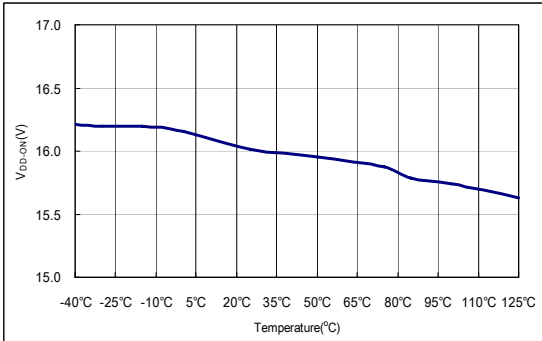


Figure 5. Turn-On Threshold Voltage

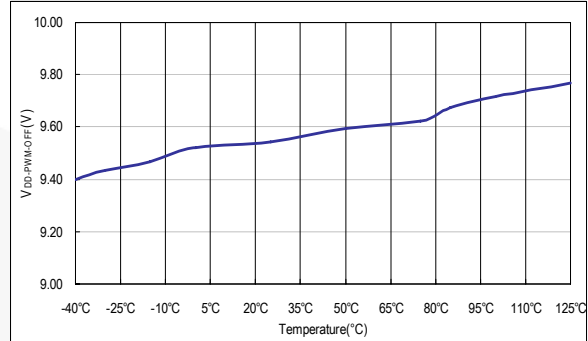


Figure 6. PWM-Off Threshold Voltage

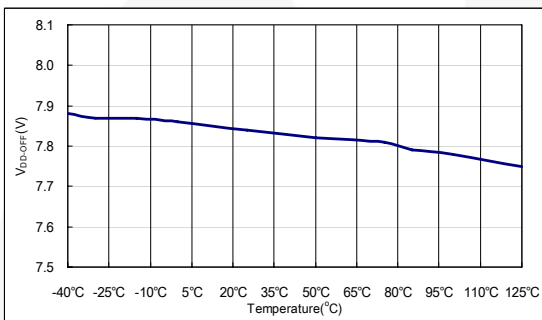


Figure 7. Turn-Off Threshold Voltage

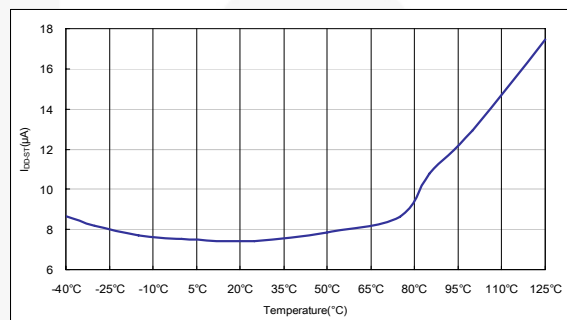


Figure 8. Startup Current

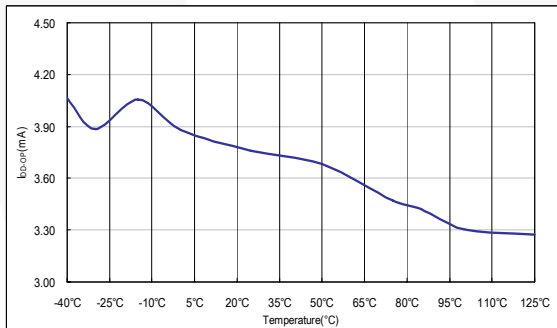


Figure 9. Operating Current

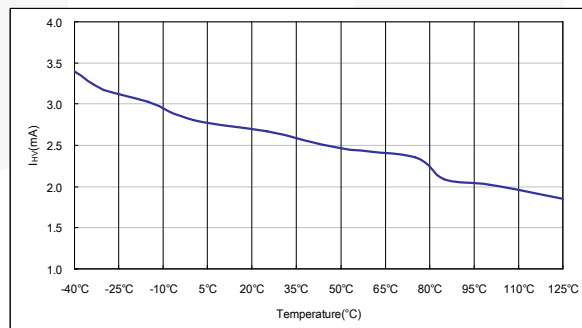


Figure 10. Supply Current Drawn From HV Pin

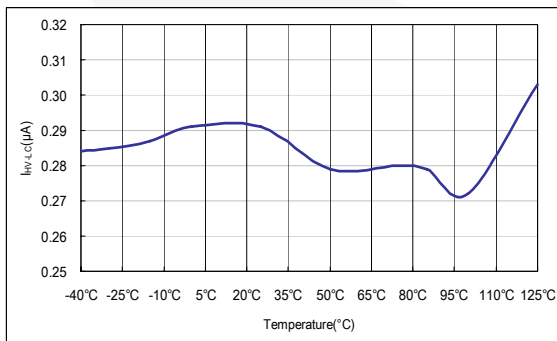


Figure 11. Leakage Current After Startup

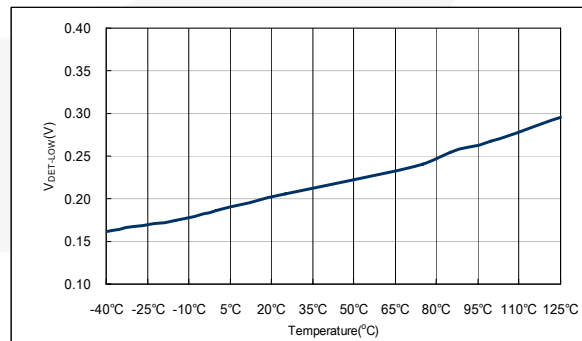


Figure 12. Lower Clamp Voltage

Typical Performance Characteristics (Continued)

These characteristic graphs are normalized at $T_A = 25^\circ\text{C}$.

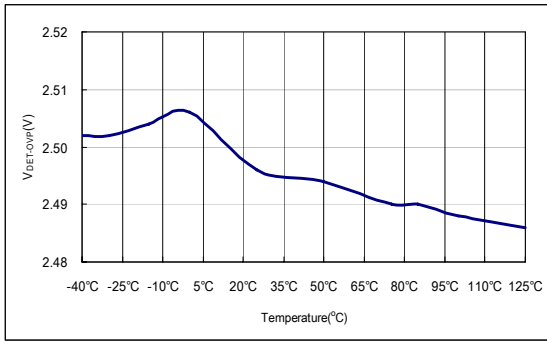


Figure 13. Comparator Reference Voltage

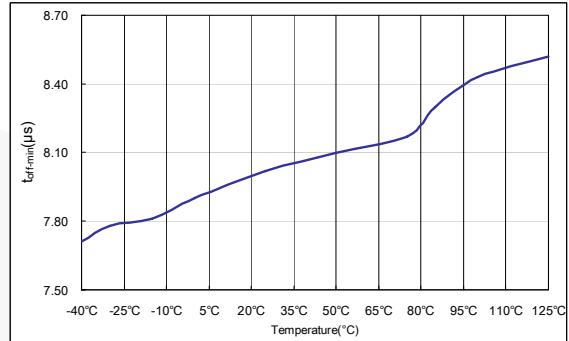


Figure 14. Minimum Off Time ($V_{FB} > V_N$)

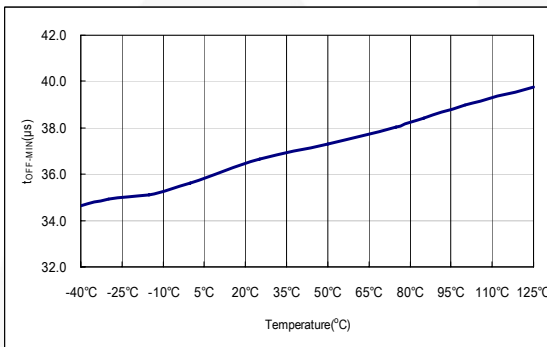


Figure 15. Minimum Off Time ($V_{FB} = V_G$)

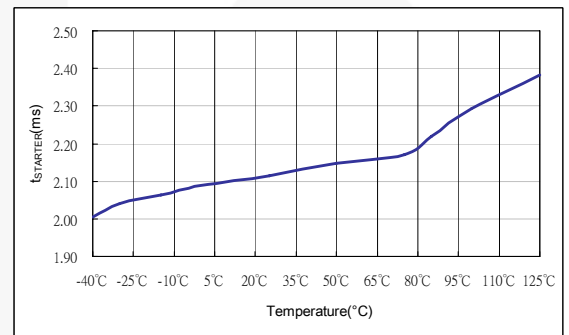


Figure 16. Start Timer ($V_{FB} < V_G$)

Operation Description

The FAN6300A/H PWM controller integrates designs to enhance the performance of flyback converters. An internal valley voltage detector ensures power system operates at Quasi-Resonant (QR) operation across a wide range of line voltage. The following descriptions highlight some of the features of the FAN6300A/H.

Startup Current

For startup, the HV pin is connected to the line input or bulk capacitor through an external diode and resistor, R_{HV} , which are recommended as 1N4007 and 100k Ω . Typical startup current drawn from the HV pin is 1.2mA and it charges the hold-up capacitor through the diode and resistor. When the V_{DD} voltage level reaches V_{DD-ON} , the startup current switches off. At this moment, the V_{DD} capacitor only supplies the FAN6300A/H to maintain V_{DD} until the auxiliary winding of the main transformer provides the operating current.

Valley Detection

The DET pin is connected to an auxiliary winding of the transformer via resistors of the divider to generate a valley signal once the secondary-side switching current discharges to zero. It detects the valley voltage of the switching waveform to achieve the valley voltage switching. This ensures QR operation, minimizes switching losses, and reduces EMI. Figure 17 shows divider resistors R_{DET} and R_A . R_{DET} is recommended as 150k Ω to 220k Ω to achieve valley voltage switching. When V_{AUX} (in Figure 17) is negative, the DET pin voltage is clamped to 0.3V.

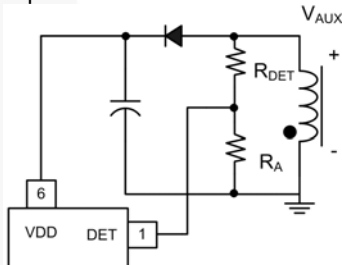


Figure 17. Valley Detect Section

The internal timer (minimum t_{OFF} time) prevents gate retriggering within 8 μ s (3 μ s for H version) after the gate signal going-low transition. The minimum t_{OFF} limit prevents system frequency being too high. Figure 18 shows a typical drain voltage waveform with first valley switching.

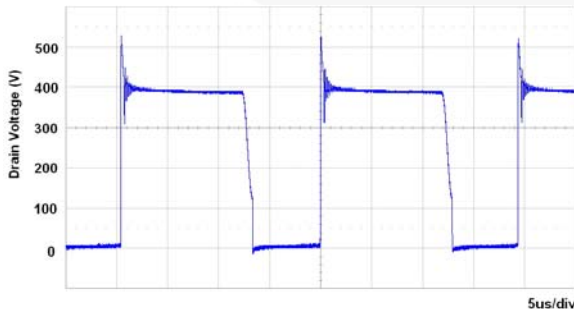


Figure 18. First Valley Switching

Green-Mode Operation

The proprietary green-mode function provides off-time modulation to linearly decrease the switching frequency under light-load conditions. V_{FB} , which is derived from the voltage feedback loop, is taken as the reference. In Figure 19, once V_{FB} is lower than V_N , $t_{OFF-MIN}$ increases linearly with lower V_{FB} . The valley voltage detection signal does not start until $t_{OFF-MIN}$ finishes. Therefore, the valley detect circuit is activated until $t_{OFF-MIN}$ finishes, which decreases the switching frequency and provides extended valley voltage switching. However, in very light load condition, it might fail to detect the valley voltage after the $t_{OFF-MIN}$ expires. Under this condition, an internal $t_{TIME-OUT}$ signal initiates a new cycle start after a 9 μ s delay (with 5 μ s delay for H version). Figure 20 and Figure 21 show the two different conditions.

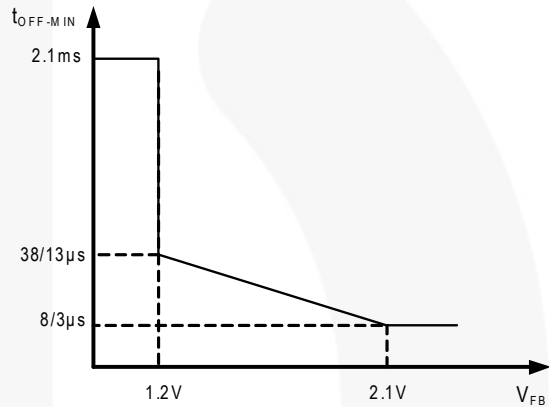


Figure 19. V_{FB} vs. $t_{OFF-MIN}$ Curve

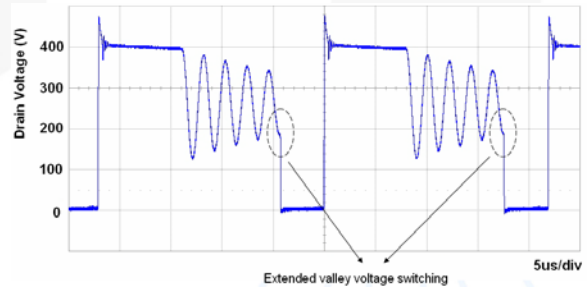


Figure 20. QR Operation in Extended Valley Voltage Detection Mode

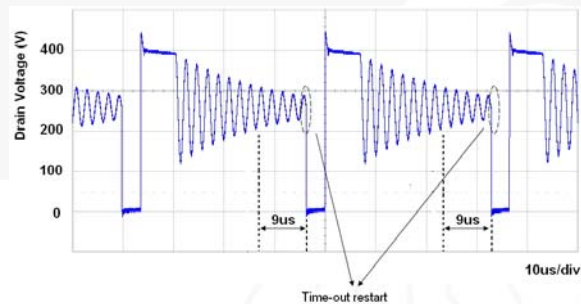


Figure 21. Internal $t_{TIME-OUT}$ Initiates New Cycle After Failure to Detect Valley Voltage (with 5 μ s Delay for FAN6300H version)

Current Sensing and PWM Current Limiting

Peak-current-mode control is utilized to regulate output voltage and provide pulse-by-pulse current limiting. The switch current is detected by a sense resistor into the CS pin. The PWM duty cycle is determined by this current-sense signal and V_{FB} . When the voltage on CS reaches around $V_{LIMIT} = (V_{FB}-1.2)/3$, the switch cycle is terminated immediately. V_{LIMIT} is internally clamped to a variable voltage around 0.85V for output power limit.

Leading-Edge Blanking (LEB)

Each time the power MOSFET switches on, a turn-on spike occurs on the sense resistor. To avoid premature termination of the switching pulse, lead-edge blanking time is built in. During the blanking period, the current limit comparator is disabled; it cannot switch off the gate driver.

Under-Voltage Lockout (UVLO)

The turn-on, PWM-off, and turn-off thresholds are fixed internally at 16/10/8V. During startup, the startup capacitor must be charged to 16V through the startup resistor to enable the IC. The hold-up capacitor continues to supply V_{DD} until energy can be delivered from the auxiliary winding of the main transformer. V_{DD} must not drop below 10V during this startup process. This UVLO hysteresis window ensures that hold-up capacitor is adequate to supply V_{DD} during startup.

Gate Output

The BiCMOS output stage is a fast totem-pole gate driver. Cross conduction has been avoided to minimize heat dissipation, increase efficiency, and enhance reliability. The output driver is clamped by an internal 18V Zener diode to protect power MOSFET transistors against undesired over-voltage gate signals.

Over-Power Compensation

To compensate this variation for wide AC input range, the DET pin produces an offset voltage to compensate the threshold voltage of the peak current limit to provide a constant-power limit. The offset is generated in accordance with the input voltage when PWM signal is enabled. This results in a lower current limit at high-line inputs than low-line inputs. At fixed-load condition, the CS limit is higher when the value of R_{DET} is higher. R_{DET} also affects the H/L line constant power limit.

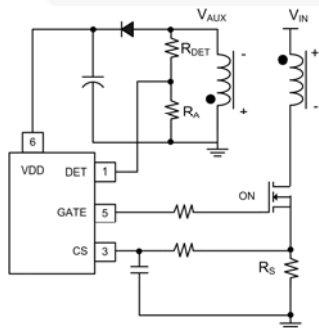


Figure 22. H/L Line Constant Power Limit Compensated by DET Pin

V_{DD} Over-Voltage Protection

V_{DD} over-voltage protection prevents damage due to abnormal conditions. Once the V_{DD} voltage is over the V_{DD} over-voltage protection voltage (V_{DD-OVP}) and lasts for t_{VDDOVP} , the PWM pulse is disabled until the V_{DD} voltage drops below the UVLO, then starts again.

Output Over-Voltage Protection

The output over-voltage protection works by the sampling voltage, as shown in Figure 23, after switch-off sequence. A $4\mu s$ ($1.5\mu s$ for H version) blanking time ignores the leakage inductance ringing. A voltage comparator and a 2.5V reference voltage develop an output OVP protection. The ratio of the divider determines the sampling voltage of the stop gate, as an optical coupler and secondary shunt regulator are used. If the DET pin OVP is triggered, the power system enters latch-mode until AC power is removed.

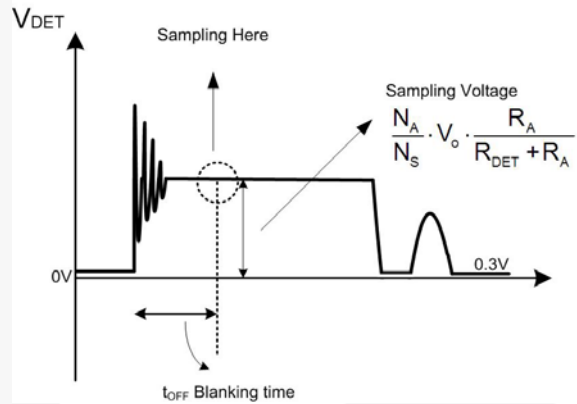


Figure 23. Voltage Sampled After $4\mu s$ ($1.5\mu s$ for FAN6300H version) Blanking Time After Switch-Off Sequence

Short-Circuit and Open-Loop Protection

The FB voltage increases every time the output of the power supply is shorted or overloaded. If the FB voltage remains higher than a built-in threshold for longer than t_{D-OLP} , PWM output is turned off. As PWM output is turned-off, the supply voltage V_{DD} begins decreasing.

When V_{DD} goes below the PWM-off threshold of 10V, V_{DD} decreases to 8V, then the controller is totally shut down. V_{DD} is charged up to the turn-on threshold voltage of 16V through the startup resistor until PWM output is restarted. This protection feature continues as long as the overloading condition persists. This prevents the power supply from overheating due to overloading.

Physical Dimensions

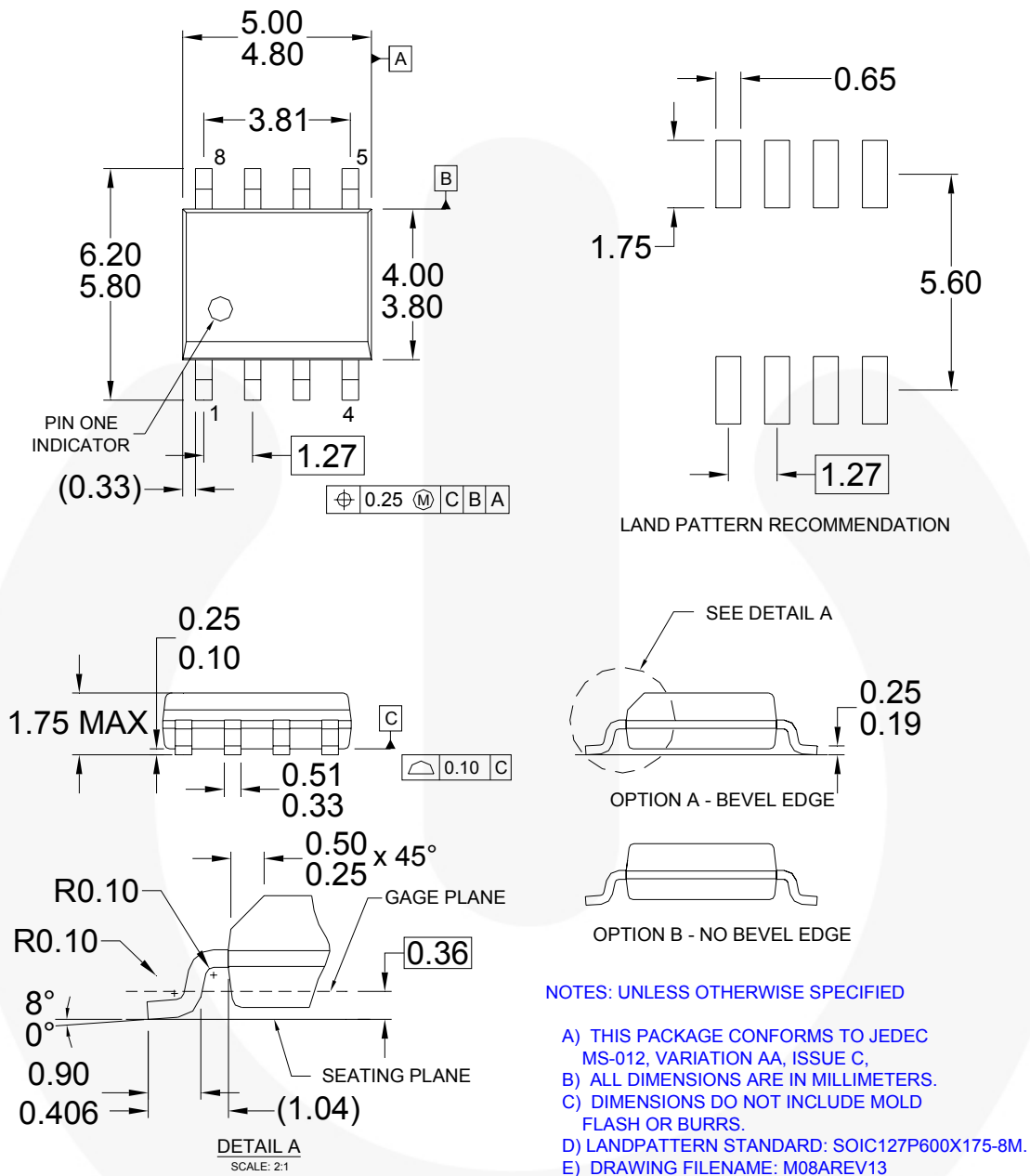
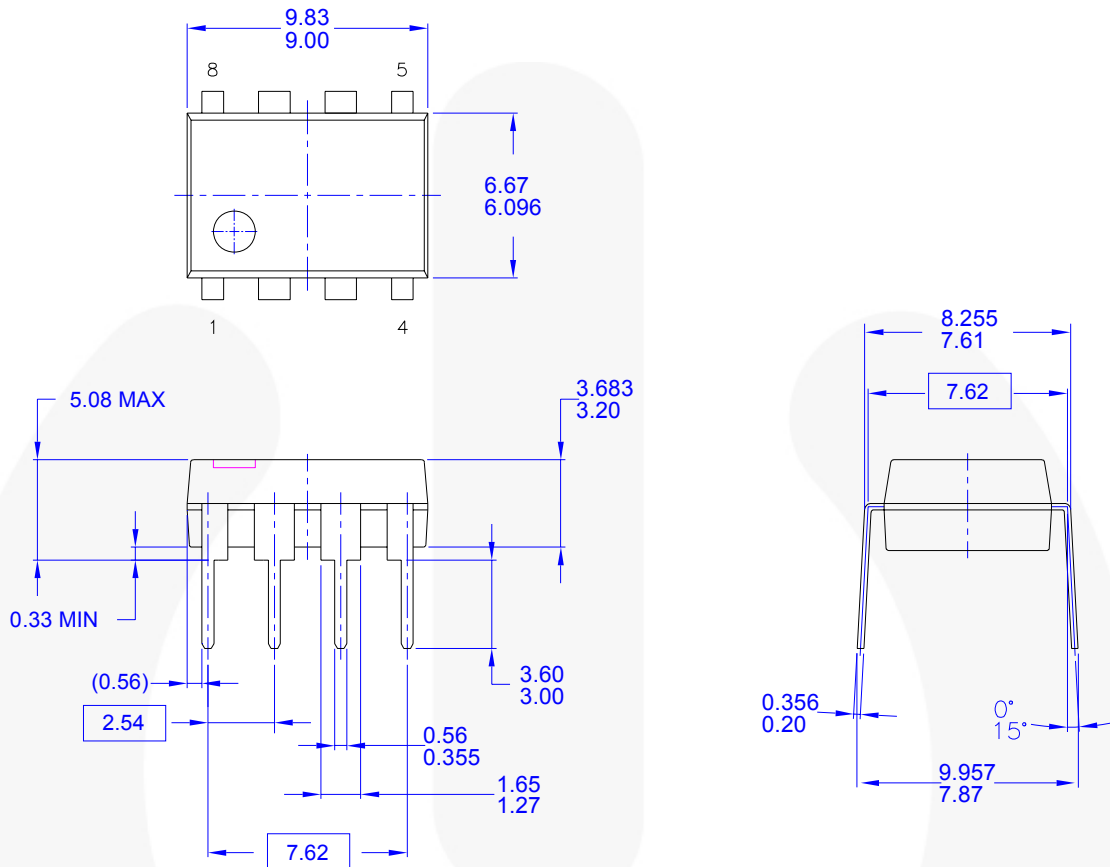


Figure 24. 8-Pin Small Outline Package (SOP)

Package drawings are provided as a service to customers considering Fairchild components. Drawings may change in any manner without notice. Please note the revision and/or date on the drawing and contact a Fairchild Semiconductor representative to verify or obtain the most recent revision. Package specifications do not expand the terms of Fairchild's worldwide terms and conditions, specifically the warranty therein, which covers Fairchild products.

Always visit Fairchild Semiconductor's online packaging area for the most recent package drawings:
<http://www.fairchildsemi.com/packaging/>

Physical Dimensions (Continued)



- NOTES: UNLESS OTHERWISE SPECIFIED**
- A) THIS PACKAGE CONFORMS TO JEDEC MS-001 VARIATION BA
 - B) ALL DIMENSIONS ARE IN MILLIMETERS.
 - C) DIMENSIONS ARE EXCLUSIVE OF BURRS, MOLD FLASH, AND TIE BAR EXTRUSIONS.
 - D) DIMENSIONS AND TOLERANCES PER ASME Y14.5M-1994
 - E) DRAWING FILENAME AND REVISION: MKT-N08FREV2.

Figure 25. 8-Pin Dual Inline Package (DIP)

Package drawings are provided as a service to customers considering Fairchild components. Drawings may change in any manner without notice. Please note the revision and/or date on the drawing and contact a Fairchild Semiconductor representative to verify or obtain the most recent revision. Package specifications do not expand the terms of Fairchild's worldwide terms and conditions, specifically the warranty therein, which covers Fairchild products.

Always visit Fairchild Semiconductor's online packaging area for the most recent package drawings:
<http://www.fairchildsemi.com/packaging/>



TRADEMARKS

The following includes registered and unregistered trademarks and service marks, owned by Fairchild Semiconductor and/or its global subsidiaries, and is not intended to be an exhaustive list of all such trademarks.

AccuPower™
Auto-SPM™
Build it Now™
CorePLUS™
CorePOWER™
CROSSVOLT™
CTL™
Current Transfer Logic™
DEUXPEED®
EcoSPARK®
EfficientMax™
EZSWITCH™
Fairchild®
Fairchild Semiconductor®
FACT Quiet Series™
FACT®
FAST®
FastCore™
FETBench™

FlashWriter®*
FPS™
F-PFS™
FRFET®
Global Power Resource™
Green FPS™
Green FPS™ e-Series™
Gmax™
GTO™
IntelliMAX™
ISOPLANAR™
MegaBuck™
MICROCOUPLER™
MicroFET™
MicroPak™
MillerDrive™
MotionMax™
Motion-SPM™
OPTOLOGIC®
OPTOPLANAR®
PDP SPM™

Power-SPM™
PowerTrench®
PowerXS™
Programmable Active Droop™
QFET®
QST™
Quiet Series™
RapidConfigure™
Saving our world, 1mW/W/KW at a time™
SignalWise™
SmartMax™
SMART START™
SPM®
STEALTH™
SuperFET™
SuperSOT™.3
SuperSOT™.6
SuperSOT™.8
SupreMOS™
SyncFET™
Sync-Lock™

SYSTEM GENERAL
The Power Franchise®
power franchise
TinyBoost™
TinyBuck™
TinyCalc™
TinyLogic®
TINYOPTO™
TinyPower™
TinyPWM™
TinyWire™
TriFault Detect™
TRUECURRENT™*
µSerDes™
UHC®
Ultra FRFET™
UniFET™
VCX™
VisualMax™
XST™

* Trademarks of System General Corporation, used under license by Fairchild Semiconductor.

DISCLAIMER

FAIRCHILD SEMICONDUCTOR RESERVES THE RIGHT TO MAKE CHANGES WITHOUT FURTHER NOTICE TO ANY PRODUCTS HEREIN TO IMPROVE RELIABILITY, FUNCTION, OR DESIGN. FAIRCHILD DOES NOT ASSUME ANY LIABILITY ARISING OUT OF THE APPLICATION OR USE OF ANY PRODUCT OR CIRCUIT DESCRIBED HEREIN; NEITHER DOES IT CONVEY ANY LICENSE UNDER ITS PATENT RIGHTS, NOR THE RIGHTS OF OTHERS. THESE SPECIFICATIONS DO NOT EXPAND THE TERMS OF FAIRCHILD'S WORLDWIDE TERMS AND CONDITIONS, SPECIFICALLY THE WARRANTY THEREIN, WHICH COVERS THESE PRODUCTS.

LIFE SUPPORT POLICY

FAIRCHILD'S PRODUCTS ARE NOT AUTHORIZED FOR USE AS CRITICAL COMPONENTS IN LIFE SUPPORT DEVICES OR SYSTEMS WITHOUT THE EXPRESS WRITTEN APPROVAL OF FAIRCHILD SEMICONDUCTOR CORPORATION.

As used herein:

1. Life support devices or systems are devices or systems which, (a) are intended for surgical implant into the body or (b) support or sustain life, and (c) whose failure to perform when properly used in accordance with instructions for use provided in the labeling, can be reasonably expected to result in a significant injury of the user.
2. A critical component in any component of a life support, device, or system whose failure to perform can be reasonably expected to cause the failure of the life support device or system, or to affect its safety or effectiveness.

ANTI-COUNTERFEITING POLICY

Fairchild Semiconductor Corporation's Anti-Counterfeiting Policy. Fairchild's Anti-Counterfeiting Policy is also stated on our external website, www.fairchildsemi.com, under Sales Support.

Counterfeiting of semiconductor parts is a growing problem in the industry. All manufacturers of semiconductor products are experiencing counterfeiting of their parts. Customers who inadvertently purchase counterfeit parts experience many problems such as loss of brand reputation, substandard performance, failed applications, and increased cost of production and manufacturing delays. Fairchild is taking strong measures to protect ourselves and our customers from the proliferation of counterfeit parts. Fairchild strongly encourages customers to purchase Fairchild parts either directly from Fairchild or from Authorized Fairchild Distributors who are listed by country on our web page cited above. Products customers buy either from Fairchild directly or from Authorized Fairchild Distributors are genuine parts, have full traceability, meet Fairchild's quality standards for handling and storage and provide access to Fairchild's full range of up-to-date technical and product information. Fairchild and our Authorized Distributors will stand behind all warranties and will appropriately address any warranty issues that may arise. Fairchild will not provide any warranty coverage or other assistance for parts bought from Unauthorized Sources. Fairchild is committed to combat this global problem and encourage our customers to do their part in stopping this practice by buying direct or from authorized distributors.

PRODUCT STATUS DEFINITIONS

Definition of Terms

| Datasheet Identification | Product Status | Definition |
|--------------------------|-----------------------|---|
| Advance Information | Formative / In Design | Datasheet contains the design specifications for product development. Specifications may change in any manner without notice. |
| Preliminary | First Production | Datasheet contains preliminary data; supplementary data will be published at a later date. Fairchild Semiconductor reserves the right to make changes at any time without notice to improve design. |
| No Identification Needed | Full Production | Datasheet contains final specifications. Fairchild Semiconductor reserves the right to make changes at any time without notice to improve the design. |
| Obsolete | Not In Production | Datasheet contains specifications on a product that is discontinued by Fairchild Semiconductor. The datasheet is for reference information only. |

Rev. I44