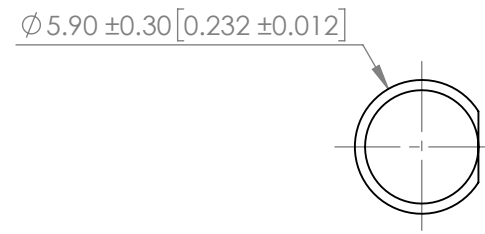
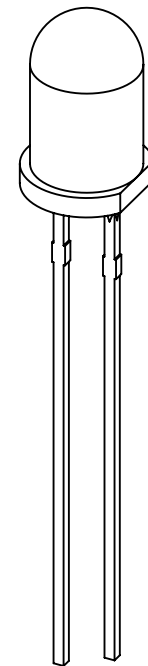
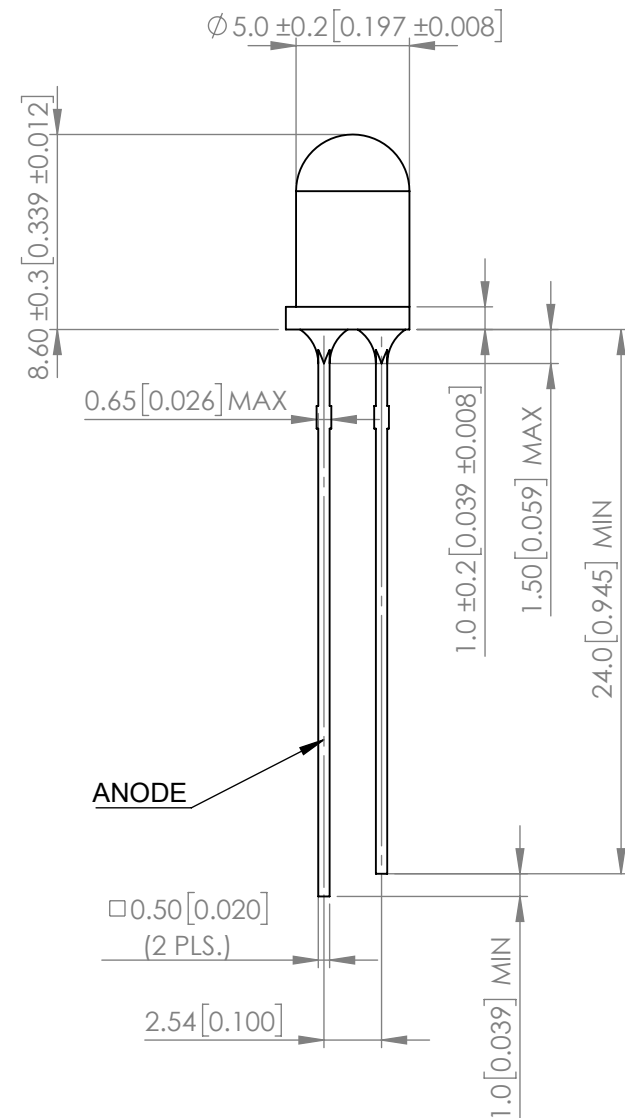
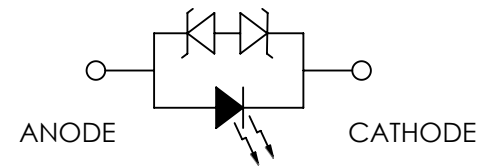


<b>PART NUMBER</b>		SSL-LX5093UWW	<b>REV</b>	D
<b>REV</b>	<b>E.C.N. NUMBER AND REVISION COMMENTS</b>			<b>DATE</b>
A	E.C.N. #11283.			1.6.06
B	E.C.N. #11148			10.27.06
C	E.C.N. #11573			7.1.09
D	ECN-Lumex201700014			05.10.17



**POLARITY**



**ELECTRO-OPTICAL CHARACTERISTIC TA=25°C**

PARAMETER	MIN	TYP	MAX	UNITS	TEST COND
FORWARD VOLTAGE	-	3.2	-	Vf	If=20mA
REVERSE VOLTAGE	-	-	5	Vr	Ir=50uA
LUMINOUS INTENSITY	1800	-	3600	mcd	If=20mA
CHROMATICITY COORDINATES(*2)	X	0.30	-	-	If=20mA
	Y	0.29	-	-	
VIEWING ANGLE	-	70	-	2x theta 1/2	If=20mA
EMITTED COLOR	WHITE				
EPOXY LENS FINISH	MILKY WHITE DIFFUSED				

\*1.AXIAL INTENSITY TESTING CONDITION: 550nm WAVELENGTH.  
\*2.THE ICI STANDARD COLORIMETRIC SYSTEM.

**ABSOLUTE MAXIMUM RATINGS TA=25°C**

PARAMETER	MAX	UNITS
PEAK FORWARD CURRENT*	100	mA
FORWARD CURRENT	30	mA
POWER DISIPATION	110	mW
OPERATING TEMPERATURE	-40 TO +85	°C
STORAGE TEMPERATURE	-40 TO +100	°C
SOLDERING TEMPERATURE	3 SEC. MAX @ 260	°C

\*t<10us

**CAUTION : STATIC DEVICE**  
FOLLOW PROPER E.S.D. HANDING PROCEDURES  
WHEN WORKING WITH THIS PART

\*UNLESS OTHERWISE SPECIFIED TOLERANCES PER DECIMAL PRECISION ARE: X=±1 (±0.039), X.X=±0.5 (±0.020), X.XX=±0.25 (±0.010), X.XXX=±0.127 (±0.005). LEAD SIZE=±0.05 (±0.002), LEAD LENGTH=±0.75 (±0.030). MIN= <sup>+DECIMAL PRECISION</sup>/<sub>-0.00</sub> MAX= <sup>+0.00</sup>/<sub>-DECIMAL PRECISION</sub>

<p>425 N. GARY AVE. CAROL STREAM, IL 60188 PHONE : 800-278-5666 FAX : 630-315-2150 WEB : WWW.LUMEX.COM</p>	T-5mm (T-1) ULTRA WHITE LED, MILKY WHITE DIFFUSED LENS.		DATE : 2017.05.10	DRAWN BY : C.C.
	**THE SPECIFICATIONS MAY CHANGE AT ANY TIME WITHOUT NOTICE DUE TO NEW MATERIALS OR PRODUCT IMPROVEMENT.**			
	CONFIDENTIAL INFORMATION			
	THE INFORMATION CONTAINED IN THIS DOCUMENT IS THE PROPERTY OF LUMEX INC. EXCEPT AS SPECIFICALLY AUTHORIZED IN WRITING BY LUMEX INC., THE HOLDER OF THIS DOCUMENT SHALL KEEP ALL INFORMATION CONTAINED HEREIN CONFIDENTIAL AND SHALL PROTECT SAME IN WHOLE OR IN PART FROM DISCLOSURE AND DISSEMINATION TO ALL THIRD PARTIES.			
			PAGE : 1 OF 1	CHKD BY : G.Y.
			SCALE : NTF	APRVD BY : R.C.
			UNIT : mm [INCH]	(Pb)