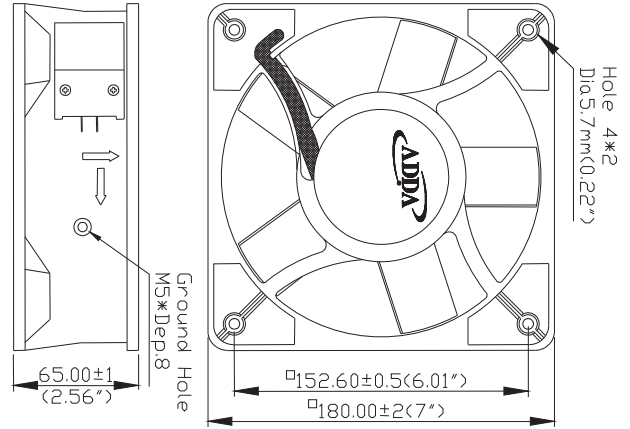




External Dimensions



Frame: Aluminum Alloy
 Impeller: Plastic (UL: 94V-0)
 Motor Structure: Capacitor-Run Induction Motor.
 Motor Protection: Thermal Protect.
 Lead wire: UL 1015AWG20
 OPERATING TEMP*: -10°C~70°C
 *: -10°C~60°C for fans with sleeve/ball combination bearings.

Specifications(Nominal)

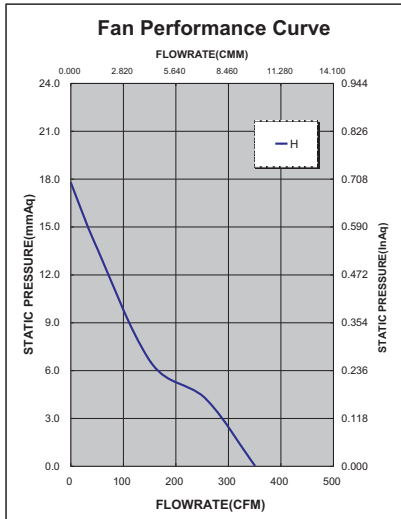
*Noise is measured at the distance of one (1) meter from the axis of intake.

Bearing type: ◎=Ball ※=Sleeve ●=Hypro bearing

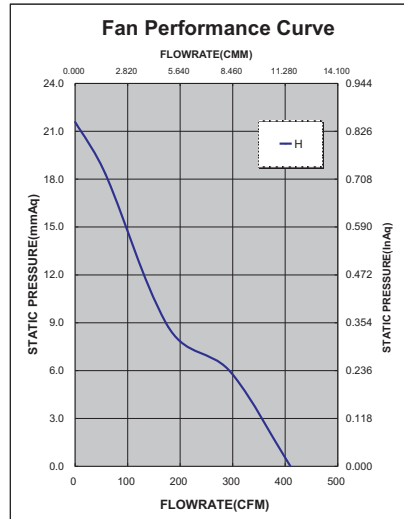
Frame size (mm)	Model No.	Bearing System Type	Volt. (VAC)	Freq. (Hz)	Current (A)	Power (W)	Rated Speed (rpm)	Maximum AirFlow (CMM) (CFM)	Maximum Pressure (InAq) (mmAq)	*Noise Level (dB/A)	Weight (g)
180x180x65	AK1861HB	◎	115	50/60	0.55/0.48	59.80/55.20	2800/3200	9.905/11.603	350.0/410.0	70.0/72.0	1800
	AK1862HB	◎	230	50/60	0.20/0.22	46.50/51.10			0.700/0.850	17.780/21.590	

Specifications subject to change without notice.

50Hz



60Hz



*Safety approvals

✓	✓		✓	✓