

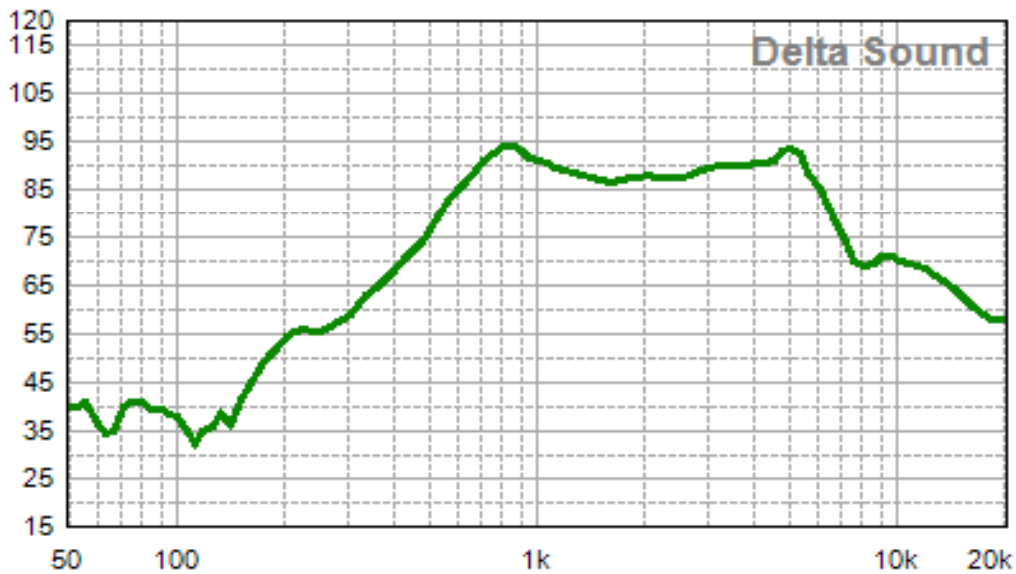
Specification for Speaker

Model No.	AL2846R64F800P01	Drawing No.	ST2019101103
Customer	Quartz1		

SPEC

NO.	Items	Specification	Test Condition
1	Impedance	64Ω ±15%	at 1Vrms,2kHz
2	Resonant Fr. (fo)	800Hz±20%	
3	Frequency Range	F0-20KHz	
4	Rated Power	0.1W	
5	Max Power	0.12W	
6	S.P.L.	87dB±3dB	(0.1W/0.1M at 0.8,1.0,1.2,1.5kHz Ave)
7	Distortion	<10% Max.	at 2kHz/2Vrms
8	Sweep Test	must be normal	at sine wave 2 V
9	Load Test	after test meet item 8	rated white noise power, 24Hrs.
10	Heat Test	after test meet item 8	+60±2℃ 20~50% 24Hrs.
11	Cold Test	after test meet item 8	-20±3℃ 24Hrs.
12	Humidity Test	after test meet item 8	+40±2℃,90~95% 24Hrs.
13	Weight	5.0±5%g	
14	Polarity Test	with positive D.C. voltage to (+) terminal, the cone shall move forward.	
15	Note		

Frequency Response Curve



Specification for Speaker

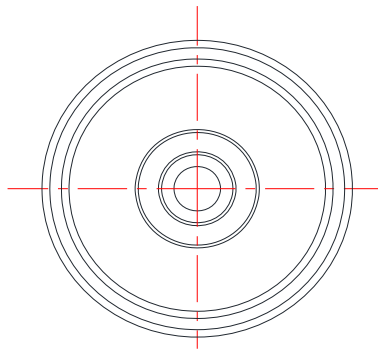
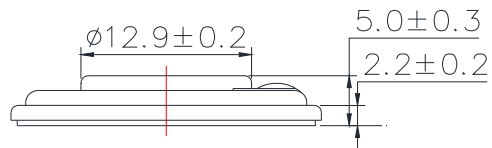
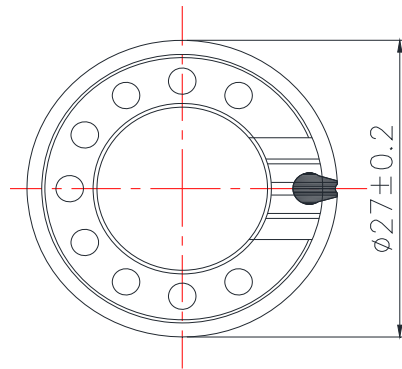
Model No. AL2846R64F800P01

Drawing No. ST2019101103

Dimensions:



Actual power 0.1W



Unit : mm

Tolerance : ± 0.2