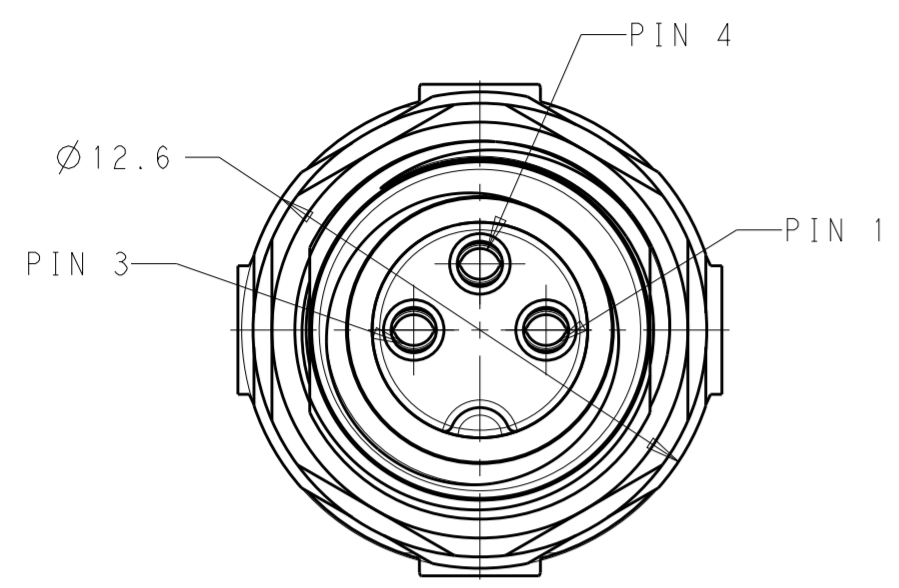


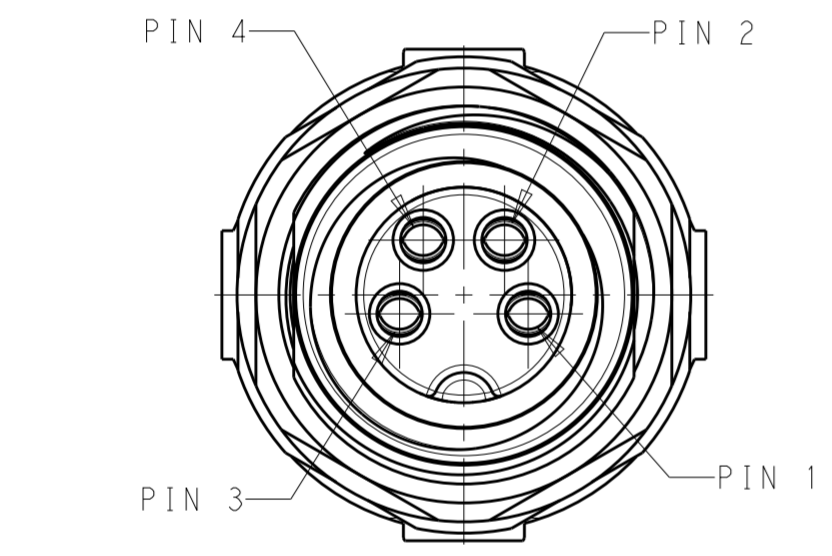
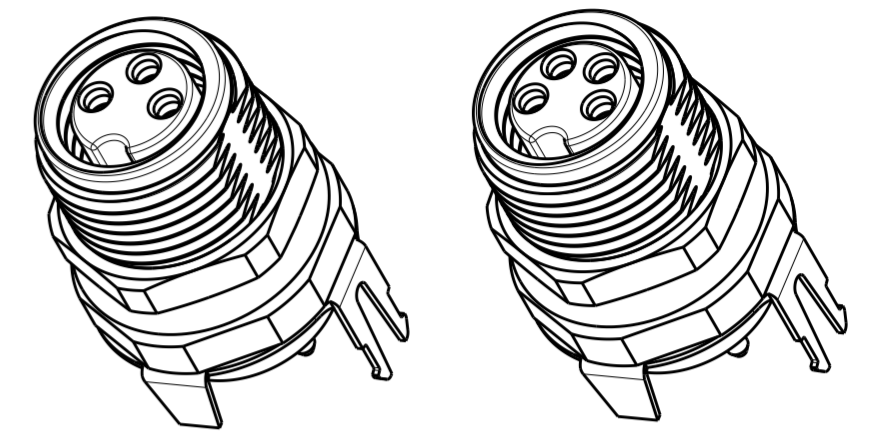
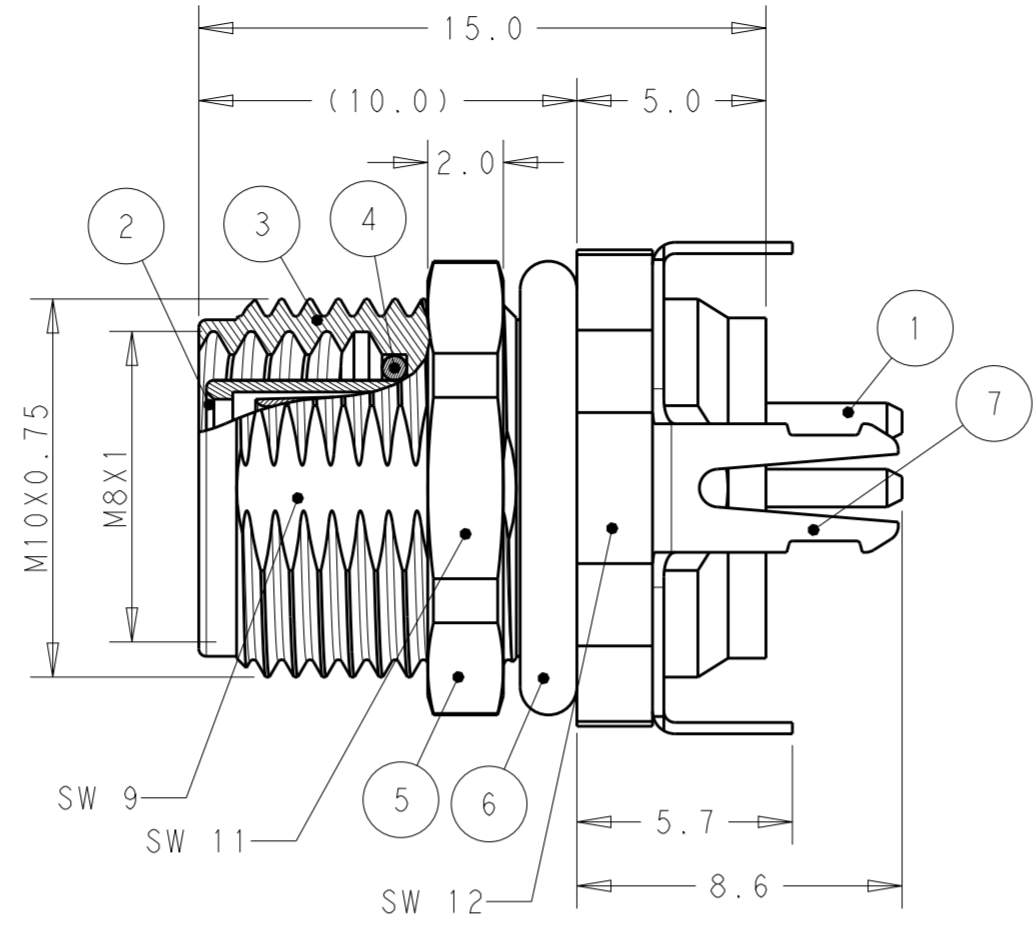
THIS DRAWING IS UNPUBLISHED. RELEASED FOR PUBLICATION 20  
 © COPYRIGHT 20 BY - ALL RIGHTS RESERVED.

REVISIONS				
P	LTR	DESCRIPTION	DATE	DWN APVD
A		INITIAL RELEASE	19DEC2016	N.P X.X

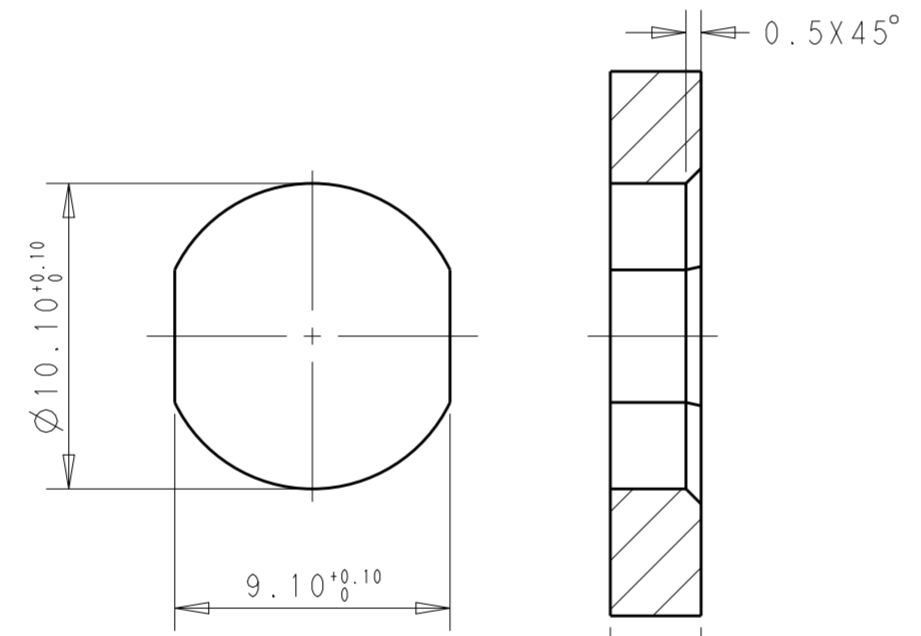


VIEW A  
3POS.

VIEW A  
→

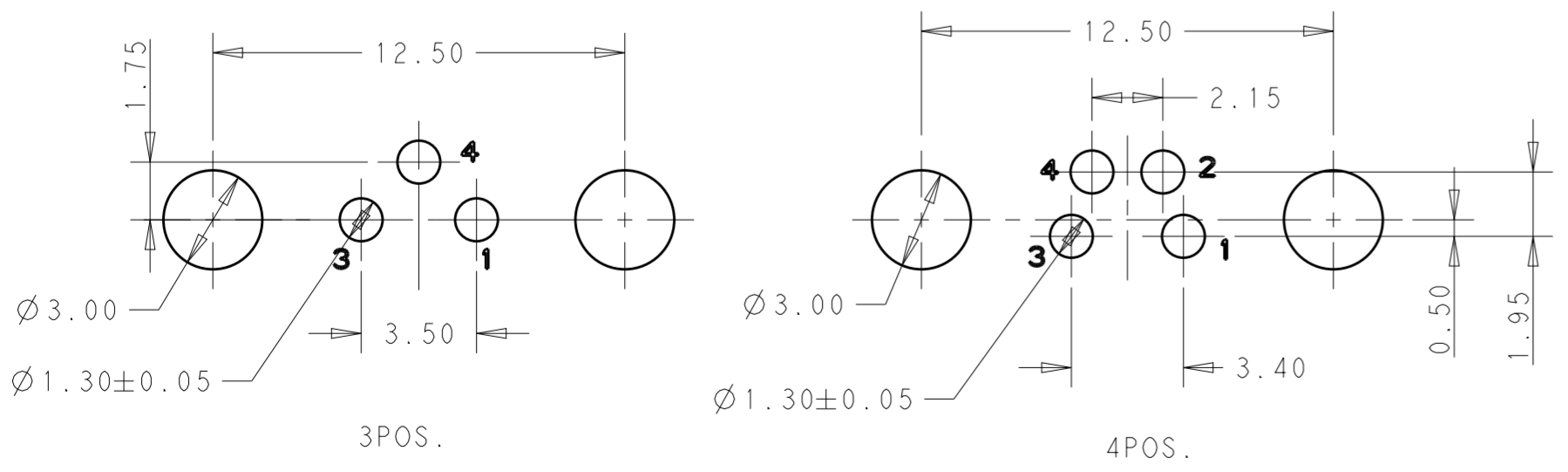


VIEW A  
4POS.



PANEL THICK  
2.5~4.5mm

RECOMMENDED PANEL SIZE



RECOMMENDED PCB LAYOUT  
PCB THICKNESS: 1.6mm

NOTES:

1. TECHNICAL DATA: SEE TABLE 1
2. PIN ASSIGNMENT SEE VIEW A.
3. ALL PRODUCT MUST COMPLIANCE WITH ROHS AND REACH.

注意事项

1. 技术参数：见表1
2. 端子分布见视图A；
3. 产品必须符合ROHS与REACH。

TABLE 1

TECHNICAL DATA	T4041037031-000	T4041037041-000
RATED IMPULSE VOLTAGE	1500V	800V
RATED VOLTAGE	60V	30V
RATED CURRENT	3A	
OVERVOLTAGE CATEGORY	II	
MATERIAL GROUP	II	
DEGREE OF PROTECTION	IP67	
TEMPERATURE	-40°C~85°C	

MATERIAL	DESCRIPTION	ITEM
COPPER ALLOY	SHIELDING	7
RUBBER	O-RING	6
COPPER ALLOY	NUT	5
RUBBER	O-RING	4
COPPER ALLOY	BODY NUT	3
PA66 UL94-V0	HOUSING	2
GOLD PLATED	CONTACT	1

RPC-M8-FF-4CON-M10-LBUSH	4	T4041037041-000
RPC-M8-FF-3CON-M10-LBUSH	3	T4041037031-000
TYPE	POS.	PART NUMBER

THIS DRAWING IS A CONTROLLED DOCUMENT.

DWN Nick Pan 05DEC2016  
 CHK Kobby Zhao 05DEC2016  
 APVD Xiang Xu 05DEC2016

DIMENSIONS: mm

TOLERANCES UNLESS OTHERWISE SPECIFIED:  
 0 PLC ±  
 1 PLC ±0.25  
 2 PLC ±0.15  
 3 PLC ±  
 4 PLC ±  
 ANGLES ±  
 FINISH -

MATERIAL TBD  
 material\_2 finish\_spec\_2

PRODUCT SPEC 108-106140  
 APPLICATION SPEC -  
 WEIGHT -

CUSTOMER DRAWING

**STE** TE Connectivity

NAME M8 PANEL PCB CONNECTOR FEMALE SIDE REAR MOUNTING SHIELDED TYPE

SIZE A2 CAGE CODE - DRAWING NO. T404103010X000 RESTRICTED TO -

SCALE 2:1 SHEET 1 OF 1 REV A