

- 1
- 2
- 3
- 4
- 5
- 6
- 7
- 8
- 9
- 10
- 11
- 12
- 13
- 14
- 15
- 16
- 17
- 18

**MATERIAL**

Anodised aluminium

**COLOUR**

Natural, matte finish.

**ROTATING PIN**

AISI 304 stainless steel.

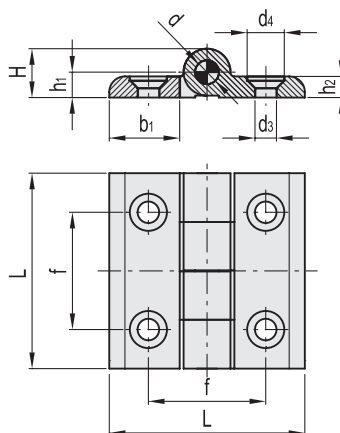
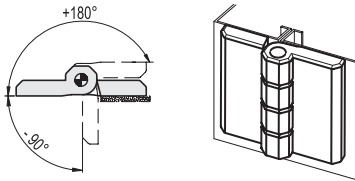
**STANDARD EXECUTION**

Pass-through holes for countersunk head screws.

**ROTATION ANGLE (APPROXIMATE VALUE)**

Max 270° (-90° and +180° being 0° the condition where the two inter-connected surfaces are on the same plane).

Do not exceed the rotation angle limit so as not to prejudice the hinge mechanical performance.



| Code   | Description    | L  | d3  | d4   | f  | H    | h1  | h2 | b1   | d | Δ  |
|--------|----------------|----|-----|------|----|------|-----|----|------|---|----|
| 428649 | CMM-AL-40-SH-5 | 40 | 5.5 | 10.5 | 25 | 10.5 | 5.5 | 5  | 14   | 4 | 25 |
| 428651 | CMM-AL-50-SH-5 | 50 | 5.5 | 10.5 | 30 | 12.5 | 6.5 | 6  | 17   | 6 | 50 |
| 428652 | CMM-AL-50-SH-6 | 50 | 6.5 | 12.5 | 30 | 12.5 | 6.5 | 6  | 17   | 6 | 47 |
| 428655 | CMM-AL-60-SH-8 | 60 | 8.5 | 16.5 | 36 | 16.5 | 8.5 | 8  | 20.5 | 8 | 94 |