

Technical Data Sheet:	DS350/0417
Product Description	Reducing Divider - Nylon conduit fitting
Product Range	FPA - Nylon fitting divider

FLEXICON

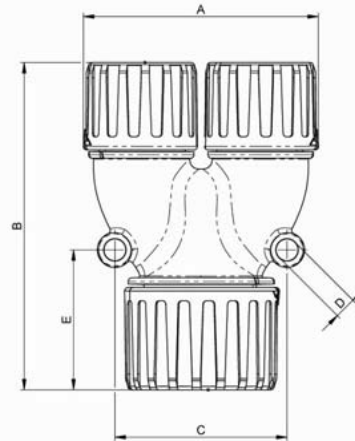
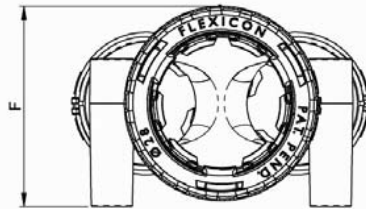
FLEXIBLE CONDUIT SOLUTIONS



Roman Way, Coleshill
Birmingham
B46 1HG, United Kingdom
Tel: 00 44 (0)1675 466900
Website: www.flexicon.uk.com



• **FPA fittings - IP66**



Material:
Nylon PA66

Colour:
Black as standard.

Grey (RAL7031) available on request

Fire Performance:
Extra Low Fire Hazard
- Halogen, Sulphur & Phosphorous Free

For full details of fire performance details of PA66 fittings see data sheet reference DS601

IP Rating:

FPA: IP66
(NB: For higher IP ratings see FPAX fittings)

Applications:

Reducing in-line divider suitable for dividing circuits and enabling a reduction of conduit sizes within an installation.

Features:

- One piece
- Fast Fit
- UV Resistant - Black
- Anti vibration and tamper resistant
- Suitable for fine or coarse pitch conduits
- Complete with 2 fixing bosses
- Rounded Internal Corners ease cable insertion
- Can be removed using a screwdriver if required

Temperature Performance:

-50°C to +135°C

Conduit In	Conduits Out	Part Number	Nominal Dimensions (mm)					
			A	B	C	D	E	F
16	13	FPA16-13-13#	49	77	24	4.0	33	29
21	16	FPA21-16-16#	59	89	32	5.0	33	32
28	21	FPA28-21-21#	67	93	49	6.0	40	45
34	28	FPA34-28-28#	90	116	48	6.5	43	51

NB: # add B for Black and G for Grey

Compliance, Approvals & Accreditation;



EN 61386 Classification Available on request

Vibration and Shock resistant to EN 61373 Cat 2

Typical Applications;



Errors, omissions and amendments excepted. As part of continuing product development Flexicon Ltd reserve the right to alter product specifications without prior notice. Data given is correct at time of compilation. Product specification and application data is for guidance only and does not constitute a warranty of any kind, either expressed or implied for Flexicon products or their suitability for a specific purpose. Third party approvals maybe limited to certain sizes within a product range.

Created by: Sarah Lee - Marketing Assistant	Approved by: Ian Gibson - Technical Director	Date: April 2017	Page Number: Page 1 of 1
---	--	----------------------------	------------------------------------