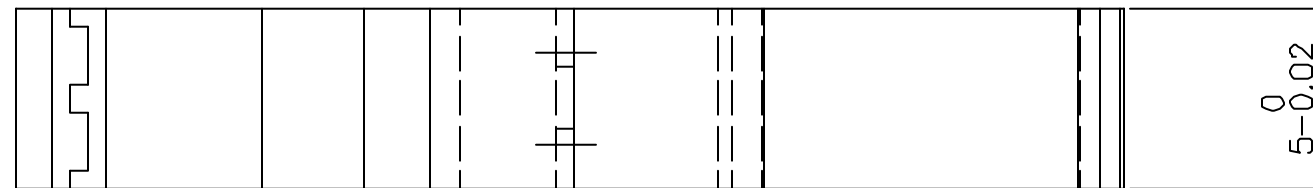
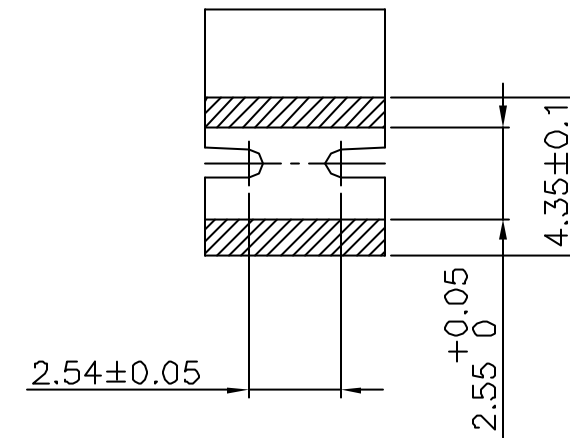
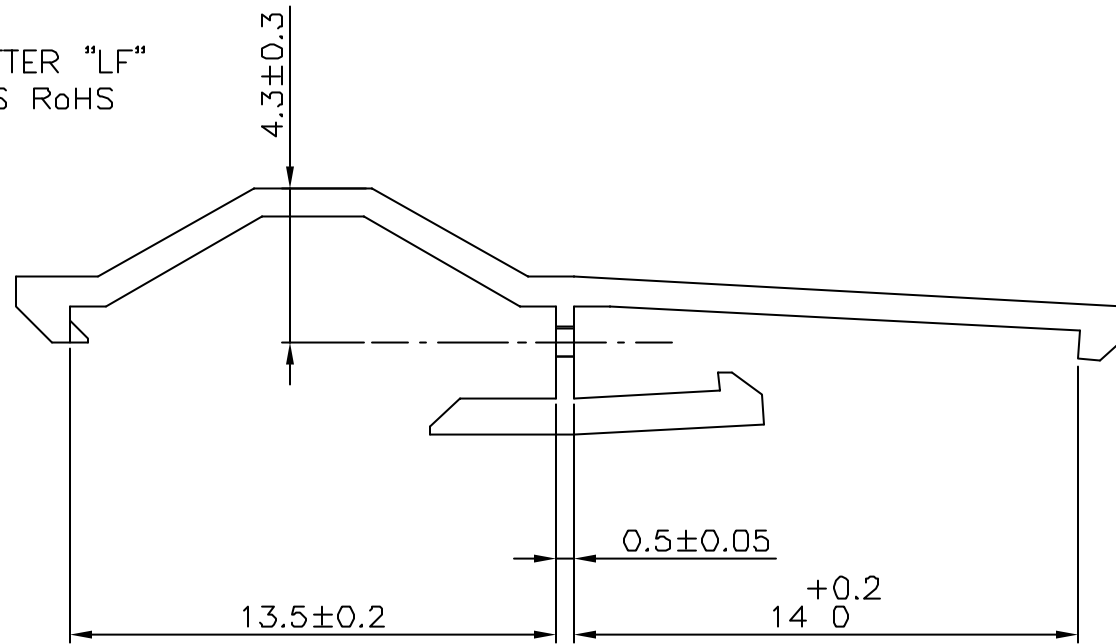


FCI CONFIDENTIAL

This document is the property of and embodies CONFIDENTIAL and PROPRIETARY information of FCI. No part of the information shown on this document may be used in any way or disclosed to others without the written consent of FCI. Copyright FCI.

PRODUCT NUMBER
67008-001(LF)

WHEN NEEDED, SUFFIX LETTER "LF" INDICATES THE PRODUCT IS RoHS COMPLIANT, SEE NOTE 3



NOTES:

- 1- MATERIAL LATCH: NORYL UL 94-V1
- 2- THIS LATCH IS INTENDED FOR USSE IN COMBINATION WITH SINGLE ROW MINI LATCH HOUSING P/N 65039.
- 3 - RoHS COMPATIBLE PRODUCT SPECIFICATIONS
 - a - LABELING:
 - MEETS PACKAGING SPECS AS PER GS-14-920
 - b - LEGAL STATEMENT: SEE GS-22-008

THE PRODUCT IS NOT INTENDED TO BE EXPOSED TO A MANUFACTURING SOLDER PROCESS.

mat'l. code				surface		tolerance		projection		product family	
SEE NOTE				ISD 1302		ISD 406 ISD 1101		mm		BERGCON	
ltr	ecn no	dr	date	tolerances unless otherwise specified							
E	F05-0286	DLE	05.11.07	angles						title	
F	F06-0218	DLE	06.07.11	linear						LATCH	
								scale 5:1		FLYING CONNECTION S.R.	
				dr	D LEGRAND	05.08.17		FCI		dwg no	sheet 1 of 1
				enfr	P NIZZI	05.08.17				67008	size
				chr	D LE	05.08.17				A3	
				appd	P NZ	05.08.117				type	
										CUSTOMER Drawing	
sheet index	revision sheet										