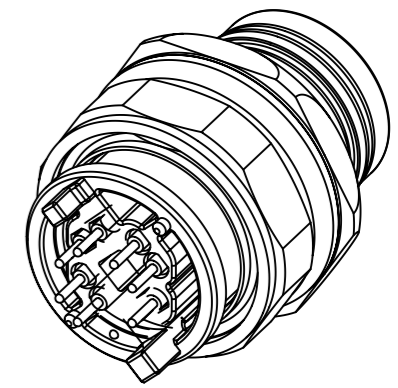
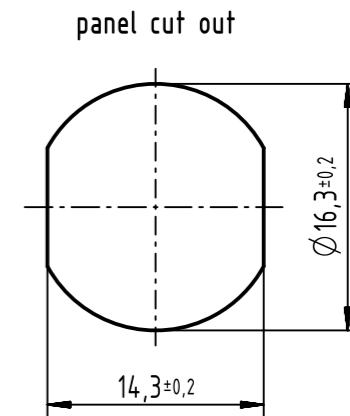
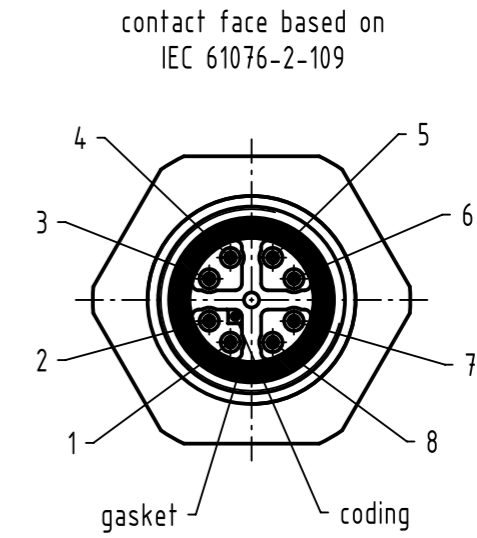
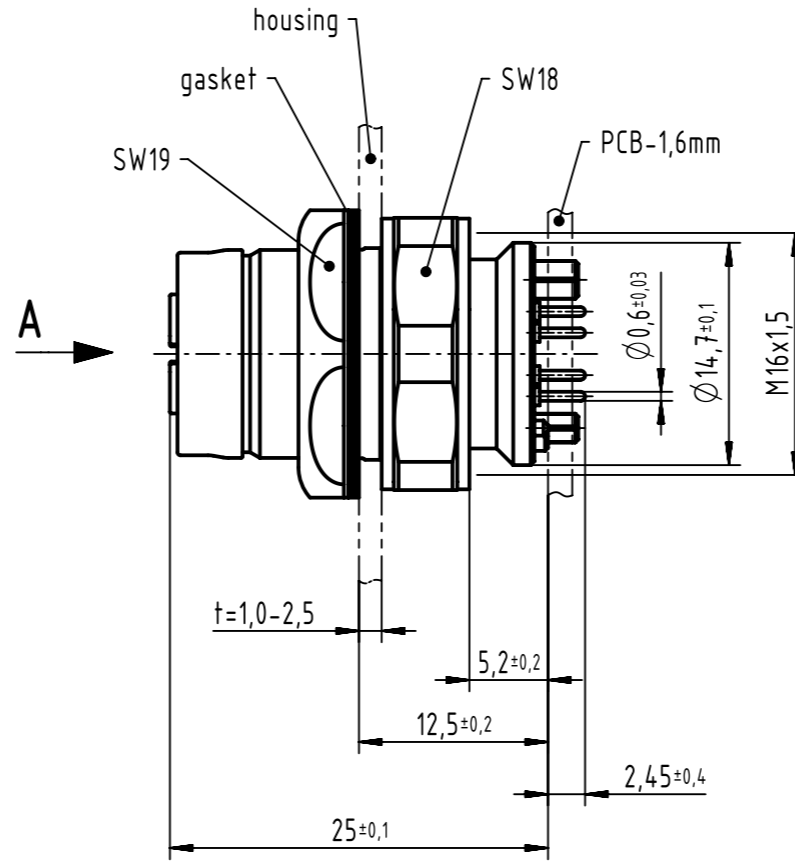
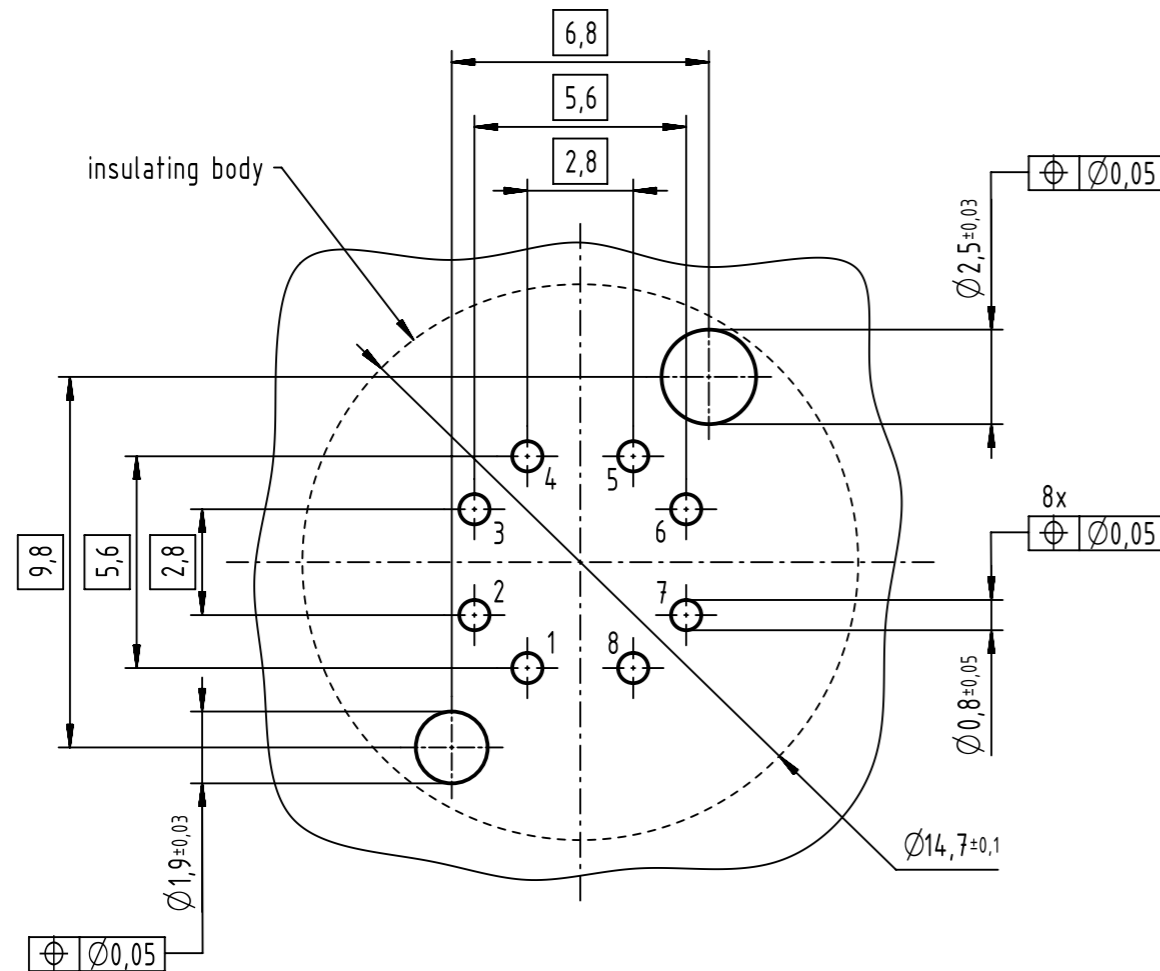


A (5:1)
recommended PCB-layout



pin assignment		
pin	Signal	pair
1	TD1+	2
2	RD1-	2
3	TD2+	3
4	RD2-	3
5	TD4+	4
6	RD4-	4
7	RD3-	1
8	TD3+	1

- 500 mating cycles acc. to IEC 60512-9-1
- design for reflow soldering
- 60 pcs. tray package

	All rights reserved		Scale 2:1	Free size tol.	Ref.	
	Department EC PD - DE		Created by DYCKC	Inspected by HARLASS	Standardisation KOHLER	Sub.
HARTING Electronics GmbH		Title har-speed M12 PCB Cat5 receptacle straight front			Date 2017-08-31	State Final Release
D-32339 Espelkamp		Type TB	Number 21033812803		Doc-Key / ECM-Nr. 100230900/UGD/000/G 500000119651	
					Rev. G	Page 1/1