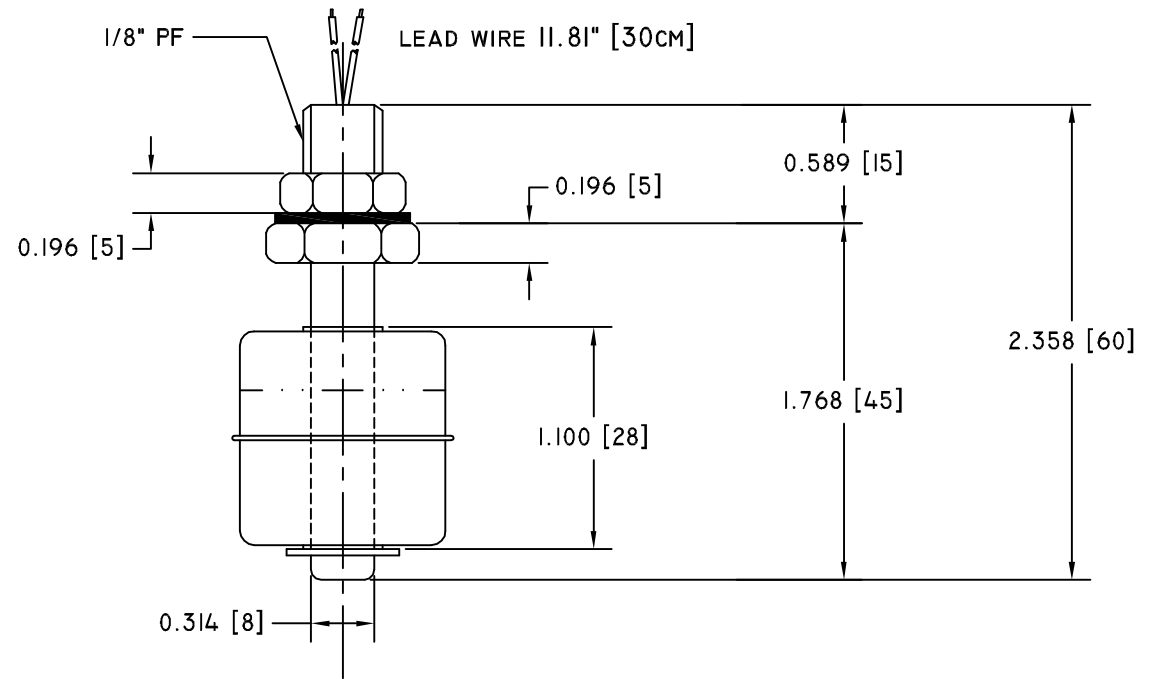


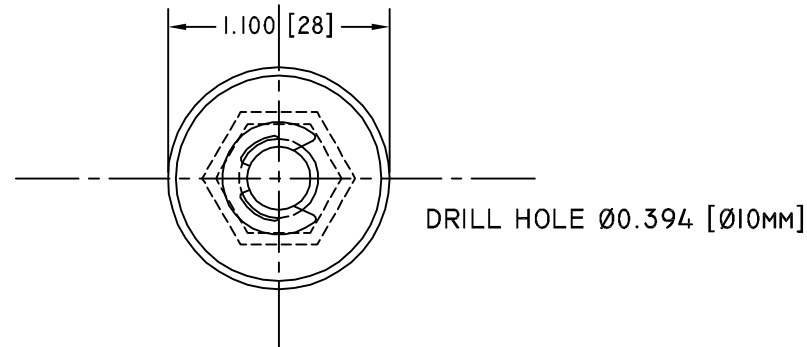
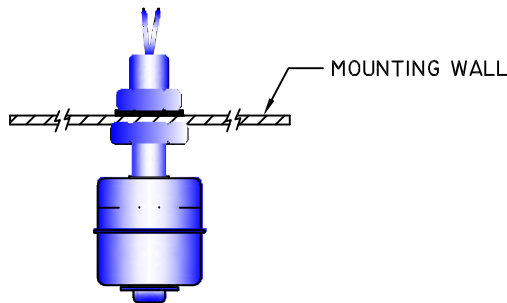
| REV. | DATE     | REVISION DESCRIPTION | DR.  |
|------|----------|----------------------|------|
| ---  | 05/19/03 | ORIGINAL             | R.F. |

NOTES:

- 1. ELECTRICAL
  - 1.1 SWITCHING CAPACITY MAX. 50W. SPST.
  - 1.2 SWITCHING VOLTAGE MAX. 240VAC / 200VDC
  - 1.3 SWITCHING CURRENT MAX. 0.5A.
  - 1.4 CARRY CURRENT MAX. 1A.
- 2. OPERATIONAL:
  - 2.1 TOP OR BOTTOM MOUNTING
  - 2.2 REVERSIBLE SWITCH ACTION
  - 2.3 NORMAL OPEN (N.O.) SPST.
  - 2.4 OPERATING TEMPERATURE -10°C TO 128°C
  - 2.5 MAX. PRESSURE 10 (Kg/cm)
  - 2.6 SUITABLE SPECIFIC GRAVITY OF LIQUID 0.8
- 3. FINISH:
  - 3.1 STAINLESS STEEL SUS304,316
  - 3.2 LEAD WIRE UL3266, AWG 22



WORKING POSTION



# COMUS INTERNATIONAL

454 ALLWOOD ROAD, CLIFTON, NEW JERSEY 07012

TEL. (973) 777-6900

|             |           |      |
|-------------|-----------|------|
| ENGINEERING |           |      |
| QUALITY     |           |      |
| PRODUCTION  |           |      |
| APPROVAL    | SIGNATURE | DATE |

UNSPECIFIED TOLERANCES  
 DECIMAL: .XX ±.01 [.254]  
 .XXX ±.005 [.127]  
 FRACTIONAL: ± 1/64 [.397]  
 ANGULAR: ± 1/2°

|                     |                |                    |                    |
|---------------------|----------------|--------------------|--------------------|
| REF.:               | SCALE:<br>NONE | DRAWN BY:<br>R. F. | DATE<br>05/19/2004 |
| TITLE: FLOAT SWITCH |                |                    |                    |
| TYPE: PRODUCTION    |                | DRAWING #: VFS-30  |                    |