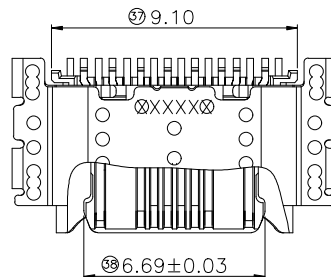
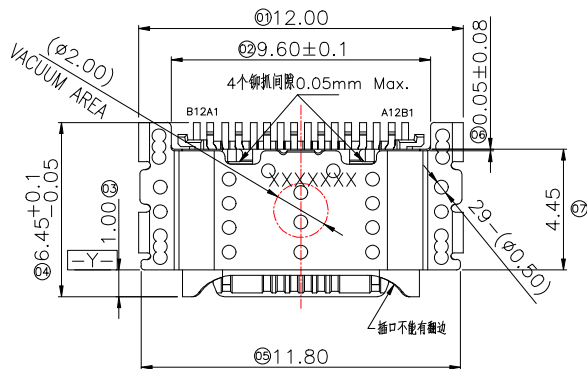
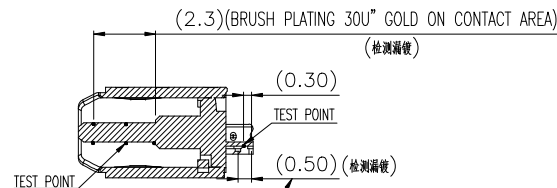
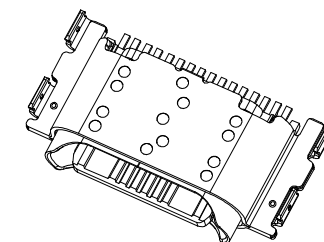
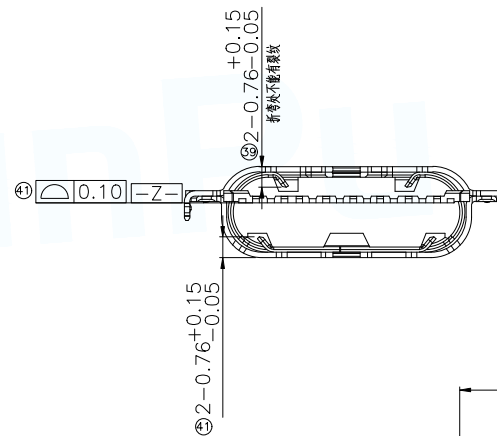
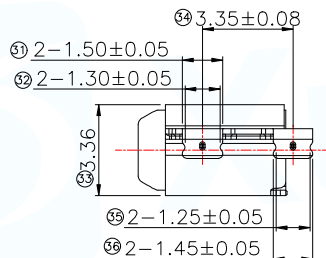
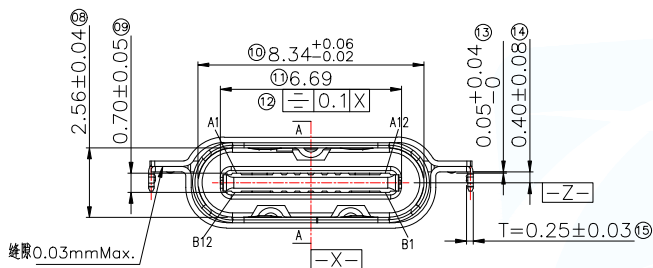


MAPX	MODIFICATION	DATE	DRAW	APPROVE

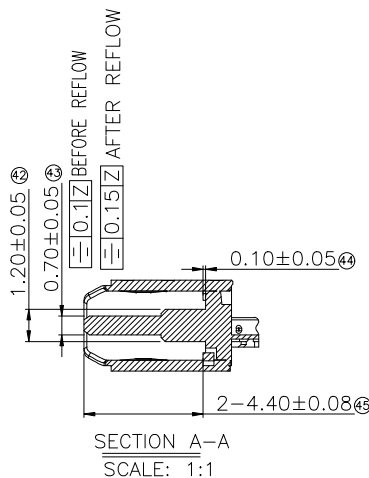
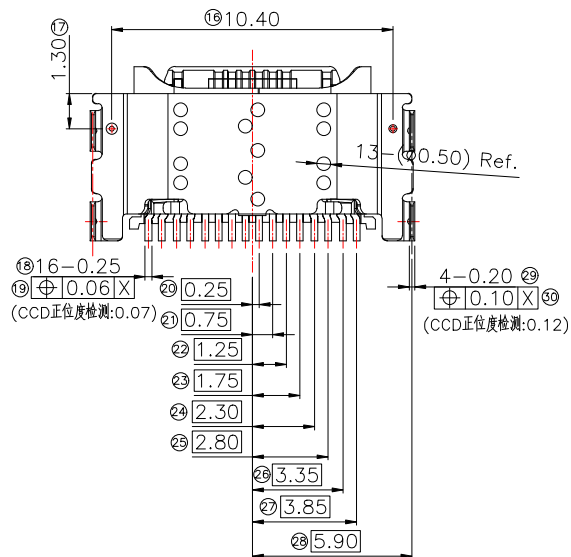


NOTES:

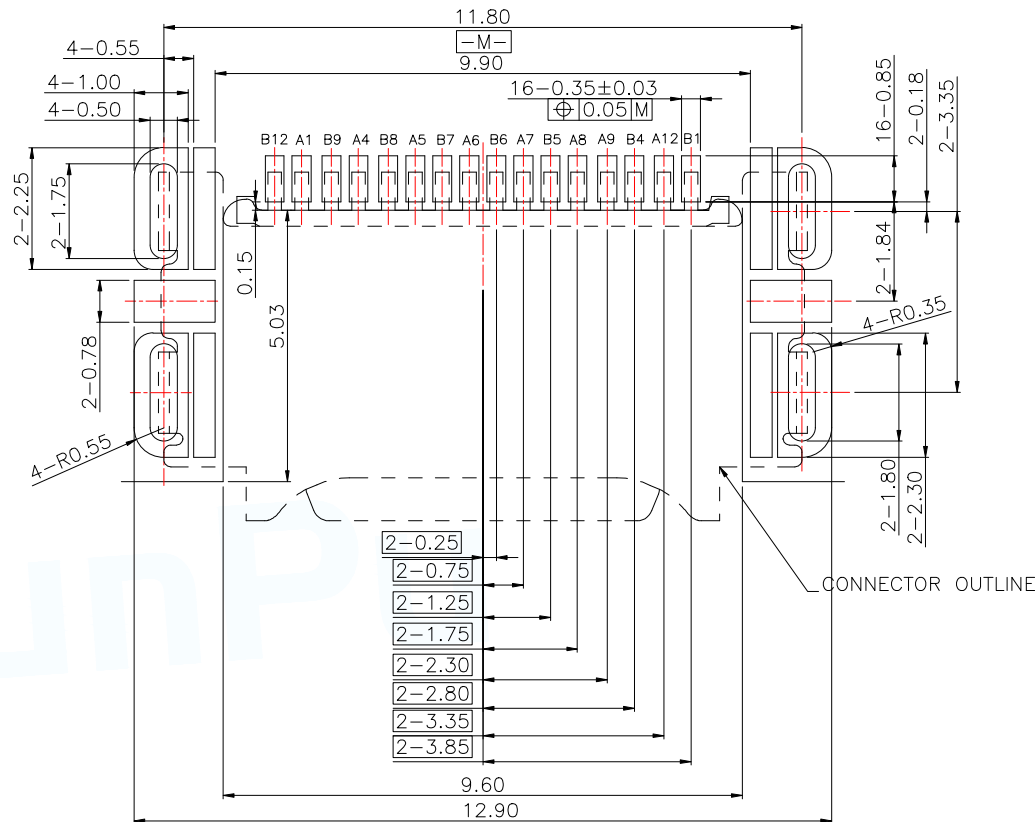
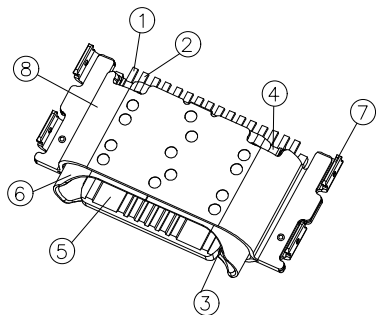
- ELECTRICAL CHARACTERISTICS:
 - CURRENT RATING: VBUS AND GND CONTACTS RATED AT 2.5A MAX., PARALLELED FOR A TOTAL OF 7.5A MAX.
 - TEMPERATURE RANGE: -40 °C ~ 85 °C
 - CONTACT RESISTANCE: 30 MILLIONHM MAX.
 - DIELECTRIC WITHSTANDING VOLTAGE: 500 VAC r.m.s
 - INSULATION RESISTANCE: 100 MEGOHMS MIN.
- MECHANICAL CHARACTERISTICS
 - INSERTION FORCE: 5~20N
 - EXTRACTION FORCE: INITIAL:8~20N; DURABILITY:8~20N(1000CYCLES),6~20N(10000CYCLES);
 - DURABILITY:10,000CYCLES.
 - PLUG垂直顶塑胶(避开铁壳止挡位), 顶出力14kgf Min.,垂直顶插口止挡位,顶出力20kgf Min.
 - 上下壳焊接后剥离强度50kgf Min.
- ENVIRONMENTAL SUBSTANCE CONTROL SHOULD COMPLY WITH FAF JH-GP-213'S SPECIFICATION;
- HOUSING FLASH: 0.10 MM MAX,METAL BURR:0.05 MM MAX.



(BRUSH PLATING 2~8u" GOLD ON SOLDER TAIL AREA)
SECTION A-A



MANUFACTURE DWG		东莞市讯普电子科技有限公司 DongGuan XunPu Electronics Co.,Ltd	
UNLESS OTHERWISE SPECIFIED TOLERANCES			TITLE:USB TYPE C 16PIN SMT TYPE WITH NOTCH L6.45
DECIMALS:	ANGLES:		PAR TYPEC-320-ARP16SC20
.X:±0.30	.X':±10°		DWN
.XX:±0.20	.X':±8°		CHKD
.XXX:±0.10	.XX':±5°	APVD	SCALE1:1 UNIT:MM
CUSTOMER COPY		SIZE:A4	SHEET:1F1 REV:A



PART NOTES:

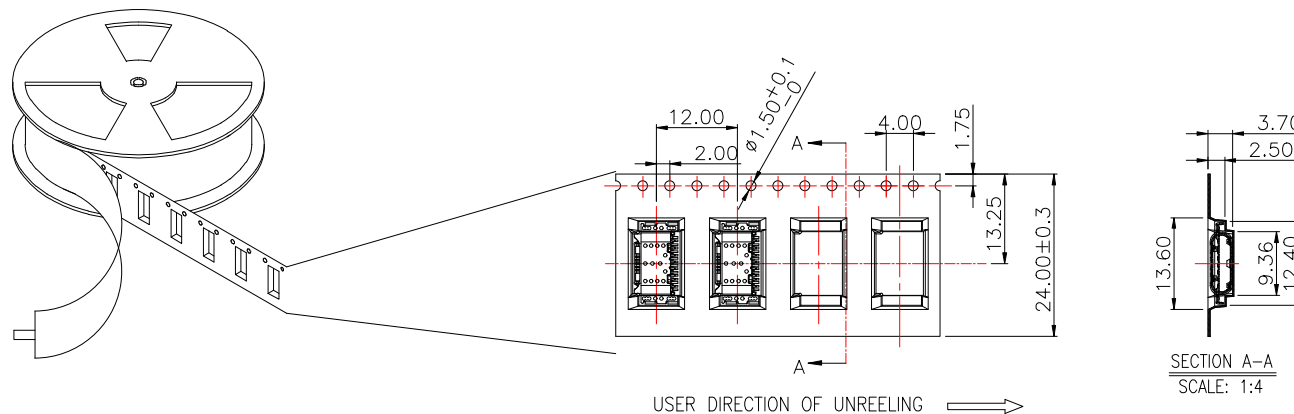
8	BOTTOM SHELL	1	SUS301-H	1.Ni 50u* Min OVERALL; 2.SOLDER AREA: 1~3u*Au PALTING
7	TOP SHELL	1	SUS301-H	
6	MAIN MOLDING	1	SUS301-H	
5	SECOND MOLDING	1	PA46 HFX33S	BLACK UL94 V-0
4	FIRST MOLDING	1	PA46 HFX33S	BLACK UL94 V-0
3	SHIELDING PLATE	1	SUS301-H	NO PLATING
2	BOTTOM CONTACT	1	C18400-R540	1.Ni 50u* Min OVERALL; 2.CONTACT AREA: Au 30u* Min. ON CONTACT SURFACE; 3.SOLDER AREA: Au 2u* Min.WITH SPOT PLATING(DOUBLE FACE)
1	TOP CONTACT	1	C18400-R540	
ITEM	PART NAME	Q'TY	MATERIAL	FINISH

PIN ASSIGNMENTS

MID PLATE	GND	GROUND RETURN, CONTACT A1	MID PLATE	GND	GROUND RETURN, CONTACT A12&B1
A12	GND	GROUND RETURN	B1	GND	GROUND RETURN
A9	VBUS	BUS POWER	B4	VBUS	BUS POWER
A8	SBU1	SIDEBAND USE(SBU)	B5	CC2	CONFIGURATION CHANNEL
A7	DN1	POSITIVE HALF OF USB2.0 DIFFERENTIAL PAIR-POSITION1	B6	DP2	POSITIVE HALF OF USB2.0 DIFFERENTIAL PAIR-POSITION1
A6	DP1	POSITIVE HALF OF USB2.0 DIFFERENTIAL PAIR-POSITION1	B7	DN2	POSITIVE HALF OF USB2.0 DIFFERENTIAL PAIR-POSITION1
A5	CC1	CONFIGURATION CHANNEL	B8	SBU2	SIDEBAND USE(SBU)
A4	VBUS	BUS POWER	B9	VBUS	BUS POWER
A1	GND	GROUND RETURN	B12	SBU	SIGNAL PIN, NOT CONTACT GND
PIN No.	NAME	DESCRIPTION	PIN No.	NAME	DESCRIPTION

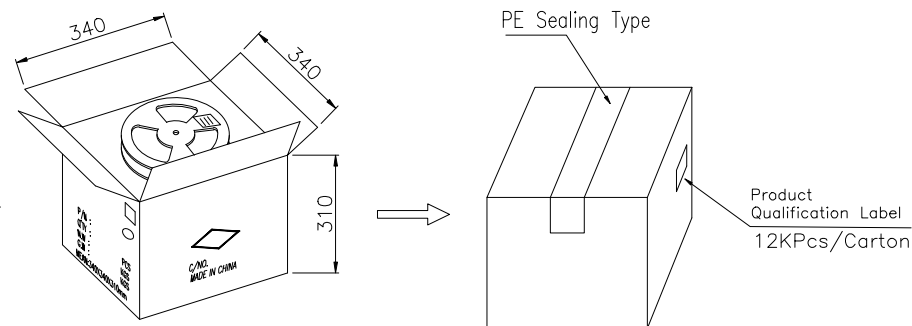
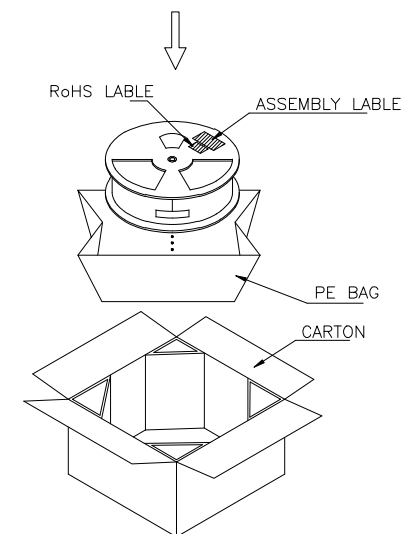
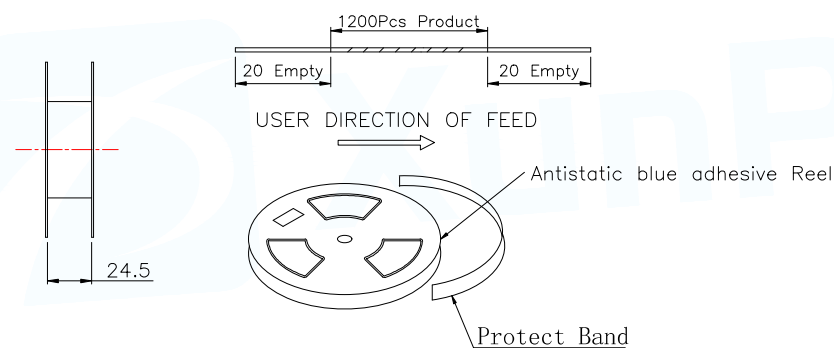
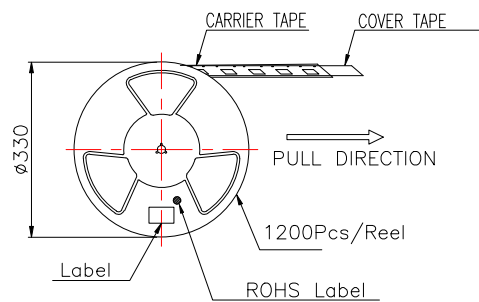
RECOMMENDED P.C.B. LAYOUT (THICKNESS:0.80MM)
TOLERANCE UNSPECIFIED ±0.05mm SCALE: 2:1

MANUFACTURE DWG			 东莞市讯普电子科技有限公司 DongGuan XunPu Electronics Co.,Ltd	
UNLESS OTHERWISE SPECIFIED TOLERANCES			TITLE:USB TYPE C 16PIN SMT TYPE WITH NOTCH L6.45	
DECIMALS:	ANGLES:	PAR	TYPEC-320-ARP16SC20	
.X:±0.30	.X':±10°	DWN		
.XX:±0.20	.X':±8°	CHKD		
.XXX:±0.10	.XX':±5°	APVD		
CUSTOMER COPY		SCALE1:1	UNIT:MM	
		SIZE:A4	SHEET:1F1	REV:A



USER DIRECTION OF UNREELING →

SECTION A-A
SCALE: 1:4



NOTES 1 :

1. Put the finished product into CARRIER TAPE according to the specified packaging quantity as shown in the figure. Then paste one Part label and one RoHS label on the reel.
2. Every 10 rolls is packed into a Carton, 1200PCS/Reel, 12000PCS/Carton;
3. After the carton is sealed, the carton is sealed with sealant, and the shipping label and RoHS label are pasted on the side;
4. Label;If the customer requires another label, the label shall be affixed according to the requirements specified in the order;
5. The outer case is bound with sealing tape;
- 6.This packing method is applicable to the products: TYPEC-320-ARP16SC20

NOTES 2:

- 1,Tape Reel Material:PET Transparent
- 2,Package Content: See Tab below

PRODUCT No.	QTY/REEL	REEL/CARTON	QTY/CARTON
TYPEC-320-ARP16SC20	1200PCS	10 REEL	12000PCS

MANUFACTURE DWG			东莞市讯普电子科技有限公司 DongGuan XunPu Electronics Co.,Ltd	
UNLESS OTHERWISE SPECIFIED TOLERANCES			TITLE:USB TYPE C 16PIN SMT TYPE WITH NOTCH L6.45	
DECIMALS:	ANGLES:		PAR	TYPEC-320-ARP16SC20
.X:±0.30	.X':±10°		DWN	
.XX:±0.20	.X'':±8°	CHKD		
.XXX:±0.10	.XX':±5°	APVD		
CUSTOMER COPY		SCALE1:1	UNIT:MM	
		SIZE:A4	SHEET:1F1	REV:A