

### Fixing bracket

For G13 built-in lampholders with split pins  
101712, 101716, 101769, 101773, 507133,  
507134, 537166, 537167, 537174, 537175,  
537182, 537183, 537206, 537207 (page 215)

Material: zinc-coated polished steel

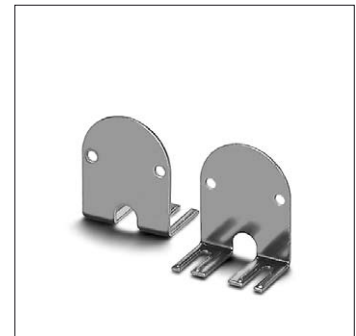
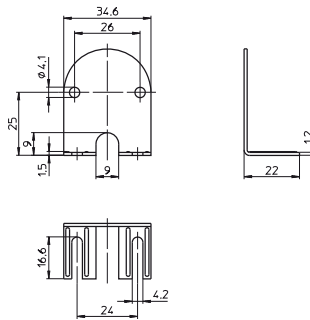
Lamp axis: 25 mm

Fixing slots for screws M4

Weight: 15.4 g, unit: 1000 pcs.

Type: 94089

**Ref. No.: 104824**



### Endbox

For recessed fittings

For G13 built-in lampholders 537174, 537206,  
537175 and 537207 (see page 215)

Material: PC, white

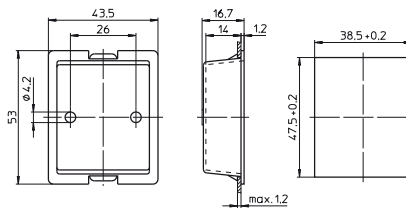
Depth: 16.7 mm

Clip fixing for wall thickness up to 1.2 mm

Weight: 4 g, unit: 500 pcs.

Type: 97479

**Ref. No.: 105758**



### Endbox

For recessed fittings

For G13 built-in lampholders 537174, 537206,  
537175 and 537207 (see page 215)

Material: PC, white

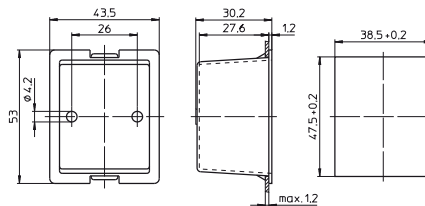
Depth: 30.2 mm

Clip fixing for wall thickness up to 1.2 mm

Weight: 7 g, unit: 500 pcs.

Type: 97480

**Ref. No.: 105760**



### Endbox

For recessed fittings

For G13 built-in lampholders 537174, 537206,  
537175 and 537207 (see page 215)

Material: PC, white

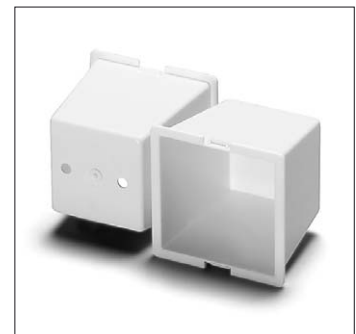
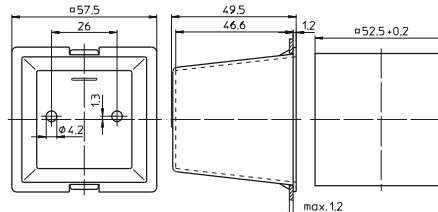
Depth: 49.5 mm

Clip fixing for wall thickness up to 1.2 mm

Weight: 16.7 g, unit: 250 pcs.

Type: 97481

**Ref. No.: 105762**



### Push-fit bracket

For G13 built-in lampholder 537174, 537206  
(see p. 215) and starter holder 101627 (see p. 237)  
and 109792 (see p. 238), material: PC, white

Lamp axis optional: 46/51/56 mm  
or 43 mm (lateral lamp insertion)

Push-fit foot for wall thickness 0.5–1 mm

Option for lateral or base wiring

Weight: 5.3 g, unit: 1000 pcs.

Type: 97532

**Ref. No.: 105843**

