

■ Features

- Molding Inductor.
- Low Profile,Low Temp.
- Large Current(Over 15A).
- Customize For Different Need.
- Operating temperature:-40°C ~ +125°C.

■ Applications

- General Electronic.
- Video Device,TV,TFT.
- Power Module for PC.
- NB/Lap Top Computer.
- Server,VGA Card/Module.

■ Product Identification

$\frac{\text{YSPI}}{(1)} \quad \frac{\square\square\square\square}{(2)} - \frac{\square\square\square}{(3)} \quad \frac{\square}{(4)}$

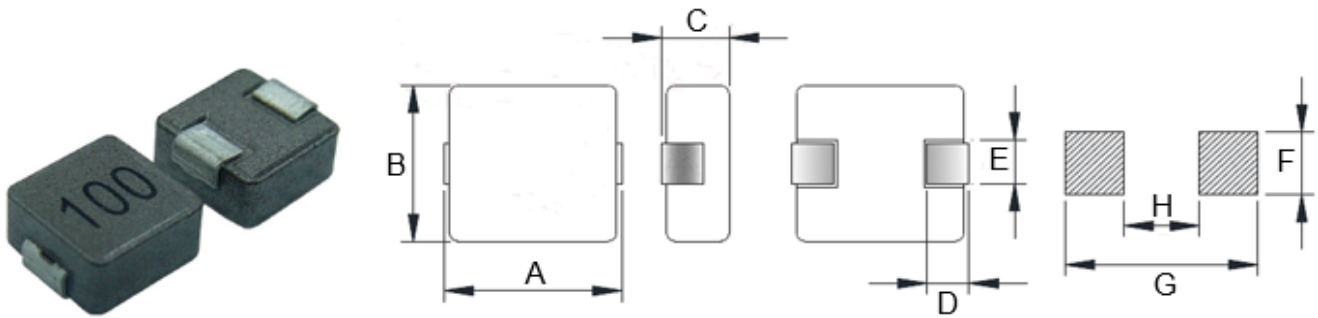
(1) : Type

(2) : Dimensions

(3) : Inductance value

(4) : Inductance Tolerance : N=±30%,M=±20% , K=±10%

■ Shapes and Dimensions (Unit: mm)



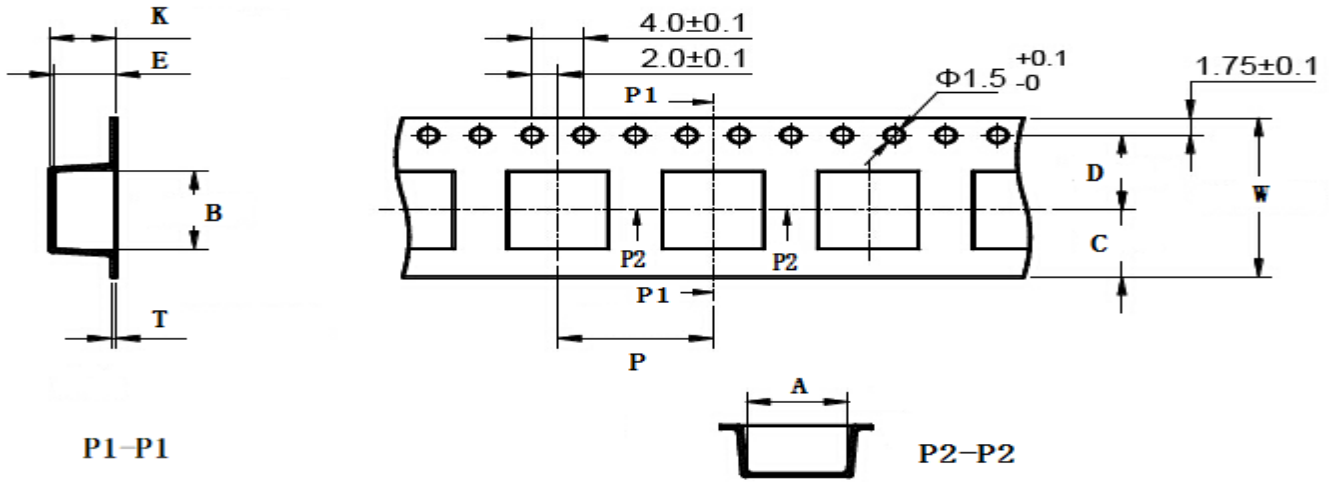
TYPE	A	B	C Max.	D	E	F Ref.	G Ref.	H Ref.
YSPI0840	8.7±0.3	8.1±0.2	4.0	2.0±0.3	3.0±0.2	3.2	9.0	4.7

■ YSPI0840 Series

Part Number	Inductance (uH) @100KHz	DC Resistance (mΩ) Max.	Heat Rating Current (A)	Saturation Current (A)
YSPI0840-R82□	0.82	4.0	18.0	22.0
YSPI0840-2R2□	2.2	10.0	12.0	15.0
YSPI0840-3R3□	3.3	14.9	10.5	12.0
YSPI0840-4R7□	4.7	22.6	8.0	10.0
YSPI0840-6R8□	6.8	33.4	6.5	9.0
YSPI0840-100□	10	51.8	5.5	7.0
YSPI0840-150□	15	65.3	4.5	5.0
YSPI0840-220□	22	100	4.0	4.5
YSPI0840-330□	33	144	3.2	3.5
YSPI0840-470□	47	180	2.5	2.8

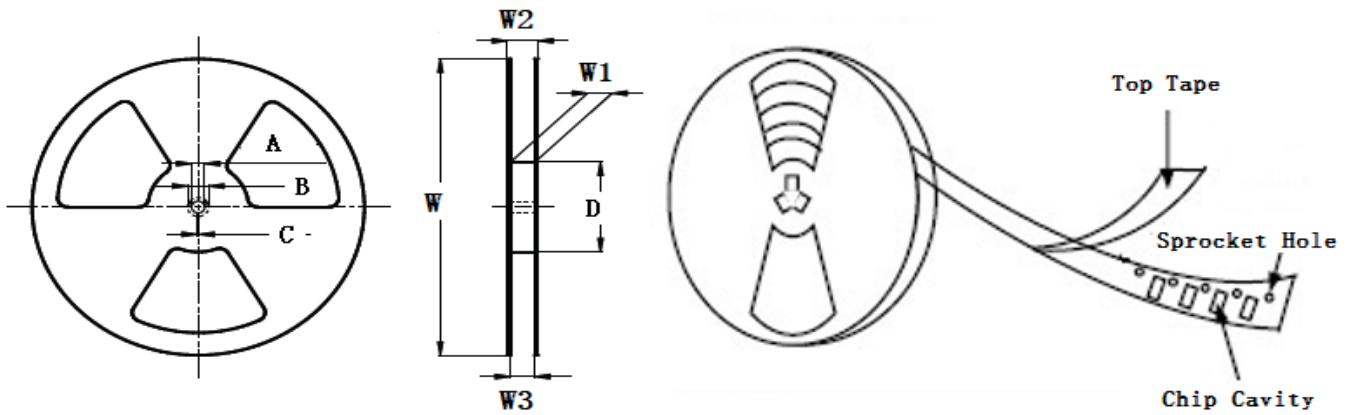
- ※ The saturation current value is the DC current value having inductance decrease down to 30%. (at 20°C)
- ※ The temperature rise current value is the DC current value having temperature increase up to 40°C. (at 20°C)
- ※ The rated current is the DC current value that satisfies both of current value saturation current value and temperature rise current value.

■ Taping Dimensions(Unit:mm)



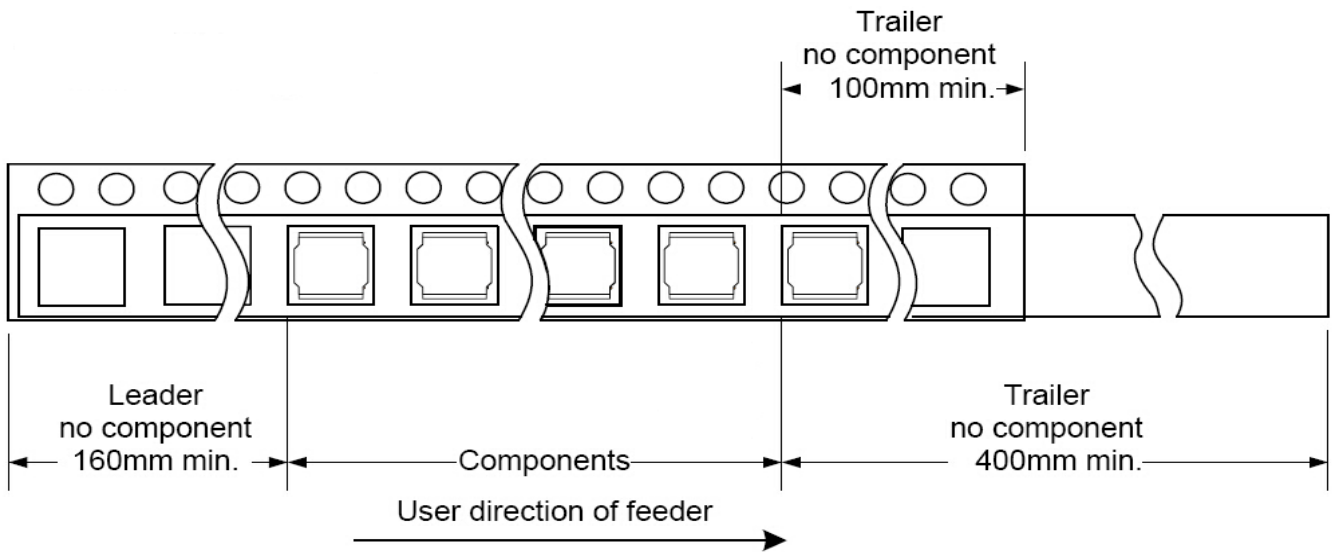
TYPE	W	A	B	C	D	E	P	K Ref	T	MPQ
YSPI0840	16±0.3	7.7±0.1	8.20±0.1	6.75	7.5±0.1	5.5±0.1	12±0.1	5.1	0.40±0.05	1000

■ Reel Dimensions(Unit:mm)

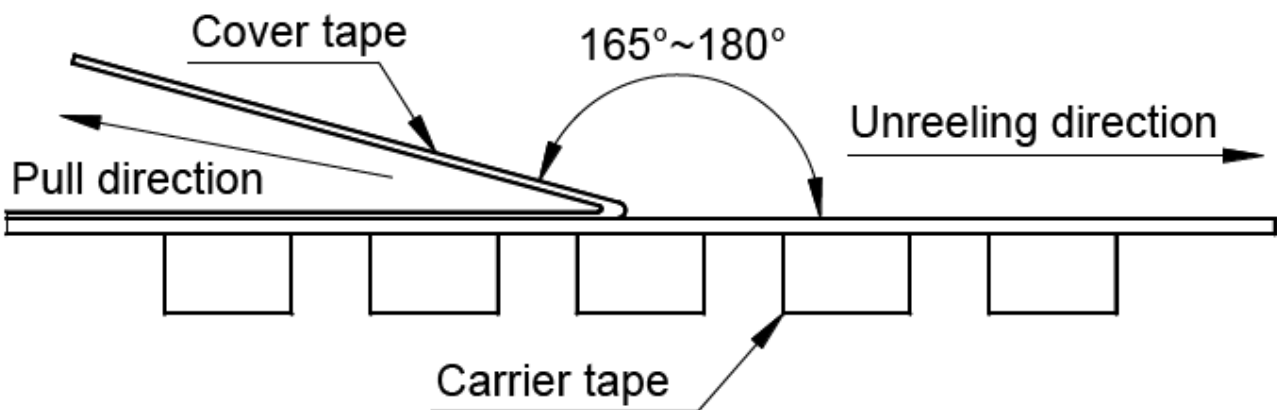


TYPE	W	W1	W2	W3	A	B	C	D
YSPI0840	330±2.0	16.4±2.00	22.4MAX	15.9 Min	13.0±0.50	21.0±0.80	2.0±0.50	100 Min

Direction of rolling



Cover tape peel off condition



Cover tape peel force shall be 0.1N to 1.3N.

Reference peel speed 300 ± 10 mm/min.