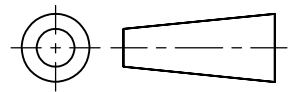


DO NOT SCALE

DIMENSIONS IN mm

METRIC

THIRD ANGLE
PROJECTION



F

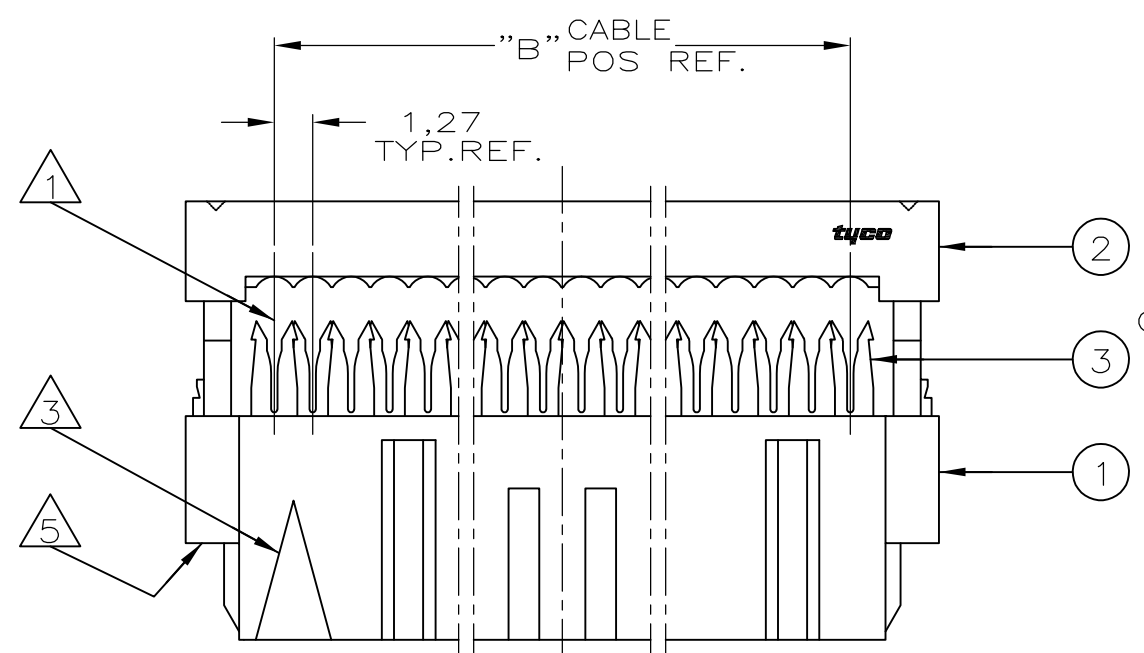
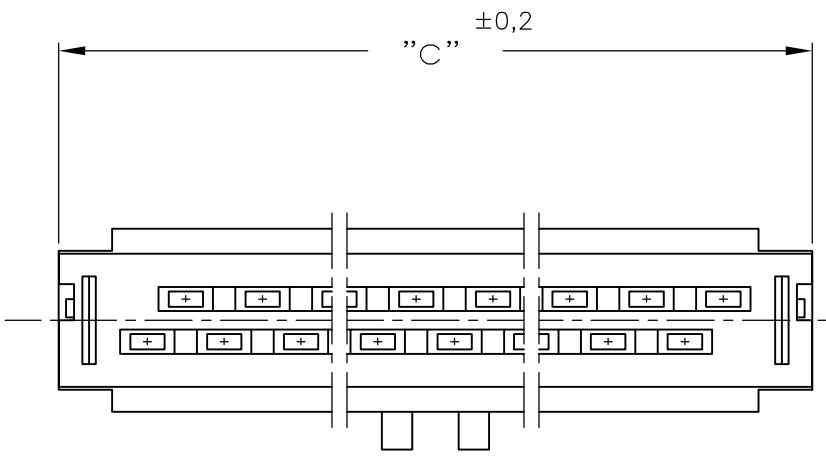
E

D

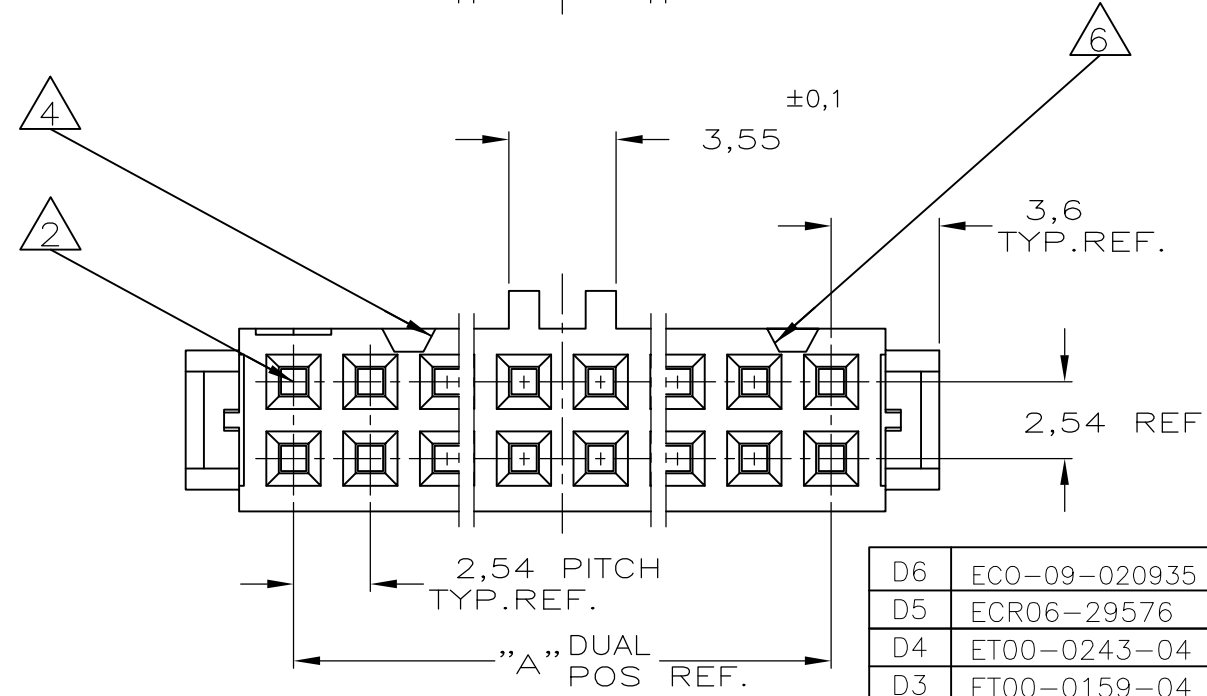
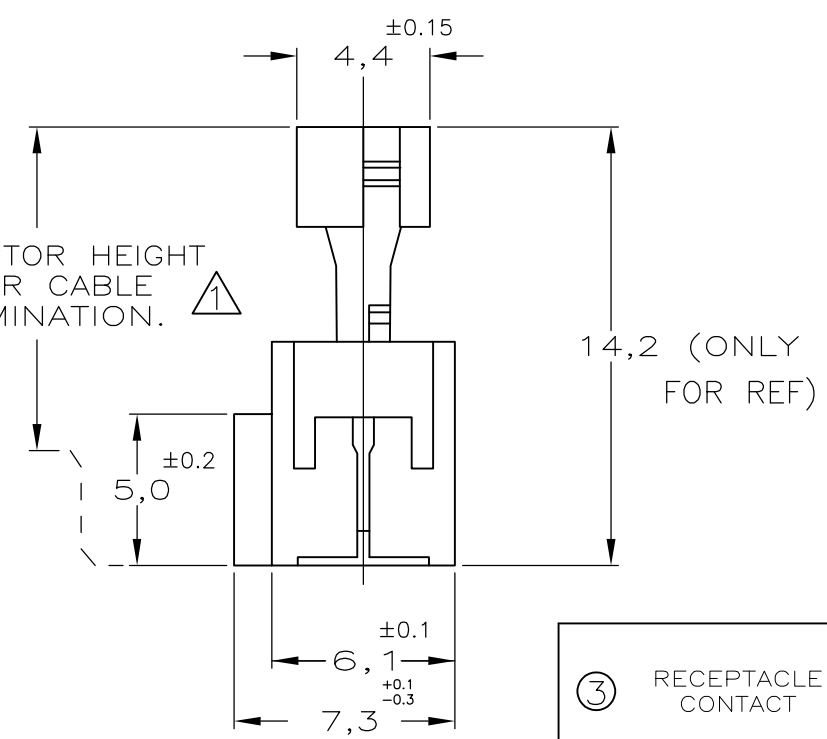
C

B

A



CONNECTOR HEIGHT
AFTER CABLE
TERMINATION. ①



D6	ECO-09-020935	KK/AEG	31AUG09
D5	ECR06-29576	A.V.	15-12-06
D4	ET00-0243-04	A.V.	-
D3	ET00-0159-04	A.V.	13-07-04
D2	ET00-0180-03	A.V.	19-01-04
D1	ET00-0093-03	SS	23-05-03
LTR	REVISION RECORD	DR	DATE

DR.	DATE
W.R.VERBEET	4-2'88
CHK.	DATE
R.VERSTIJNEN	5-2'88
APP.	DATE
L.v SOEST.	5-2'88

③ RECEPTACLE CONTACT	PHOSPHORBRONZE Cu Sn6	AT CONTACT-PLACE: 0,2µmGOLD AT WIRING END: 2,5µmTIN ENTIRE UNDERCOATING: 1,27µmNICKEL
② COVER	THERMOPLASTIC POLYESTER UL 94 -V0	GREY RAL 7032 (ONLY FOR REF.)
① HOUSING		
COMPONENT NAME	MATERIAL	PLATING / COLOUR

CUSTOMER DRAWING

FOR REFERENCE ONLY
WILL NOT BE UPDATED

tyco Electronics

AMP ITALIA S.p.A
Corso F.LLI Cervi, 15
COLLEGNÒ (TORINO)

~~THIS DRAWING IS UNPUBLISHED~~ RELEASED FOR PUBLICATION 4JAN ,1988

© COPYRIGHT 19 88 BY AMP-HOLLAND B.V.
ALL INTERNATIONAL RIGHTS RESERVED.
AMP PRODUCTS MAY BE COVERED BY U.S. AND FOREIGN PATENTS AND/OR
PATENTS PENDING.

WIRE RANGE	NAME		
- // -	AMP-LATCH_MIL-TYPE RECEPTACLE_CONNECTOR ASSEMBLY_(SYMMETRIC_COVER)		
INSUL.RANGE			
- // -			
SIZE	SHEET	DWG. No.	REV.LTR.
A3	1 OF 1	C-215911	D6

⑧ OBSOLETE	85,9	64	32	6-215911-4	D
	80,8	60	30	6-215911-0	D
	68,1	50	25	5-215911-0	D
	60,5	44	22	4-215911-4	D
	55,4	40	20	4-215911-0	D
	47,8	34	17	3-215911-4	D
	42,7	30	15	3-215911-0	D
	37,6	26	13	2-215911-6	D
	30,0	20	10	2-215911-0	D
	24,9	16	8	1-215911-6	D
	22,4	14	7	1-215911-4	D
	17,3	10	5	1-215911-0	D
⑧ OBSOLETE	-14,8	8	4	0-215911-8	C
⑧ OBSOLETE	12,2	6	3	0-215911-6	D
⑧ OBSOLETE	-9,7	4	2	0-215911-4	C
	DIM."C"	"B" CABLE POS.	"A" DUAL POS.	PARTNUMBER	PART REV.

8 7 6 5 4 3 2 1