

注記 NOTES

1. 材料 MATERIAL
 ピン : 黄銅, 錫メッキ
 PIN : BRASS, TIN PLATING
 ハウジング : PBT (ガラス入り: 15%), UL94V-0
 HOUSING : PBT(G.F.: 15%), UL94V-0
2. 嵌合相手 : 51353シリーズ
 MATE WITH : 51353 SERIES
3. ソルダータールキフは、両端の8ピンのみとする。
 KINK TO BE APPLIED FOR 8 PINS AT BOTH ENDS.

△ (全極数/2) = 偶数の場合に適用。
 APPLY FOR (CIRCUIT/2)=EVEN

△ 製品番号 MATERIAL NO.
 55959-**3*

極数 CIRCUIT SIZE 色 COLOR

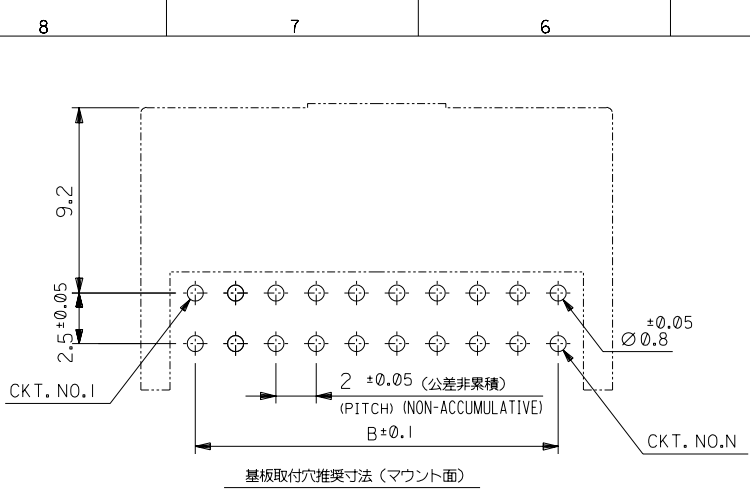
ナチュラル(白) NATURAL(WHITE)	0
黒 BLACK	1
赤 RED	2
黄 YELLOW	3
青 BLUE	4
桃 PINK	5
緑 GREEN	6
茶 BROWN	7
橙 ORANGE	8
紫 VIOLET	9

41.8	38	43.4	55959-403*	40
39.8	36	41.4	-383*	38
37.8	34	39.4	-363*	36
35.8	32	37.4	-343*	34
33.8	30	35.4	-323*	32
31.8	28	33.4	-303*	30
29.8	26	31.4	-283*	28
27.8	24	29.4	-263*	26
25.8	22	27.4	-243*	24
23.8	20	25.4	-223*	22
21.8	18	23.4	-203*	20
19.8	16	21.4	-183*	18
17.8	14	19.4	-163*	16
15.8	12	17.4	-143*	14
13.8	10	15.4	-123*	12
11.8	8	13.4	-103*	10
9.8	6	11.4	55959-083*	8
C	B	A	MATERIAL NO.	CKT.

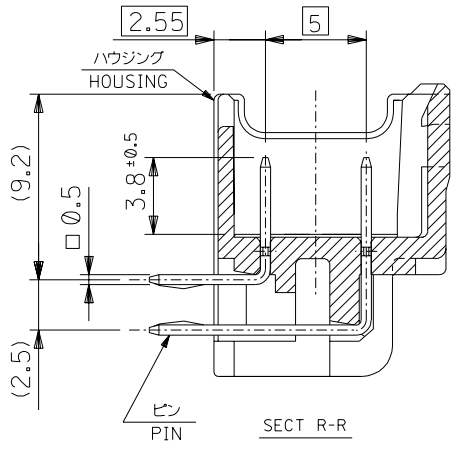
EC NO. DRWN: CHK: APPR:	EC NO. DRWN: CHK: APPR:	EC NO. DRWN: CHK: APPR:	REVISED	REVISED	MATERIAL 材料	GENERAL TOLERANCES: (UNLESS SPECIFIED) 一般公差	SCALE	DESIGN UNITS	MODEL NO.	DIMENSIONS:		SHT	REV
			EC NO. J2004-3728 DRWN: Y. WADA '04/04/09 CHK: M. SASAO APPR: M. SASAO	EC NO. J2003-3290 DRWN: N. ITO '03/06/26 CHK: K. ASAKAWA APPR: T. YAMAGUCHI			10 UNDER 未満	10 OVER 30 UNDER 未満	30 OVER 以上	10 UNDER 未満	10 OVER 30 UNDER 未満	30 OVER 以上	10 UNDER 未満
注記参照 SEE NOTES						FINISH 仕上げ		DRAWN BY & DATE N. ITO '02/02/24		THIRD ANGLE PROJECTION		TITLE: 2.0mm W-+-B DUAL CONN DIP PLUG HOUSING ASS'Y R/A (WITHOUT BOSS) -LEAD FREE-	
WIRE RANGE 適用線径範囲						ANGLE 角度		APPROVED BY & DATE T. YAMAGUCHI '03/06/26		MATERIAL NO. SEE CHART		DRAWING NO. SD-55959-003	
INS. RANGE 被覆外径								CAD FILENAME 55959003.S01		SHEET NO. 1 OF 3		SIZE B	

THIS DRAWING CONTAINS INFORMATION THAT IS PROPRIETARY TO MOLEX INCORPORATED AND SHOULD NOT BE USED WITHOUT WRITTEN PERMISSION.

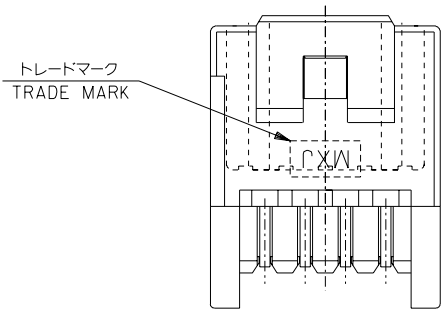
DWG. NO. SD-55959-003



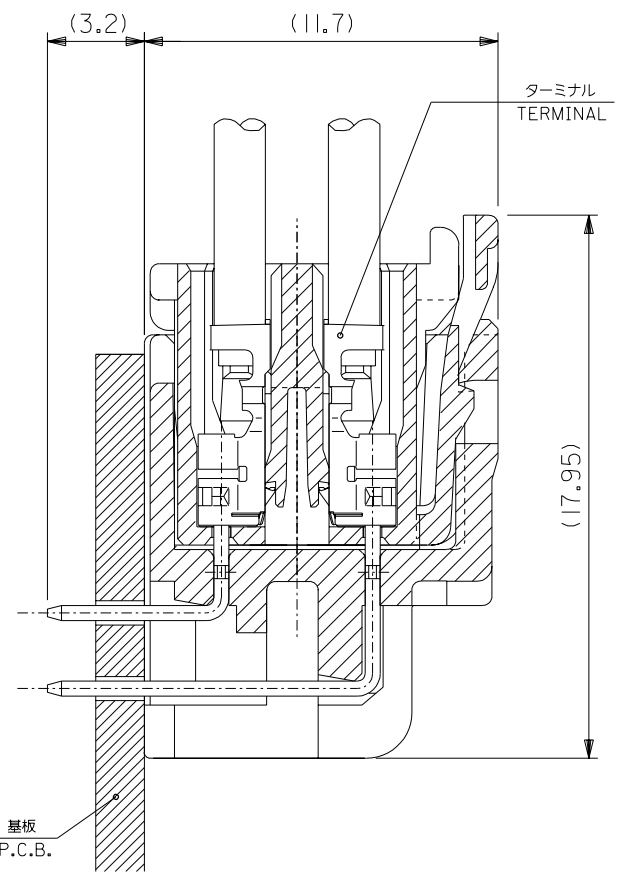
基板取付穴推奨寸法 (マウント面)
RECOMMENDED P.C.BOARD HOLE DIMENSION (MOUNTING SIDE)
(t = 1.2, 1.6)



SECT R-R



8 CIRCUIT



嵌合断面図 (参考)
MATED DRAWING (REF.)

DO NOT SCALE DRAWING

EC NO. DRWN: CHK: APPR:	EC NO. DRWN: CHK: APPR:	EC NO. DRWN: CHK: APPR:	REVISED EC NO. J2004-3728 DRWN:Y.WADA '04/04/09 CHK: M.SASAO APPR:M.SASAO	REVISED EC NO. J2003-3290 DRWN:N.ITO '03/06/26 CHK: K.ASAKAWA APPR:T.YAMAGUCHI	MATERIAL 材料 注記参照 SEE NOTES	GENERAL TOLERANCES: (UNLESS SPECIFIED) 一般公差
					FINISH 仕上げ //	10 UNDER 未満 ±0.2
					WIRE RANGE 適用 線径 範囲 //	10 OVER 30 UNDER 以上 未満 ±0.25
					INS. RANGE 被覆 外径 //	30 OVER 以上 ±0.3
						ANGLE 角度 ±3°

55959-***3		MODEL NO.	DIMENSIONS:		SHT	REV	
SCALE	DESIGN UNITS	THIRD ANGLE PROJECTION	<input type="checkbox"/> mm	<input type="checkbox"/> INCH	<input checked="" type="checkbox"/> mm ONLY	REVISE ON CAD ONLY	
DRAWN BY & DATE N.ITO '02/02/24	CHECKED BY & DATE K.ASAKAWA '03/06/26	TITLE: 2.0mm W-t-B DUAL CONN DIP PLUG HOUSING ASS'Y R/A (WITHOUT BOSS) -LEAD FREE-					
APPROVED BY & DATE T.YAMAGUCHI '03/06/26		MOLEX INCORPORATED		MATERIAL NO.	DRAWING NO.	SHEET NO.	
CAD FILENAME 55959003.S02		SEE CHART		SD-55959-003		2 OF 3	
THIS DRAWING CONTAINS INFORMATION THAT IS PROPRIETARY TO MOLEX INCORPORATED AND SHOULD NOT BE USED WITHOUT WRITTEN PERMISSION.						SIZE B	

EN-02J(097) MXJ-54

55959003.S02

F

D

V

C

B

DO NOT SCALE DRAWING

8 7 6 5 4 3 2 1

F

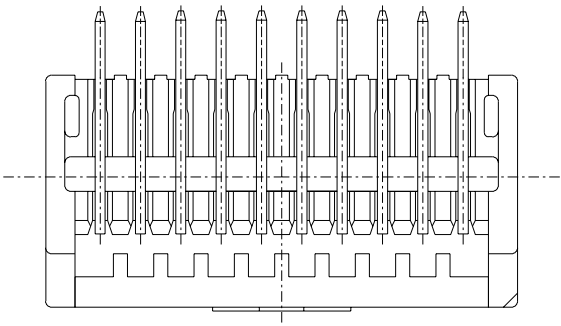
E

D

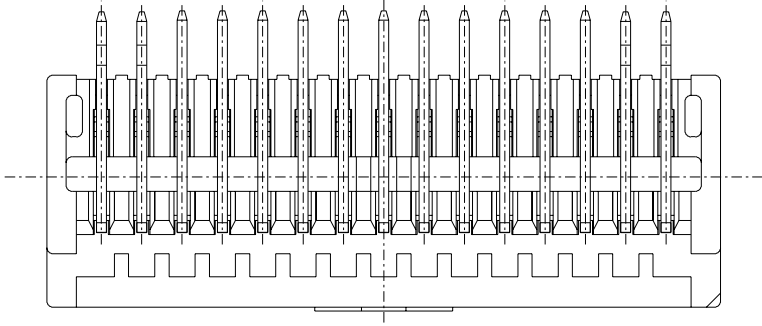
C

B

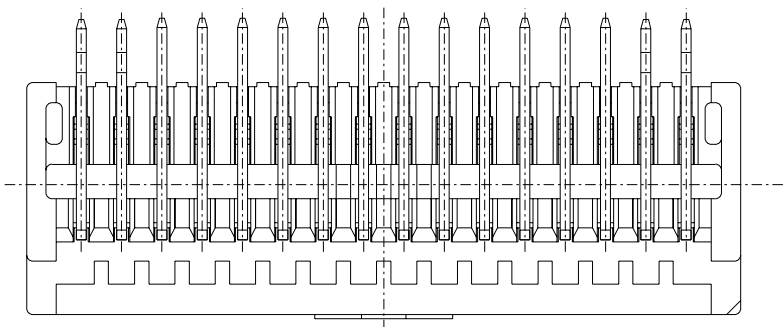
A



8-20 CIRCUIT



22,26,30,34,38 CIRCUIT



24,28,32,36,40 CIRCUIT

VIEW "T"

EC NO. DRWN: CHK: APPR:	EC NO. DRWN: CHK: APPR:	EC NO. DRWN: CHK: APPR:	REVISED EC NO. J2004-3728 DRWN:Y.WADA '04/04/09 CHK: M.SASAO APPR:M.SASAO	REVISED EC NO. J2003-3290 DRWN:N.ITO '03/06/26 CHK: K.ASAKAWA APPR:T.YAMAGUCHI	MATERIAL 材料 注記参照 SEE NOTES	GENERAL TOLERANCES: (UNLESS SPECIFIED) 一般公差	55959-***3	MODEL NO.	DIMENSIONS: <input type="checkbox"/> mm <input type="checkbox"/> INCH <input checked="" type="checkbox"/> mm ONLY	SHT	REV
8	7	6	F	E	FINISH 仕上り //	10 UNDER 未満	SCALE //	DESIGN UNITS <input checked="" type="checkbox"/> mm <input type="checkbox"/> INCH	<input checked="" type="checkbox"/> THIRD ANGLE <input type="checkbox"/> PROJECTION		
					WIRE RANGE 適用線径範囲 //	10 OVER 以上	DRAWN BY & DATE N.ITO '02/02/24	TITLE: 2.0mm W-t-B DUAL CONN DIP PLUG HOUSING ASS'Y R/A (WITHOUT BOSS) -LEAD FREE-			
					INS. RANGE 被覆外径 //	30 UNDER 未満	CHECKED BY & DATE K.ASAKAWA '03/06/26	MOLEX INCORPORATED			
						30 OVER 以上	APPROVED BY & DATE T.YAMAGUCHI '03/06/26	MATERIAL NO. SEE CHART	DRAWING NO. SD-55959-003	SHEET NO. 3 OF 3	SIZE B
						ANGLE 角度	CAD FILENAME 55959003.S03	THIS DRAWING CONTAINS INFORMATION THAT IS PROPRIETARY TO MOLEX INCORPORATED AND SHOULD NOT BE USED WITHOUT WRITTEN PERMISSION.			
							EN-02J(097) MXJ-54				

8 7 6 5 4 3 2 1