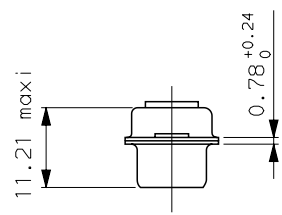
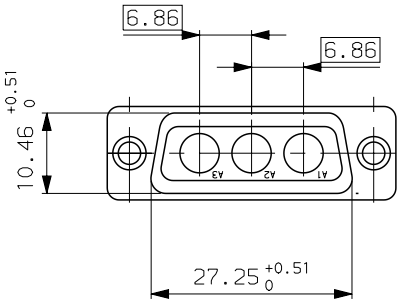
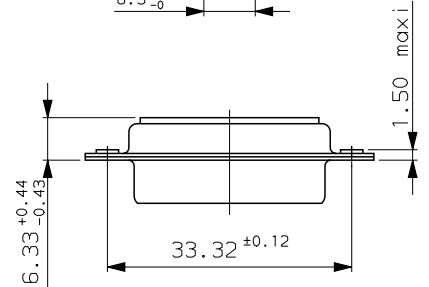
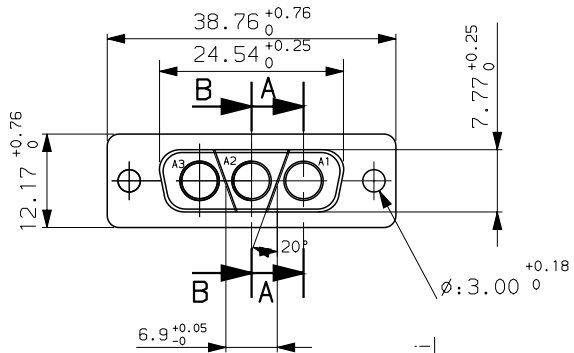
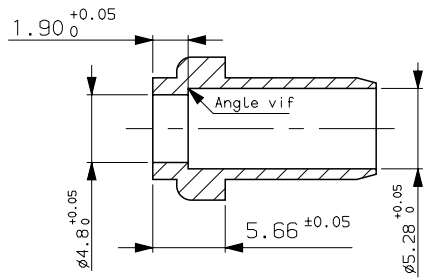


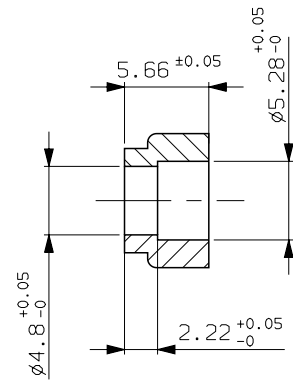
GENERAL CHARACTERISTICS : SEE DRAWING C01-8639-0001



CAVITIE AA



CAVITIE BB



DA3V3SA00
PART NUMBER

d	24/10/03	update		--
ISS	DATE	Lastest modification by : BART.S	MOD N°	
Designed by: JARRY		date: 15/06/94	Type of drawing: CLIENT	
Checked by : --		date: --	Released by: --	
TITLE : SOCKET CONNECTORS SUB D 3V3 FOR POWERS CONTACTS .				
SCALE	Special mfg:--	MATERIAL:--	N°: --	
1.5	item list n°: --	--		
	General Linear Tolerances: --	General machining surface texture: -- <input checked="" type="checkbox"/>	Geometrical Tolerances see NF E 04-552	SHEET 01
	FRAMATOME CONNECTORS FRANCE Rue Louis Breguet - BP 05 72024 LE MANS Cedex Tel. 33 (16) 43.84.08.43		This document is the property of FRAMATOME CONNECTORS FRANCE It must not be reproduced or communicated without permission in writing Flow the owners	
FORMAT A3	SOURIAU DRG N° C01-8639-0552		PROJECT M94D001	

