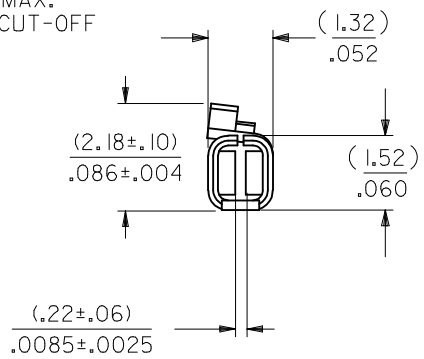
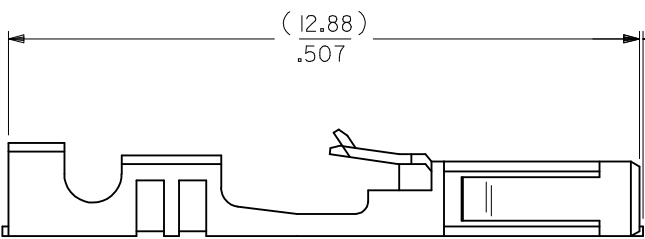
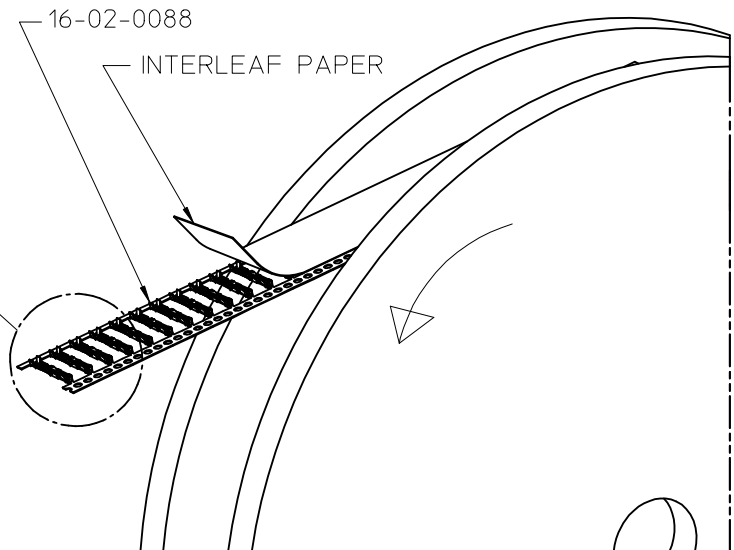
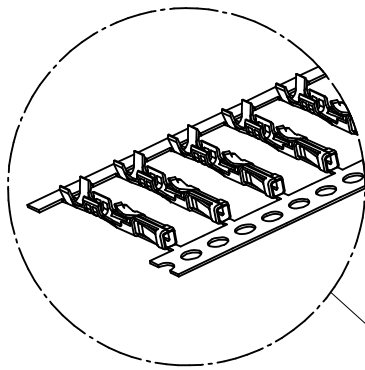
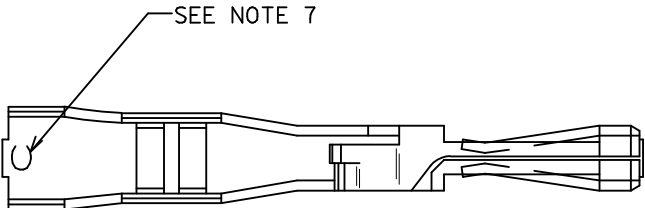


10 9 8 7 6 5 4 3 2 1



- NOTES:
1. TERMINAL TO BE USED IN HOUSING 70066-\*\*\*\* AND 70450-\*\*\*\*.
  2. REFER TO PRODUCT SPECIFICATION PS-70058.
  3. REFER TO MOLEX OPERATIONS AND SERVICE MANUAL FOR CRIMP DETAILS.
  4. TERMINAL TO BE USED WITH (0.64)/.025 SQUARE PINS.
  5. TERMINAL TO BE USED WITH 22-24 AWG STRANDED WIRE WITH (1.63)/.064 MAXIMUM DIAMETER INSULATION.
  6. TERMINALS SUPPLIED IN REEL FORM.
  7. CRIMP SIZE INDICATOR C=22-24 AWG

PLATING:  
 .000030 MINIMUM GOLD PLATE IN SELECT AREA,  
 .000075 MINIMUM TIN PLATE IN SELECT AREA,  
 OVER NICKEL PLATE OVERALL.

CORRECT MATERIAL NO. EC NO: UCP2014-0996 DRAWN BY: RWHIPPLE 2013/09/03 CHKD: DMORGAN 2013/09/03 APPR: SMILLER 2013/09/24	DESCRIPTION REV	QUALITY SYMBOLS	GENERAL TOLERANCES (UNLESS SPECIFIED)	DIMENSION STYLE	SCALE	DESIGN UNITS	THIRD ANGLE PROJECTION	
		▽=0	mm INCH	MM/IN	10:1	INCH		
		▽=0	4 PLACES ± --- ± ---	DRAWN BY DATE	TITLE TERMINAL - BOX/CRIMP FOR 22-24 AWG ON A REEL			
		▽=0	3 PLACES ± --- ± .005	RWHIPPLE 2013/06/11				
		2 PLACES ± 0.13 ± .01	CHECKED BY DATE	DOCUMENT NO. SD-70058-0026				
		1 PLACE ± 0.25 ± ---	JAS 1988/03/02					
		0 PLACE ± --- ± ---	APPROVED BY DATE	SHEET NO. 1 OF 1				
			SMILLER 2013/07/09					
			MATERIAL NO. 16-02-0088	THIS DRAWING CONTAINS INFORMATION THAT IS PROPRIETARY TO MOLEX INCORPORATED AND SHOULD NOT BE USED WITHOUT WRITTEN PERMISSION				
			SIZE B					

9 8 7 6 5 4 3 2 1