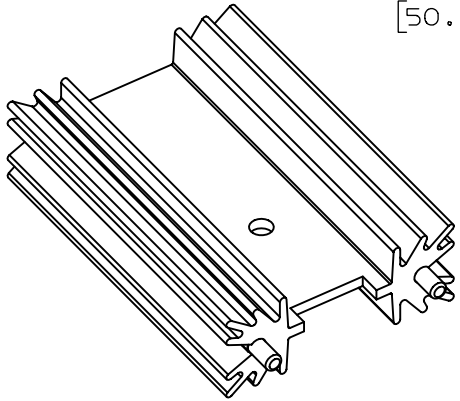
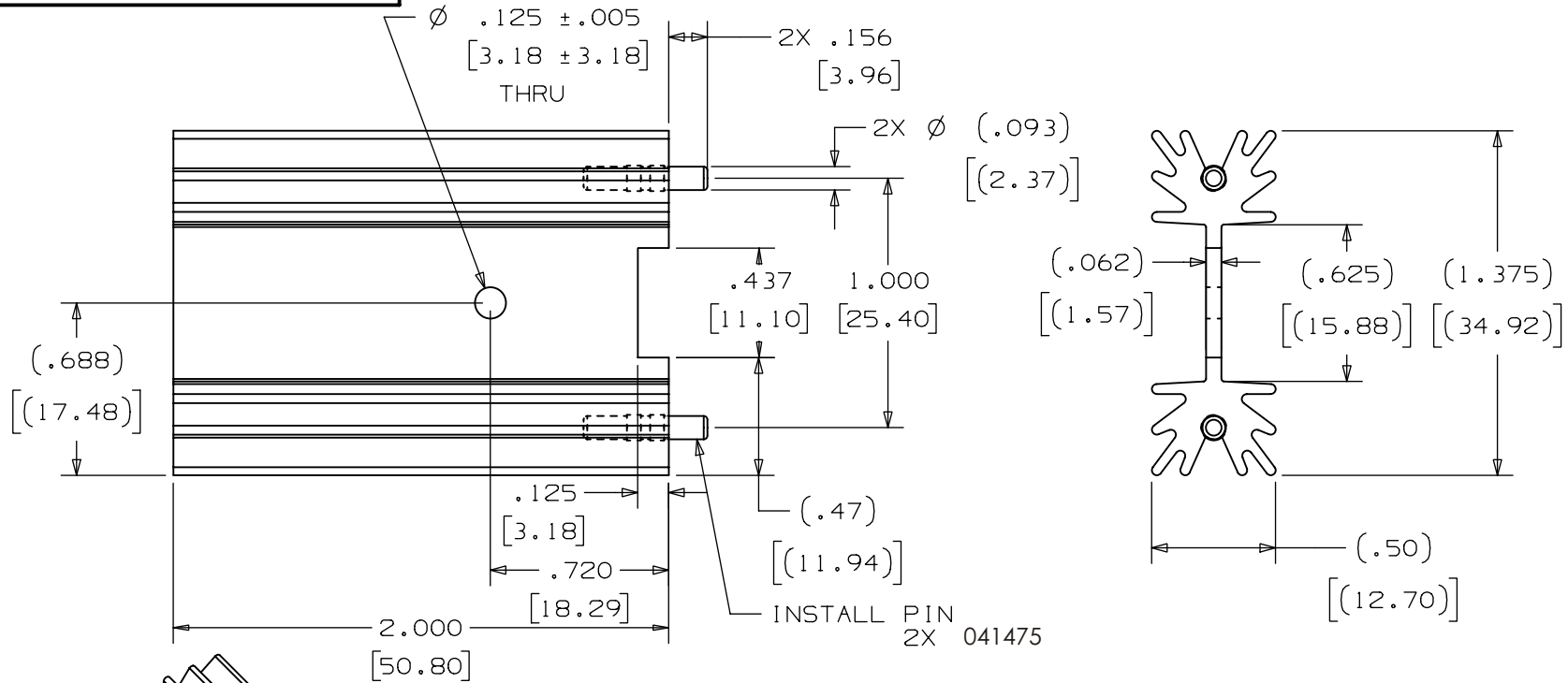



THIS DRAWING AND THE SPECIFICATIONS CONTAINED HEREIN ARE CONFIDENTIAL AND PROPRIETARY. THEY ARE THE PROPERTY OF AAVID THERMAL TECHNOLOGIES INC. AND SHALL NOT BE REPRODUCED OR COPIED OR USED IN WHOLE OR IN PART AS THE BASIS FOR THE MANUFACTURE OR SALE OF ITEMS WITHOUT WRITTEN PERMISSION. THIS IS AN UNPUBLISHED WORK PROTECTED UNDER THE FEDERAL COPYRIGHT LAWS, 1995



**ROHS COMPLIANT**  
PER AAVID SPEC: ROHS - 9000

FINISH	BLACK ANODIZE
U/O	
MAT'L	002980
TOLERANCE	UNLESS NOTED
.XX±	.015 [ .38 ]
.XXX±	.010 [ .254 ]
ANGULAR±	3°

B	06/15/06	UPDATED DRWG PER ECN # 002531	G.L.	
A	4/19/05	RELEASE PER ECN # 017314	SPS	
REV.	DATE	DESCRIPTION	CHK'D	
				
		<b>AAVID THERMALLOY</b>		80 COMMERCIAL ST. CONCORD, N.H. 03301
DRAWING NO.		<b>041497</b>		
STANDARD DESCRIPTION		<b>STD,513202B02500G</b>		
DATE	DRAWN	CHK'D	APP'D	SCALE
04/19/05	SPS	SPS	SPS	2 TO 1
SHEET				