





RS PRO SY11 In-Line Cable Mount Connector

RS Stock No.: 2506053, 2506062, 2506054,
2506058, 2506059. 2506056.
2506060, 2506057



Technical Specifications:

Number of contact	2	3	4	5
Male contact face view				
Rated current (A)	5	5	3	3
Contact diameter(mm)	∅1×2	∅1×3	∅0.7×4	∅0.7×5
Rated voltage (AC.V)	180	180	125	125
Test voltage(AC.V) 1 min	1000	1000	1000	1000
Contact resistance(mΩ)	5	5	10	10
Wire size (mm ² /AWG)	≤0.75/18	≤0.75/18	≤0.5/20	≤0.5/20

Product Details

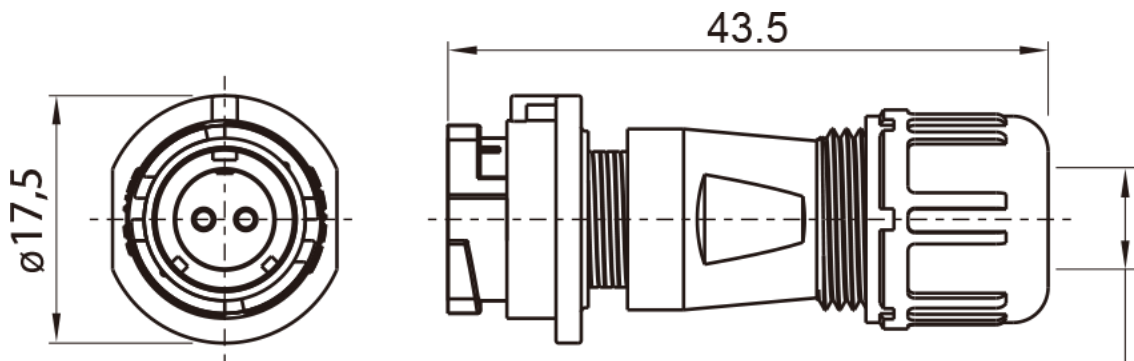
The RS Pro SY11 series is a range of lightweight but robust waterproof connectors, which are sealed to IP67. Bayonet coupling ensures a quick and secure connection, even in the harshest environments. Versions are available for in-line cable to cable and for cable to panel connections. Plugs and receptacles are available with either male pins or female sockets. These products are ideal for use in outdoor applications where a secure, waterproof connection is required.

Features and Benefits

- Bayonet Coupling
- IP67
- 2-5 Poles
- Cable to Cable and Cable to Panel Connections



Dimensional line drawings



Cable outer diameter range: 4-6.5mm

Quality Standards

