

QUICKTRONIC® PROFESSIONAL QTP5

ECG for T5/Ø16mm, T8/Ø26mm, DULUX L
fluorescent lamps



QTP5



i.e. LUMILUX® T5 HO ES



Product Features:

- Up to 100.000 hours lifetime¹
- Lamp start with optimized filament preheating within 1 sec.
- Suitable for lighting with very high switching cycles
- Reliable lamp ignition between -20°C...+50°C
- Cut-off Technology
- Suitable for luminaires of protection classes I and II²
- CELMA Energy Efficiency Index **A2 BAT** (Best Available Technology)³
- Automatic safety shut-down in case of a defect or at the end of the lamp's life (EoL T.2)
- Automatic restart after lamp replacement
- Suitable for emergency installations (DC operation)



Technical Data

Max. cable diameter for IDC-kontakt [mm ²]:	„S“ ⁴ : 0.5; „f“ ⁵ : 0.75	
Max. cable diameter for push-in contact [mm ²]:	„S“ ⁴ : 0.5...1.0	
Starting time:	t: < 1 sec. (<0.3 sec. in case of line interruptions/switchover of <0.5 sec.)	
Line voltage:	220 - 240 V	
Voltage range (AC):	198 - 264 V	
Voltage range (DC):	176 - 276 V	
Line frequency:	0, 50 - 60 Hz	
Operating frequency:	40 - 50 kHz	
Electrical strength:	300 V → permanent, 320 V → 48 hours, 350 V → 2 hours	
Ambient temperature ta:	-20 °C to +50 °C	
Measuring point temperature tc:	Max. +75 °C	
	330 V	430 V
U-OUT:	QTP5 1x14-35	QTP5 2x14-35
	QTP5 1x24-39	QTP5 2x24-39
	QTP5 1x49	QTP5 2x49
	QTP5 1x54	QTP5 2x54
	QTP5 1x80	QTP5 3x14, 4x14

¹ at T = 65°C @ Tc. 50.000 h with max. 10% failure rate at tc = 75°C max

² No need to connect (functional) earth in suitable luminaires of protection class II

³ EEI: A2 for QTP5 1x24-39




⁴ "s" = solid wire

⁵ "f" = flexible wire

Inrush current and max. number of ECG per circuit breaker

ECG	Inrush Current		Max. number of ECG per circuit breaker		
	I _p [A]	TH [μs]	B: 10A	B: 16A	C: 16 A
QTP5 1x14-35	24	230	17	28	47
QTP5 2x14-35	40	200	12	19	32
QTP5 3x14, 4x14	40	200	12	19	32
QTP5 1x24-39	24	230	17	28	47
QTP5 2x24-39	40	200	12	19	32
QTP5 1x49	24	230	17	28	47
QTP5 2x49	53	190	8	13	21
QTP5 1x54	40	200	12	19	32
QTP5 2x54	53	190	8	13	21
QTP5 1x80	40	200	12	19	32

Standards and approval marks

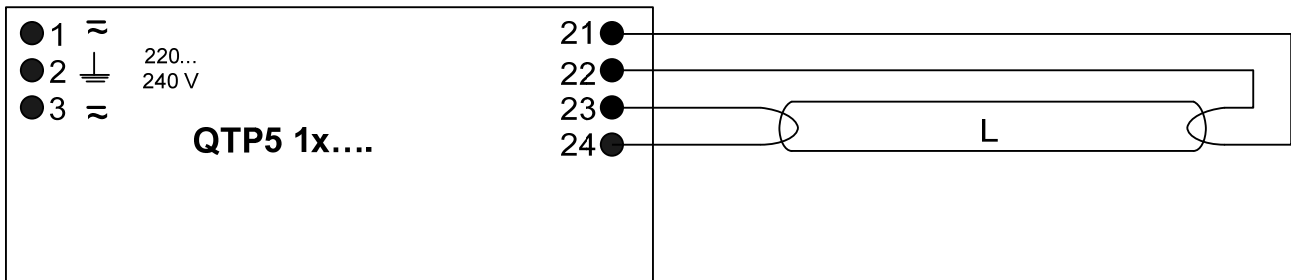
Safety:	acc. to EN 61347-2-3 / IEC 61347-2-3
Radio interference:	acc. EN 55015: 2006 + A1: 2007 + A2: 2009
Harmonic content:	acc. to EN 61000-3-2 / IEC 61000-3-2
Immunity:	acc. to EN 61547 / IEC 61547
Approval marks:	  

Dimensions & weight

Description	Length [mm]	width [mm]	height [mm]	distance mounting holes [mm]	Weight [g]
QTP5 1x14-35	280	30	21	270	180
QTP5 2x14-35	360	30	21	350	255
QTP5 3x14, 4x14	280	40	21	270	240
QTP5 1x24-39	280	30	21	270	180
QTP5 2x24-39	360	30	21	350	255
QTP5 1x49	280	30	21	270	180
QTP5 2x49	360	30	21	350	255
QTP5 1x54	280	30	21	270	180
QTP5 2x54	360	30	21	350	255
QTP5 1x80	360	30	21	350	255

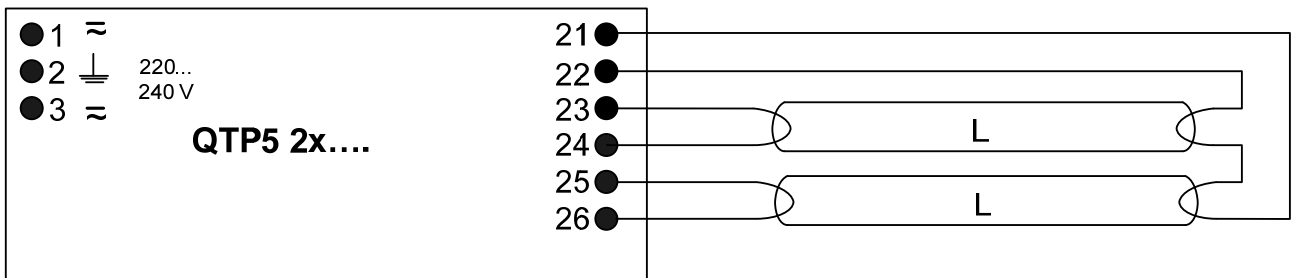
Lamp wiring

QTP5 1x...



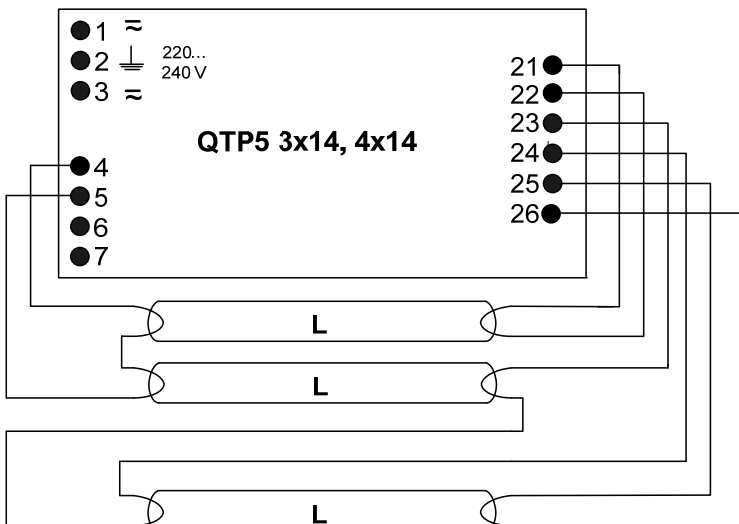
Max. permitted cable length in between ECG and lamp: 2.0 m (PIN 21, 22); 1.0 m (PIN 23, 24)

QTP5 2x...



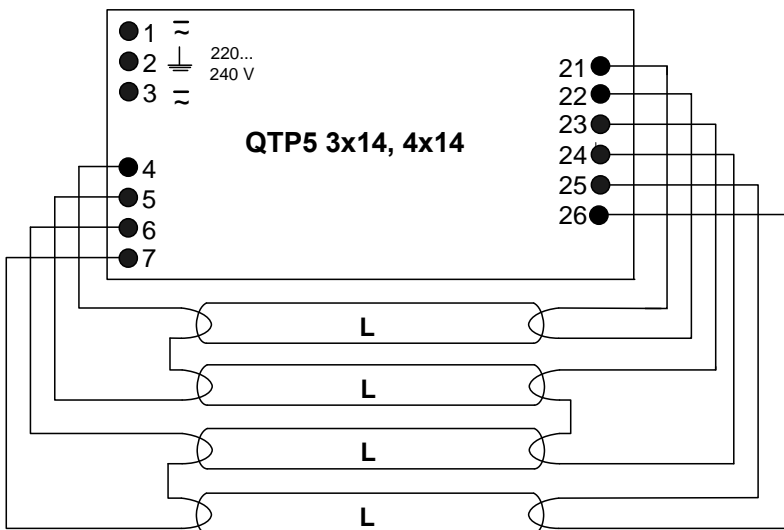
Max. permitted cable length in between ECG and lamp: 2.0 m (PIN 21, 22, 25, 26); 1.0 m (PIN 23, 24)

QTP5 3x14, 4x14 – 3 lamp operation



Max. permitted cable length in between ECG and lamp: 1.5 m (PIN 4, 5, 21, 22, 23, 24); 1.0 m (PIN 6, 7, 25, 26)

QTP5 3x14, 4x14 – 4 lamp operation



Max. permitted cable length in between ECG and lamp: 1.5 m (PIN 4, 5, 21, 22, 23, 24); 1.0 m (PIN 6, 7, 25, 26)

Logistic Data

Description	EAN 10	EAN 40	Packaging Unit
QTP5 1x14-35	4008321329035	4008321329042	20
QTP5 2x14-35	4008321329073	4008321329080	20
QTP5 3x14, 4x14	4008321484598	4008321484604	20
QTP5 1x24-39	4008321329110	4008321329127	20
QTP5 2x24-39	4008321329417	4008321329424	20
QTP5 1x49	4008321329370	4008321329387	20
QTP5 2x49	4008321123831	4008321123848	20
QTP5 1x54	4008321329394	4008321329400	20
QTP5 2x54	4008321329097	4008321329103	20
QTP5 1x80	4008321329059	4008321329066	20

Lifetime

Measuring point temperature t_c :	Lifetime with max. 10% failure rate
75 °C	50,000 h
65 °C	100,000 h

Lamp/ECG System Combination

ECG	Lamp	HF lamp wattage [W]	System wattage [W]	Line current [A]	Luminous flux at 25°C [lm]	Luminous flux at 35°C [lm]	Power factor [λ]
QTP5 1x14-35	HE 14	14	16	0.08	1200	1350	0.90c
	HE 21	21	24	0.11	1900	2100	0.95
	HE 28	28.5	31	0.14	2600	2900	0.96
	HE 35	35	38	0.17	3320	3650	0.97
	DL28	28	31	0.14	2800	-	0.95
	HE 13 ES ^b	13	15	0.075	1150	1350	0.90c
	HE 19 ES ^b	19	22	0.10	1800	2100	0.95
	HE 25 ES ^b	25	27	0.12	2450	2900	0.96
	HE 32 ES ^b	32	34	0.15	3100	3650	0.97
	DL 16 HE ^b	15	18	0.08	1500	1600	0.92
	DL 22 HE ^b	22	24	0.11	2055	2200	0.95
	DL 26 HE ^b	26	29	0.13	2470	2600	0.95
QTP5 2x14-35	2x HE14	2x 13.5	30	0.14	2x 1200	2x 1350	0.98
	2x HE21	2x 20.5	45	0.20	2x 1900	2x 2100	0.98
	2x HE28	2x 28	60	0.26	2x 2600	2x 2900	0.98
	2x HE35	2x 34.5	75	0.33	2x 3320	2x 3650	0.98
	2x DL28	2x 28	60	0.26	2x 2800	-	0.98
	2x HE 13 ES ^b	26	28	0.13	2x 1150	2x 1350	0.95
	2x HE 19 ES ^b	38	42	0.185	2x 1800	2x 2100	0.98
	2x HE 25 ES ^b	50	54	0.24	2x 2450	2x 2900	0.98
	2x HE 32 ES ^b	64	68	0.30	2x 3100	2x 3650	0.98
	2x DL 16 HE ^b	32	34	0.15	2x 1500	2x 1600	0.95
2x DL 22 HE ^b	44	48	0.21	2x 2055	2x 2200	0.96	
2x DL 26 HE ^b	52	57	0.26	2x 2470	2x 2600	0.95	
QTP5 3x14, 4x14	3x HE14	3x 14	48	0.28	3x 1200	3x 1350	0.95
	4x HE14	4x 14	63	0.22	4x 1200	4x 1350	0.97
	3x HE 13 ES ^b	3x 12.9	43	0.19	3x 1150	3x 1350	0.95
	4x HE 13 ES ^b	4x 12.5	56	0.25	4x 1100	3x 1290	0.97

GL LB EU&LM FT, Edition: 13.03.2012. Subject to change without notice. Despite careful review, the possibility of mistakes cannot be excluded – no guaranty will be provided.

ECG	Lamp	HF lamp wattage [W]	System wattage [W]	Line current [A]	Luminous flux at 25°C [lm]	Luminous flux at 35°C [lm]	Power factor [λ]
QTP5 1x24-39	HO 24	23	26	0.12	1750	2000	0.95
	HO 39	38	41	0.18	3100	3500	0.98
	L 30	30	33	0.15	3000	-	0.97
	HO 20 ES ⁶	20	23	0.105	1650	2000	0.95
	HO 34 ES ⁶	34	37	0.165	3250	3500	0.98
	T8 L 36 W ⁶	32	36	0.16	3200	-	0.97
QTP5 2x24-39	2x HO 24	2x 22.5	49	0.23	2x 1750	2x 2000	0.95
	2x HO 39	2x 38	82	0.36	2x 3100	2x 3500	0.98
	2x L 30	2x 28.5	62	0.27	2x 2850	-	0.98
	2x HO 20 ES ⁶	2x 21	45	0.195	2x1650	2x2000	0.95
	2x HO 34 ES ⁶	2x 35	75	0.32	2x3250	2x3500	0.98
	2x T8 L 36 W ⁶	64	70	0.31	2x 3200	-	0.98
QTP5 1x49	HO 49	49	53	0.24	4310	4900	0.95
	HO 45 ES ⁶	45	49	0.22	4310	4900	0.95
QTP5 2x49	2x HO 49	2x 49.5	106	0.49	2x 4310	2x 4900	0.97
	2x HO 45 ES ⁶	92	100	0.44	2x 4310	2x 4900	0.99
QTP5 1x54	HO 54	54	59	0.26	4450	5000	0.98
	HO 50 ES ⁶	50	54	0.24	4450	5000	0.98
	T8 L 58 ⁶	50	55	0.25	5000	-	0.97
	DL 55 ⁶	50	54	0.24	4450	-	0.98
QTP5 2x54	2x HO 54	2x 54	115	0.50	2x 4450	2x 5000	0.99
	2x HO 50 ES ⁶	100	108	0.46	2x 4450	2x 5000	0.99
	2x T8 L 58 ⁶	100	109	0.48	2x 5000	-	0.97
	2x DL 55 ⁶	102	110	0.48	2x 4500	-	0.99
QTP5 1x80	HO 80	80	86	0.38	6150	7000	0.98
	DL 80	80	86	0.38	6000	-	0.99
	HO 73 ES ⁶	73	79	0.35	6150	7000	0.98

For more information on ECG refer to <http://www.osram.com/ecg>

For more information on System Guarantee refer to <http://www.osram.com/guarantee>

⁶ Additional Lamp-ballast combination without ENEC

GL LB EU&LM FT, Edition: 13.03.2012. Subject to change without notice. Despite careful review, the possibility of mistakes cannot be excluded – no guaranty will be provided.