

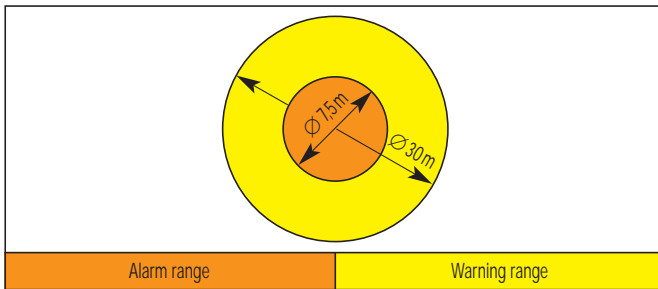
Flashing light 13joules

New!



Quadro F 12 / Quadro S-M-Flex / Quadro RX

Optical data:



Light intensity (DIN 5037):	Quadro F 12 / S-M-Flex
clear	160 candela
white	138 cd
yellow	133 cd
amber	95 cd
red	22 cd
green	48 cd
blue	20 cd

Quadro F12 / S-M-Flex

Flashing sequence:	1 Hz = 60 flashes/min / see table
Flashing power:	13 joules
Service life:	after 12.000.000 flashes still 70% light emission
Duty cycle:	100%

Quadro R / RX

Flashing sequence:	22-28 flashes/min
Flashing power:	10 joules
Service life:	after 10.000.000 flashes still 70% light emission
Duty cycle:	100%

Electrical data: **AC** 50Hz/60Hz

Nominal voltage	Electrical data	Quadro F 12	Quadro S-M-Flex	Quadro R / RX
230V	Voltage range: Rated current: Initial current restricted to:	195V ... 253V 160mA < 7A / 150µs	195V ... 253V 160mA < 1A / 10 ms	195V ... 253V 85mA
115V *	Voltage range: Rated current:	95V ... 127V 340mA	95V ... 127V 350mA (1 Hz / 13J)	

* available on request

Quadro F 12

- industrial successor to the famous Eiffel Tower light
- design conforms to industrial needs, the mounting can be easily achieved using either the drilling on the inside or the fixing lugs of the housing
- mechanical rigidity is superb, with real IP66, IP67 and IK08 these lights remain a reliable alarm device even under harsh conditions
- the Quadro's resistance to outdoor use, during hailstorms or even with high pressure cleaning systems guarantees it's safe functioning
- service life is extremely high: even after 12 million flashes a 70% light emission is achieved, which is the operating requirement for a safe optical warning for even the most dangerous machines such as for punching, pressing, edging

Quadro S-M-Flex

- matured tunnel security light
- synchronized flashing for up to 10 lights in series. No extra controller is needed. The initial current is kept below 1 Amp which makes it suitable for use in SPS-controlled and battery back-up systems
- variable brightness and adjustable flashing frequency
- integrated function monitor with fault message contact

Quadro R / Quadro RX

- for flash illumination for indoor and outdoor projects, even under extreme ambient conditions
- R = integrated unmediate sparkling effect
- X = black enclosure and reflection shield
- see also page 57

IP 66 Protective-system	+ 55 °C Operational temperature	+ 70 °C Storage temperature	100% Relative humidity	Sync
IP 67 Protective-system	- 25 °C	- 40 °C		
	IK 08 Housing high impact-resistant	 Start-up current limited < 1 Amp		Quadro S-M-Flex

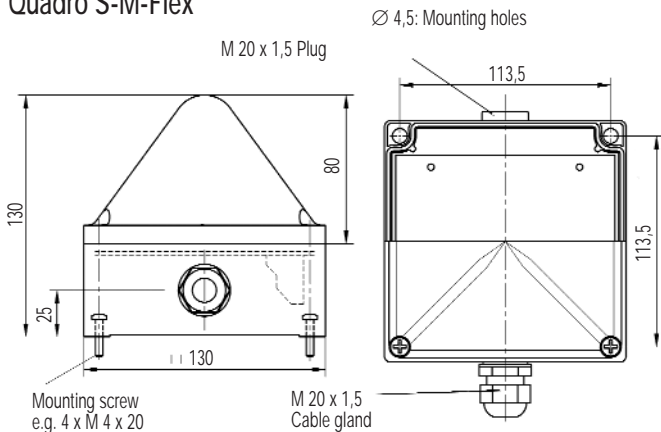
Mechanical data:	Quadro F 12 / Quadro S-M-Flex / Quadro R / Quadro RX
Cable gland	2 x M 20
Clamps	2 x 2 x 2,5 mm ² (to connect through, not for R/RX)
Weight	600 g
Material globe	Polycarbonate PC
Material housing	Polycarbonate (PC), RAL 7035 (RAL 3000 optional)
Installation	mounting lugs: 113 x 153 mm – M5 or 127,1 x 127,1 mm – M5 inside holes: 113 x 113 mm
	PCB made of fibre-glass reinforced epoxy resin for thermic and mechanical protection. PCB dip-varnished to protect against moisture. Flash tube fastened with stainless steel clamp to prevent shock and vibration.
Standard:	
Operational temperature	- 25 °C ... + 55 °C
Storage temperature	- 40 °C ... + 70 °C
Relative humidity	100%
Protective system	IP 66 IP 67 (EN 60529), IK 08, all installations
Protective class	II

DC

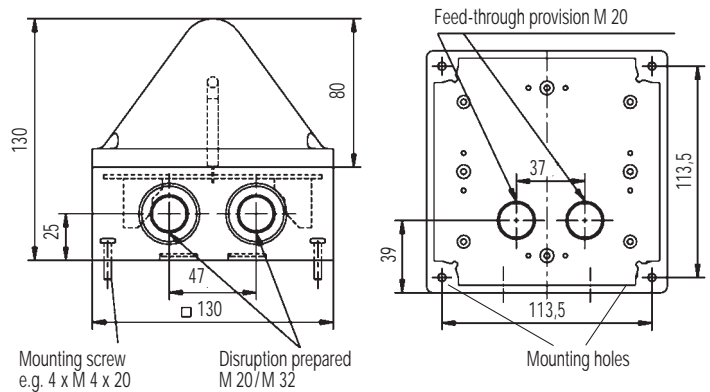
Nominal voltage	Electrical data	Quadro F 12
24V	Voltage range: Rated current: Initial current restricted to:	18V ... 30V 700 mA < 5 A / 2 ms

Mechanical data and dimensions:

Quadro S-M-Flex

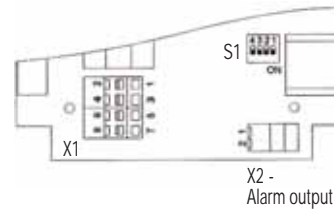


Quadro F 12



DIP-switch setting				Settings for Quadro S-M-Flex	
4	3	2	1	Frequency (Hz)	Flashing energy (J)
				1	13
			ON	2	13
		ON		0,5	13
		ON	ON	0,1	13
	ON			1	7,5
	ON	ON		2	7,5
	ON	ON	ON	0,5	7,5
	ON	ON	ON	0,1	7,5
ON				1,5	13
ON			ON	1,75	13
ON		ON		2,5	13
ON		ON	ON		13
ON	ON				13
ON	ON		ON		13
ON	ON	ON			7,5
ON	ON	ON	ON	only one flash	13

**Quadro S-M-Flex
fault message contact**



The Eiffeltower:
Illuminated with Pfannenber's Quadro R



Special version:



Approval on request:



Sample order:

Model: Quadro F 12 Voltage: 230 VAC Globe colour: RED Approval: GOST

Conformity to standard:

The optical properties of flashing lights comply with the European standard DIN EN 842, which is published under the title:

„Machine safety - visual alarm signals“.

Requirements of the standard DIN EN 981, published under the title:

„Machine safety - system of acoustic / visual alarm signals and information signals“, can be met.

The colour „red“ as emergency signal and „yellow“ as a warning signal comply with the requirements of IEC 73/DIN EN 60073/VDE 0199, published under the title:

„Coding for display devices and control components using colours and supplementary means“.

References to visual alarm devices can be found in the following standards:

- EN 60825-1 Radiation safety of laser devices defined by IEC 825 and DIN-VDE 0837
- DIN EN 54 Fire alarm systems
- DIN 54113-2 Regulations for radiation protection applicable to technical operation of X-ray equipment up to 500 kV