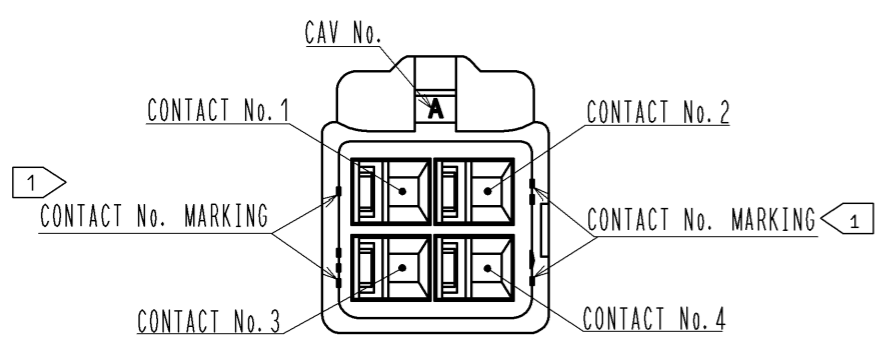
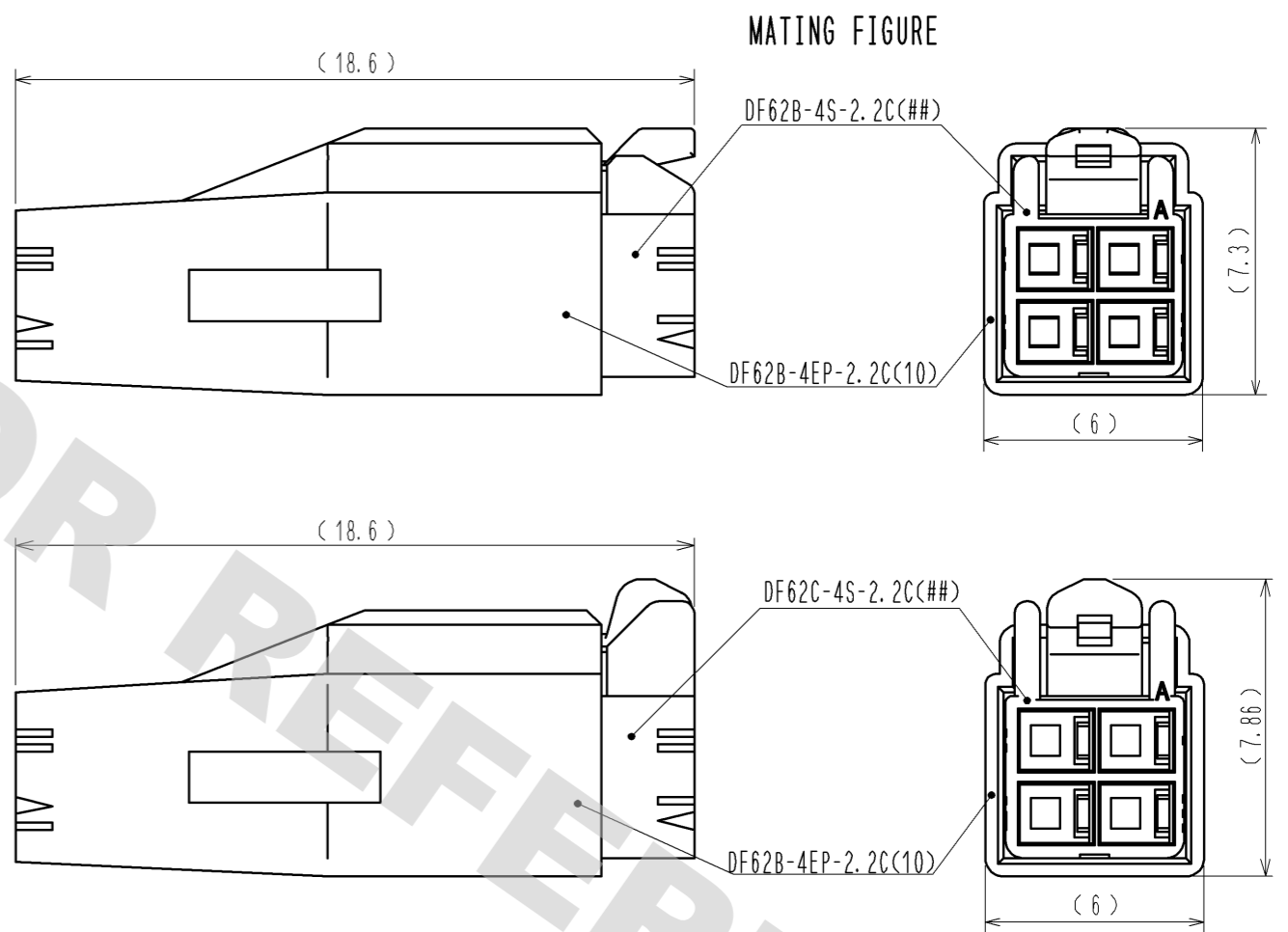
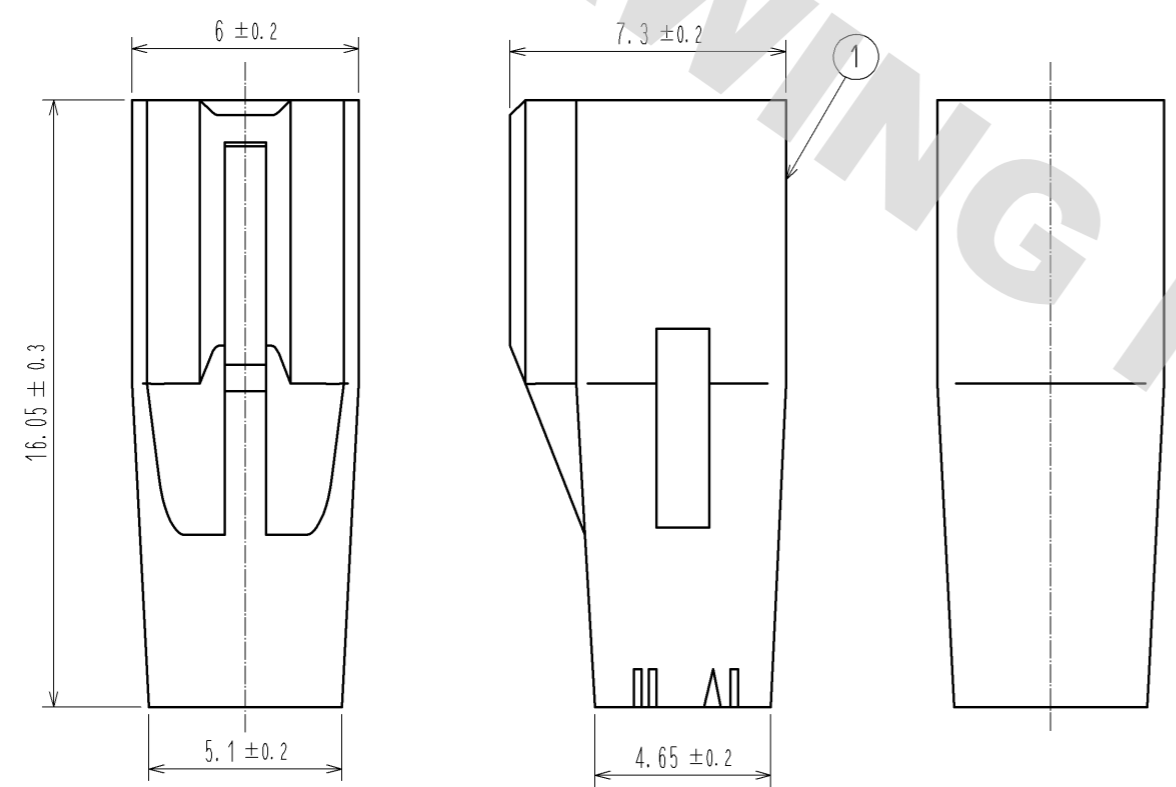
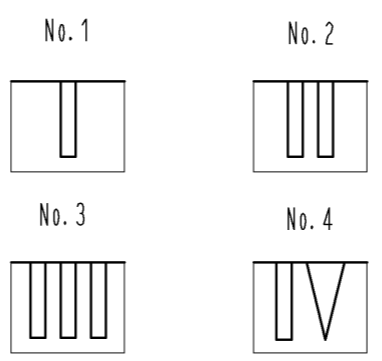
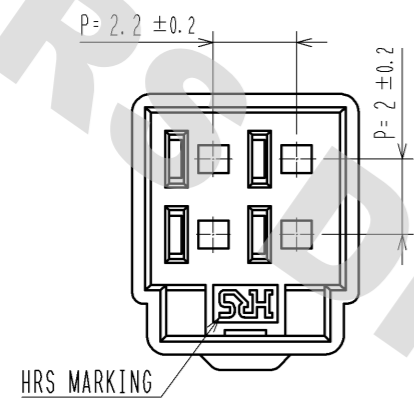


DRAWING FOR REFERENCE: This is subject to change without notice
12/05/2013

1 FIGURE-1 CONTACT No. MARKING (10:1)



NOTE. 1. MARKINGS AT THE INDICATED POSITIONS ARE CONTACT No. MARKING. AND SHAPES ARE SHOWN IN FIGURE-1.
2. PER PACK : 100 PIECES.
3. THE DIMENSIONS IN PARENTHESIS ARE FOR REFERENCE.

NO.		MATERIAL		FINISH . REMARKS		1	PBT	UL94V-0 (WHITE)
UNITS	mm	SCALE	COUNT	DESCRIPTION OF REVISIONS		DESIGNED	CHECKED	DATE
		5 : 1	△					
HIROSE ELECTRIC CO., LTD.		APPROVED :	KI. AKIYAMA	13.05.29	DRAWING NO. EDC3-351965-01			
		CHECED :	HK. UMEHARA	13.05.29	PART NO. DF62B-4EP-2.2C(10)			
		DESIGNED :	TS. KUMAZAWA	13.05.29	CODE NO. CL544-0560-0-10			
		DRAWN :	TS. KUMAZAWA	13.05.29	1/1			