

Customer Information Sheet

DRAWING No.: S7081-42R

SHEET 2 OF 2

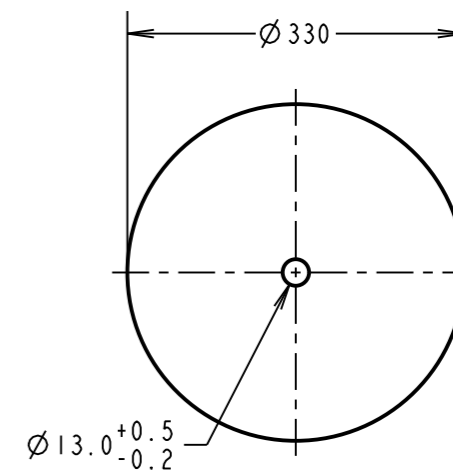
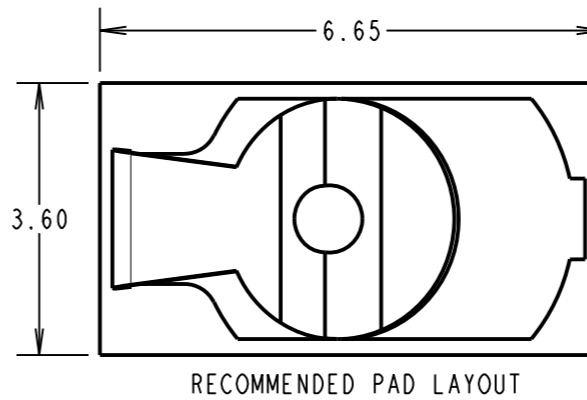
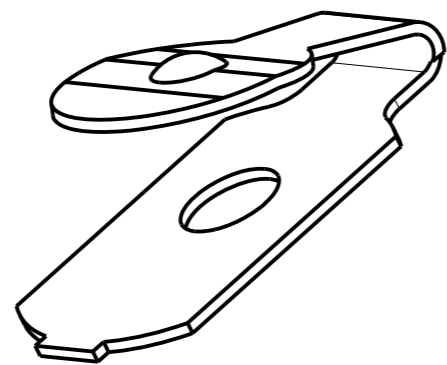
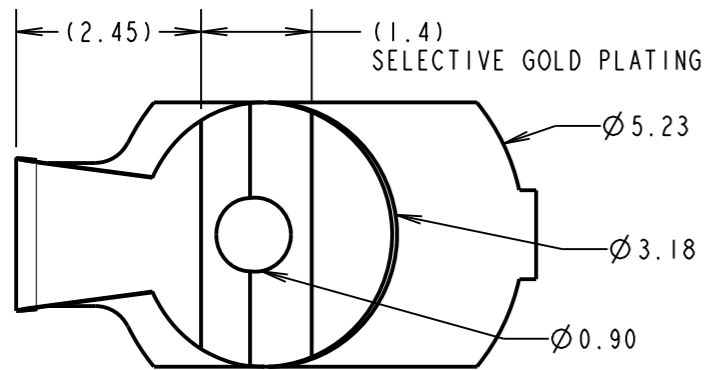
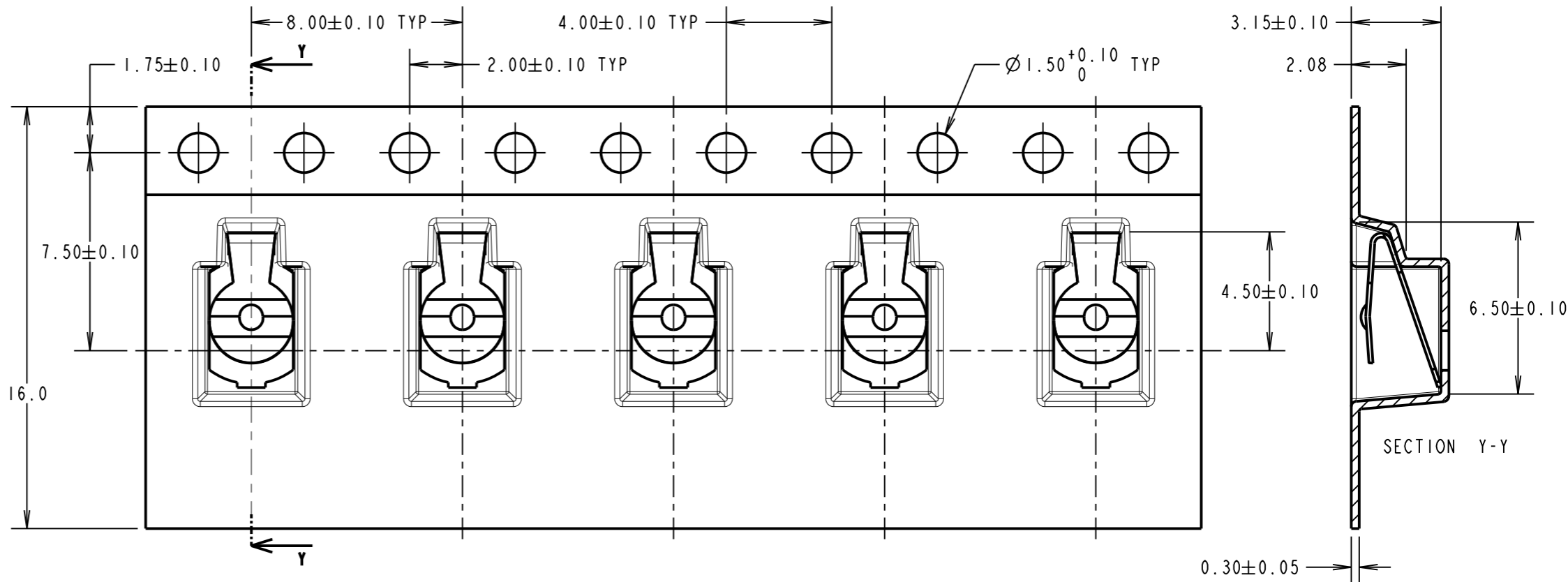
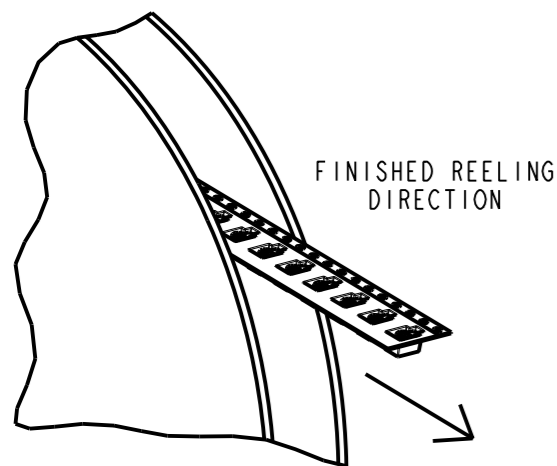
IF IN DOUBT - ASK

(C)

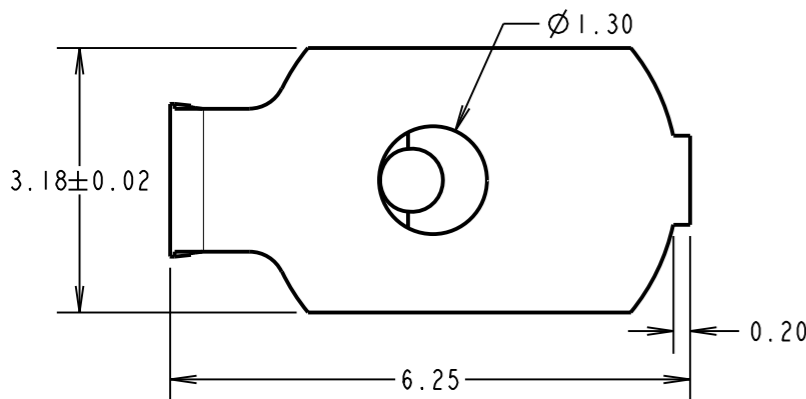
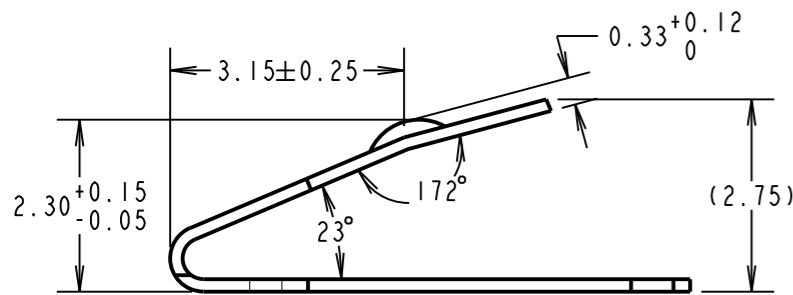
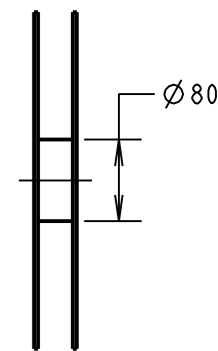
NOT TO SCALE

THIRD ANGLE PROJECTION

ALL DIMENSIONS IN mm



REEL DETAILS



COMPONENT SPECIFICATION

MATERIAL = TITANIUM COPPER ALLOY,
 0.15mm THICK
 FINISH = 0.7 μ -1.3 μ NICKEL, GOLD FLASH
 ON CONTACTS AND 2.54 μ MIN 100%
 TIN ON FOOT AREA.

RECOMMENDED WORKING HEIGHT = 2.10mm / MIN FORCE = 1.2N
 RECOMMENDED MINIMUM WORKING HEIGHT = 1.70mm

ELECTRICAL:
 CONTACT RATING = 4A

NOTES:

- QUANTITY PER REEL = 2500.
- ALL TOLERANCES ARE: X.X = ±0.30mm
 X.XX = ±0.15mm
 X.XXX = ±0.01mm
 ANGLES = ±2.0°
 UNLESS OTHERWISE STATED.

| | | | |
|---------------------|------|----------|--------|
| SB | 5 | 10.06.13 | 12074 |
| NAME | ISS. | DATE | C/NOTE |
| APPROVED: S.BENNETT | | | |
| CHECKED: M.PLESTED | | | |
| DRAWN: R.ADDE | | | |
| CUSTOMER REF.: | | | |
| ASSEMBLY DRG: | | | |

HARWIN

www.harwin.com
 technical@harwin.com

THIS DRAWING AND ANY INFORMATION OR DESCRIPTIVE MATTER SET OUT HEREON ARE CONFIDENTIAL AND COPYRIGHT PROPERTY OF THE HARWIN GROUP AND MUST NOT BE DISCLOSED, LOANED, COPIED OR USED FOR MANUFACTURING, TENDERING OR FOR ANY OTHER PURPOSE WITHOUT THEIR WRITTEN PERMISSION.

TOLERANCES
 X = ±1mm
 X.X = ±0.25mm
 X.XX = ±0.10mm
 X.XXX = ±0.01mm
 ANGLES = ±5°
 UNLESS STATED

MATERIAL: SEE ABOVE
 FINISH: SEE ABOVE
 S/AREA: mm²

TITLE:
 SMT SHIELD FINGER (2.75mm)
 IN TAPE AND REEL

DRAWING NUMBER: S7081-42R
 SHT 2 OF 2