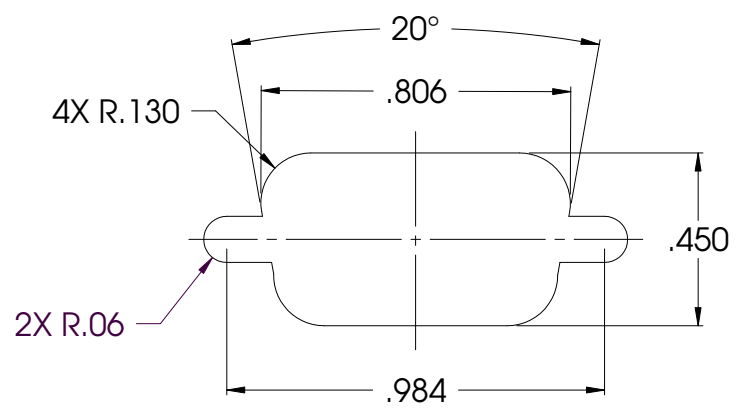
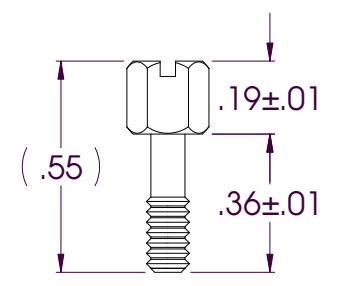
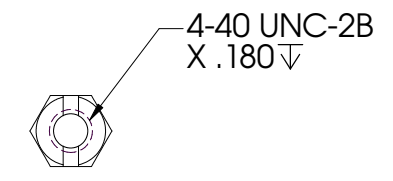
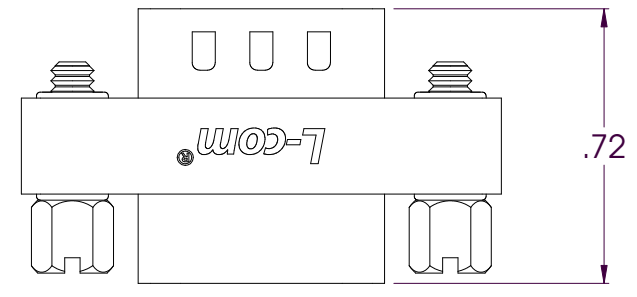


THE INFORMATION CONTAINED IN THIS DRAWING IS THE SOLE PROPERTY OF L-COM, INC. ANY REPRODUCTIONS IN PART OR WHOLE WITHOUT THE WRITTEN PERMISSION OF L-COM, INC. IS PROHIBITED.

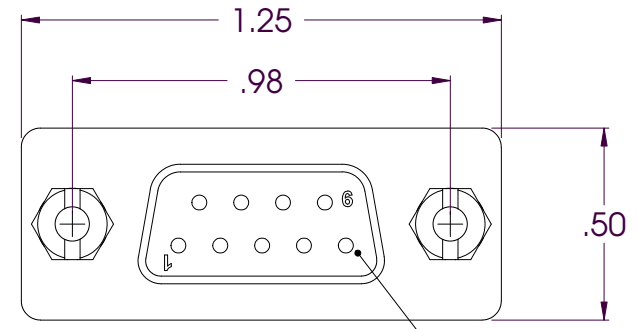
| REVISIONS | | | |
|-----------|---|----------|-----------|
| REV | DESCRIPTION | DATE | APPROVED |
| D | REVISED ELECTRICAL SPECS (ECN# 1311) | 02/21/03 | MCCORMICK |
| E | ECN #1613 - ADDED COMPONENT SPECIFICATION TABLE | 12/10/03 | B.MAZEJKA |
| F | ECN #1630 - CHG'D COMPONENT SPECIFICATION TABLE | 01/05/04 | B.MAZEJKA |
| G | ECN #1660 - CHG'D LABEL'G NOTE: FROM GND'R CHGR - TO SOCKET SAVER | 02-06-04 | B.MAZEJKA |



RECOMMENDED PANEL OPENING
(MAX PANEL THICKNESS: 0.06")



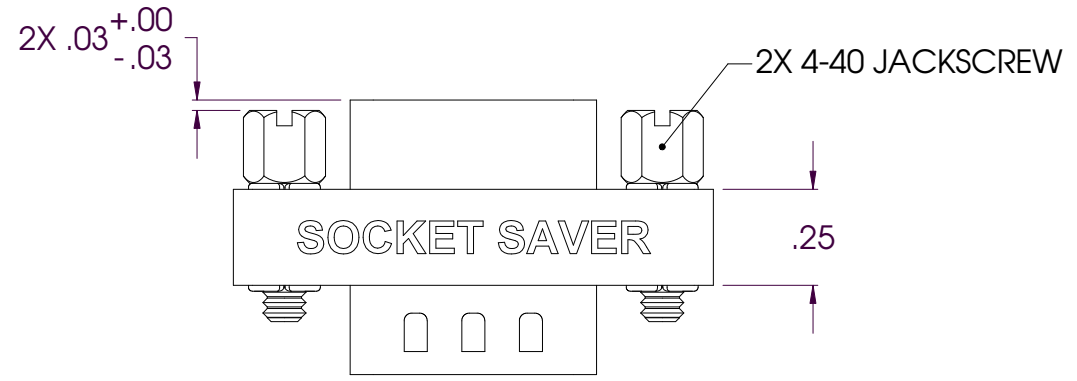
JACKSCREW SPECIFICATION



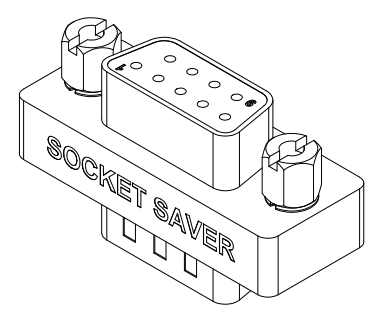
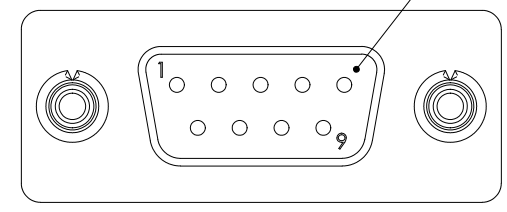
FEMALE, 9 PIN D-SUB CONNECTOR

APPLICATION NOTES:
ALL PINS WIRED STRAIGHT THROUGH

LABELING:
PANTONE 2945 BLUE. "L-COM" FONT MyriadMM ITALIC.
"SOCKET SAVER" FONT ARIAL BOLD, TEXT HEIGHTS; .085"
TEXT COLOR; WHITE.



MALE, 9 PIN D-SUB CONNECTOR



| Component Specifications | |
|---------------------------------|---------------------------------------|
| Material | |
| Shell | Steel |
| Contacts/Terminals | Copper Alloy |
| Hardware | Brass |
| Insulator | PBT Fiber Reinforced (UL 94V-0 Rated) |
| Finish | |
| Shell | Tin/Nickel Plated |
| Contacts/Terminals | Gold Flash Plated: 1 - 1.5µ inches |
| Hardware | Nickel Plated |
| Electrical | |
| Current Rating | 3 AMP |
| Insulation Resistance | 1000 MΩ Min @ 500 VDC |
| Dielectric Withstanding Voltage | 1000 VAC (for One minute) |
| Environmental | |
| Operational Temperature Range | -55°C to +105°C |

CS-131

UNLESS OTHERWISE SPECIFIED DIMENSIONS ARE IN INCHES
TOLERANCES ARE:
.X ±.1
.XX ±.05
.XXX ±.005
CABLE LENGTH TOLERANCE
<300" ±5% >300" ±2%

| APPROVALS | DATE |
|-------------------------|------------|
| DRAWN BY R.CARRICK | 09/28/2002 |
| CHECKED BY T.CLARK | 09/28/2002 |
| APPROVED BY D.PARHAM | 09/28/02 |

L-com 45 BEECHWOOD DRIVE
CONNECTIVITY PRODUCTS NORTH ANDOVER, MA 01845

PRODUCT DESCRIPTION
SOCKET SAVER, DB9 MALE/FEMALE
DRAWING TITLE

OUTLINE DRAWING

| SIZE | FSCM NO. | DWG. NO. | REV. |
|----------|--------------|------------|----------|
| B | 43321 | DGB9MF-OD1 | G |

SCALE: 2:1 CAD FILE: DGB9MF-OD1.SLDDRW SHEET 1 OF 1