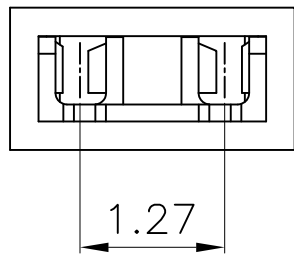
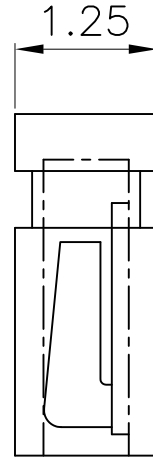
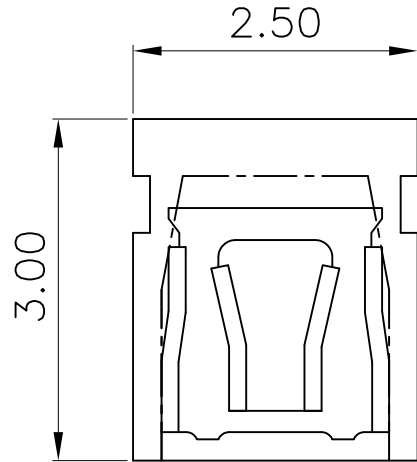


环保物料

TEL:0769-82001899



SPECIFICATION

Insulator Resistance :1000MΩ Min.
 Contact Resistance :20 Milliohms Max.
 Dielectric With Standing :AC 500V
 Operating Temperature :-40°C To +105°C
 Contact Material :Brass
 Insulator Material :PBT, UL-94V-0
 Color :Black
 Standard :Gold And Tin Flash All Over Nickel

WWW.XFCONN.COM

				TOLERANCE UNLESS OTHERWISE		DRAWN	CK tan	XFCN兴飞连接器有限公司 CONNECTORS XFCN CONNECTORS CO., LTD.		SHEET	1/1
				X.	±0.30	X°	±5°			CHKD	DATE
				.X	±0.20	.X°	±2°	APPD	PRODUCT NAME	1.27mm 间距 闭口短路帽 H:3.00mm	
				.XX	±0.08	.XX°	±1°	VIEW		PART. NO.	F127D-02-030-PT-B
A0	MODIFICATION	DRAW	DATE	.XXX	±0.03	.XXX°	±0.5°			SCALE	1:1
VER								DWG NO.	009		