

**MX123™ PRODUCTS
QUAD ROW SEALED ASSEMBLY
MAT SEAL**

<p>REVISION: H</p>	<p>ECR/ECN INFORMATION: EC No: 120799 DATE: 2017/17/08</p>	<p>TITLE: MX123 QUAD ROW SEALED ASSEMBLY MAT SEAL</p>	<p>SHEET No. 1 of 14</p>
<p>DOCUMENT NUMBER: PS-34566-0000</p>	<p>CREATED / REVISED BY: A. PODDATURI</p>	<p>CHECKED BY: S. RAJENDRANATH</p>	<p>APPROVED BY: V. KOSHY</p>

Table of Contents

1.0	Scope	4
2.0	Product Description.....	4
2.1.	Direct Connect (wire to board application).....	4
2.2.	Receptacle Assembly.....	5
2.3.	Product Name and Series Number.....	6
3.0	Integral Components and Accessories.....	6
3.1.	Integral Components.....	6
3.1.1.	Receptacle Terminals.....	6
3.1.2.	Dress Cover	7
3.1.3.	Applicable Wires	7
3.1.3.1.	Wire size	7
3.1.3.2.	ISO Wire.....	7
3.1.3.3.	SAE Wire.....	7
3.1.4.	Terminal Service Tool	7
3.2.	Accessories	7
3.2.1.	Cavity (Seal) Plugs.....	7
4.0	Applicable Documents and Specifications.....	8
5.0	Ratings	8
5.1.	Voltage - Operating.....	8
5.2.	Voltage - Isolation Resistance.....	8
5.3.	Current Rating.....	8
5.3.1.	MX64 Current Rating.....	8
5.3.2.	Yazaki 2.8mm	8
5.3.3.	Apex 6.3mm	8
5.4.	Temperature	9
5.5.	Flammability.....	9
6.0	Performance	9
6.1.	Connector Performance	9
6.1.1.	This Product Conforms To GMW3191 Dec 2007 With The Following Conditions.	9
6.1.1.1.	Vibration Performance.....	9
6.1.1.2.	Electrical Performance	9
6.1.1.3.	Mechanical Performance.....	10
6.1.1.4.	Sealing Performance.....	11
6.1.2.	This Product Conforms To USCAR-20 Dec 2001 With The Following Conditions.....	11
6.1.2.1.	Field Correlated Life Test (125°C)	11
6.1.3.	This Product Conforms To Power Thermal Cycling (PTC) GMW3172 B H E Z E IP6k9K and IP6K8 Dec 2005 With The Following Conditions.....	12
6.1.4.	This Product Conforms To EIA-364-65B Class IIIA, 48Hours Mixed Flow Gas (MFG) Testing With The Following Conditions.....	12
6.1.5.	This Product Conforms To IPx8, GMW3172 July 2010 With The Following Conditions.	12
6.1.6.	This Product Conforms To IEC 60068-2-27 Ea. 2008-02 Vibration 8Hours/Axis with Thermal Cycling -40°C to 105°C With The Following Conditions.	13
6.2.	Auxiliary Component- Seal Plug.....	13
6.2.1.	Product Performance Is Based On Terminal Requirements per GMW3191 Dec 2007	13
6.2.1.1.	Mechanical Performance.....	13
6.2.1.2.	Sealing Performance.....	13

<u>REVISION:</u> H	<u>ECR/ECN INFORMATION:</u> EC No: 120799 DATE: 2017/17/08	<u>TITLE:</u> MX123 QUAD ROW SEALED ASSEMBLY MAT SEAL	<u>SHEET No.</u> 2 of 14
<u>DOCUMENT NUMBER:</u> PS-34566-0000	<u>CREATED / REVISED BY:</u> A. PODDATURI	<u>CHECKED BY:</u> S. RAJENDRANATH	<u>APPROVED BY:</u> V. KOSHY

6.3.	This product conforms To ISTA-1A 2001 with the following conditions.....	14
6.4.	This product conforms To DIN 40 050 1993 with the following conditions.	14
7.0	Packaging.....	14
8.0	Gages and Fixtures.....	14
9.0	Other Information.....	14

<u>REVISION:</u> H	<u>ECR/ECN INFORMATION:</u> EC No: 120799 DATE: 2017/17/08	<u>TITLE:</u> MX123 QUAD ROW SEALED ASSEMBLY MAT SEAL	<u>SHEET No.</u> 3 of 14
<u>DOCUMENT NUMBER:</u> PS-34566-0000	<u>CREATED / REVISED BY:</u> A. PODDATURI	<u>CHECKED BY:</u> S. RAJENDRANATH	<u>APPROVED BY:</u> V. KOSHY

1.0 SCOPE

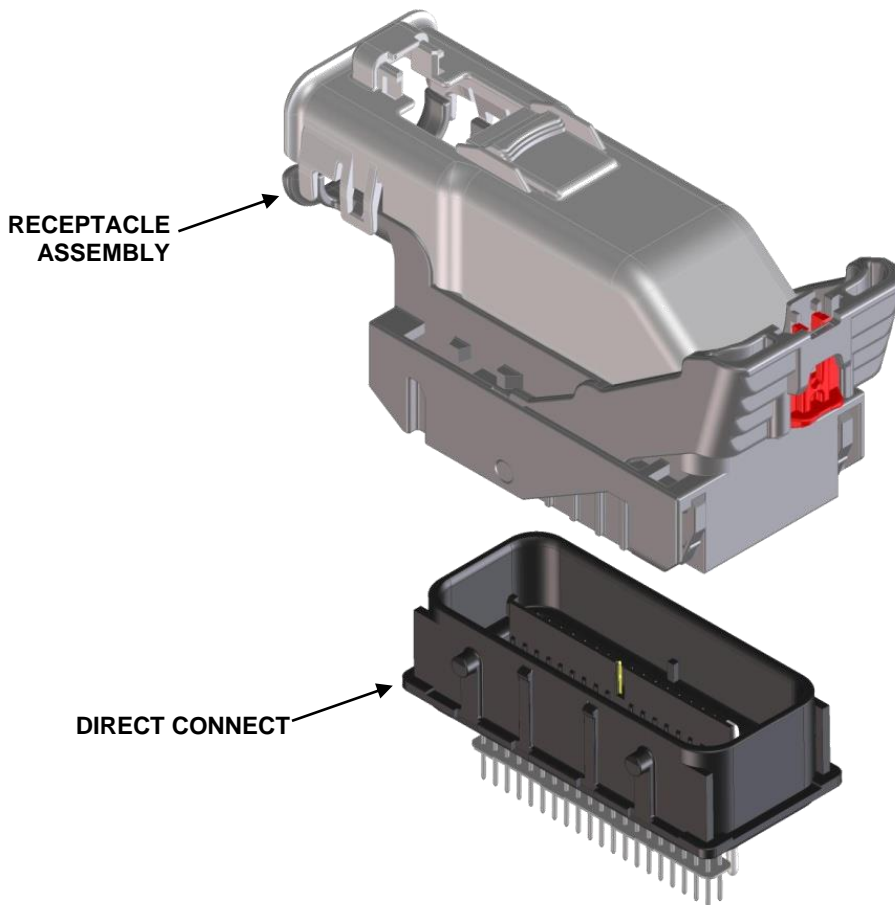
This specification covers the sealed 2.54 mm (0.10”) centerline pitch quad-row MX123 connector product line (wire to board) utilizing a 0.64 mm system terminated with 22 AWG to 18 AWG wire and ISO 0.35mm² to 0.75mm² wire using crimp technology & hybrid versions utilizing:

- i. 2.80 mm system terminated with 14 AWG wire.
- ii. 6.35 mm system terminated with 6.0mm² ISO wire.

For information not covered in the product specification, please refer to appropriate Sales Drawing (SD) or Application Specification (AS)

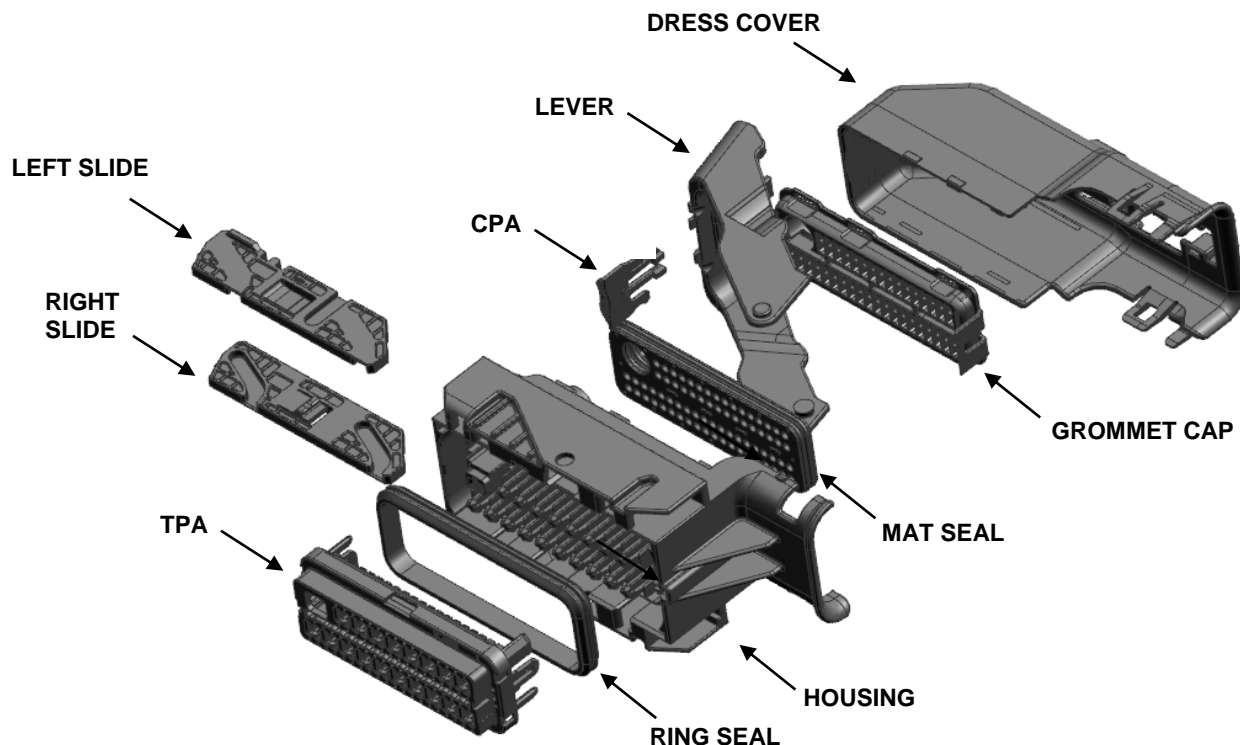
2.0 PRODUCT DESCRIPTION

2.1. Direct Connect (wire to board application)



<p>REVISION: H</p>	<p>ECR/ECN INFORMATION: EC No: 120799 DATE: 2017/17/08</p>	<p>TITLE: MX123 QUAD ROW SEALED ASSEMBLY MAT SEAL</p>	<p>SHEET No. 4 of 14</p>
<p>DOCUMENT NUMBER: PS-34566-0000</p>	<p>CREATED / REVISED BY: A. PODDATURI</p>	<p>CHECKED BY: S. RAJENDRANATH</p>	<p>APPROVED BY: V. KOSHY</p>

2.2. Receptacle Assembly



COMPONENTS OF THE MX123 HARNESS CONNECTOR ASSEMBLY

COMPONENT	MATERIAL
HOUSING	30% glass filled SPS/nylon blend
TPA	30% glass filled SPS/nylon blend
GROMMET CAP	30% glass filled SPS/nylon blend
SEALS (MAT SEAL & RING SEAL)	Inherently lubricated silicone
SLIDES (L & R)	Large Footprint - 30% glass filled PBT w/ PTFE Small Footprint - 30% glass filled PPE/PA
MATE ASSIST LEVER	30% glass filled SPS/nylon blend
CPA	10% glass filled PPE/ nylon blend

REVISION: H	ECR/ECN INFORMATION: EC No: 120799 DATE: 2017/17/08	TITLE: MX123 QUAD ROW SEALED ASSEMBLY MAT SEAL	SHEET No. 5 of 14
DOCUMENT NUMBER: PS-34566-0000	CREATED / REVISED BY: A. PODDATURI	CHECKED BY: S. RAJENDRANATH	APPROVED BY: V. KOSHY

2.3. Product Name and Series Number

Refer to listed document number for part availability, dimensions, material, marking information, packaging information, interface definition, and configuration options etc.

	Product Name	Document Number	Series
RECEPTACLE ASSEMBLY	MX123 Large Footprint - 66/73/80CKT HRNS CONN ASSY	SD-34566-001 – Assembly Drawing SD-34566-001 – Bill of Materials	34566
	MX123 Small Footprint - 18/49/56CKT HRNS CONN ASSY	SD-34576-001 – Assembly Drawing SD-34576-001 – Bill of Materials	34576
INTERFACE	MX123 80CKT INTERFACE	SD-34566-0001	34566
	MX123 73CKT INTERFACE		
	MX123 66CKT INTERFACE		
	MX123 56CKT INTERFACE	SD-34576-0001	34576
	MX123 49CKT INTERFACE		
	MX123 18CKT INTERFACE		

3.0 INTEGRAL COMPONENTS AND ACCESSORIES

Integral components and accessories are sold separately.

3.1. Integral Components

3.1.1. Receptacle Terminals

For crimping information see the Receptacle Terminal Application Specification listed in section [4.0](#).

Terminal Information	Document Number
MX64 Receptacle, Mat Seal, Ag, 0.35mm ² -0.75mm ² ISO wire	SD-33468-002
MX64 Receptacle, Mat Seal, Ag, 18-22AWG wire	SD-33468-001
Yazaki 2.8mm ² Receptacle, Cable Seal, Sn, 14AWG wire	Ford: 97BG-14474-BDA
Yazaki 2.8mm ² Receptacle, Cable Seal, Sn, 2.0mm ² ISO wire	
Apex 6.3mm Receptacle, Cable Seal, Sn/Ag, 6.0mm ² ISO wire	Delphi: 13707625

REVISION: H	ECR/ECN INFORMATION: EC No: 120799 DATE: 2017/17/08	TITLE: MX123 QUAD ROW SEALED ASSEMBLY MAT SEAL	SHEET No. 6 of 14
DOCUMENT NUMBER: PS-34566-0000	CREATED / REVISED BY: A. PODDATURI	CHECKED BY: S. RAJENDRANATH	APPROVED BY: V. KOSHY

3.1.2. Dress Cover

For availability and part numbers see the Assembly Drawing and the Bill of Materials Drawing listed in section [2.3](#).

Product Name	Document Number	Series
MX123 Large Footprint - 66/73/80CKT Dress Cover	345650003	34565
MX123 Small Footprint - 18/49/56CKT Dress Cover	345750003	34575

3.1.3. Applicable Wires

3.1.3.1. Wire size

See section [6.0](#) for temperature range and recommended wire type within this system.

3.1.3.2. ISO Wire

Per the listed wire specifications where the insulation diameter is within 1.20mm to 1.90mm.

- GMW15626 February 2008

3.1.3.3. SAE Wire

Per the listed wire specifications where the insulation diameter is within 1.47mm to 2.06mm.

- SAE J1128 Dec 2005

3.1.4. Terminal Service Tool

See the Connector Application Specification listed in section [4.0](#).

3.2. Accessories

3.2.1. Cavity (Seal) Plugs

Information	Description	Document Number
MX64 Cavity Seal Plug, Black	34586 – 0001	SD-34586-001

REVISION: H	ECR/ECN INFORMATION: EC No: 120799 DATE: 2017/17/08	TITLE: MX123 QUAD ROW SEALED ASSEMBLY MAT SEAL		SHEET No. 7 of 14
DOCUMENT NUMBER: PS-34566-0000		CREATED / REVISED BY: A. PODDATURI	CHECKED BY: S. RAJENDRANATH	APPROVED BY: V. KOSHY

4.0 APPLICABLE DOCUMENTS AND SPECIFICATIONS

Document Title	Document Number
UL File Number	Not Applicable
CSA File Number	Not Applicable
TUV License number	Not Applicable
IMDS Report	Available upon request
Environmental Compliance	Available on molex.com
Connector Application Specification	AS-34566-001
Receptacle Terminal Product Specification	SAE: PS-33468-001 ISO: PS-33468-002
Receptacle Terminal Application Specification	SAE: AS-33468-001 ISO: AS-33468-002
Receptacle Connector Test Summary	TS-34566-002 TS-34566-1546
Packaging Specification	PK-31300-019

5.0 RATINGS

5.1. Voltage - Operating

Operating Voltage: 14 Volts DC Maximum

5.2. Voltage - Isolation Resistance

100MΩ Minimum when 500 Volts DC between adjacent terminals and terminals to ground.

5.3. Current Rating

See the Receptacle Terminal Product Specification listed in section [4.0](#).

5.3.1. MX64 Current Rating

For MX64 Receptacle Terminal, see the Terminal Product Specification listed in section [4.0](#).

5.3.2. Yazaki 2.8mm

For Yazaki 2.8mm Sn Plated Cable Seal Receptacle Terminal with 14AWG wire, see TS-34566-0006

5.3.3. Apex 6.3mm

For Apex 6.3mm Sn/Ag Plated Cable Seal Receptacle Terminal with 6.0mm² ISO wire, see 348510001-TS

REVISION: H	ECR/ECN INFORMATION: EC No: 120799 DATE: 2017/17/08	TITLE: MX123 QUAD ROW SEALED ASSEMBLY MAT SEAL	SHEET No. 8 of 14
DOCUMENT NUMBER: PS-34566-0000	CREATED / REVISED BY: A. PODDATURI	CHECKED BY: S. RAJENDRANATH	APPROVED BY: V. KOSHY

5.4. Temperature

Non-operating: - 55°C to + 150°C, see TS-34566-1546 in section [4.0](#).
 Operating: - 40°C to + 125°C

5.5. Flammability

The burn rate of the plastic material when tested to ISO 3795 shall not exceed 100 mm/min.

6.0 PERFORMANCE

- For a list of completed tests reference the Connector Test Summary document listed in section [4.0](#).

6.1. Connector Performance

6.1.1. This Product Conforms To GMW3191 Dec 2007 With The Following Conditions.

6.1.1.1. Vibration Performance

Circuit Size	Terminal Type	Durability / Target Life	Operating Conditions	Wire Range	Designed to Mate with	Recommended Wire Type*	Recommended Terminal Plating Type
80/56	MX64	1.0	Temperature Class III Vibration Class I	1.20-1.90mm	Device	ISO	Ag
				1.47-2.06mm		TXL	
73/49	MX64	1.0	Temperature Class III Vibration Class I	1.20-1.90mm	Device	ISO	Ag
				1.47-2.06mm		TXL	
18	Yazaki 2.8mm	1.0	Temperature Class III Vibration Class I	2.50-2.80mm	Device	TXL	Sn
						ISO	
18	MX64	1.0	Temperature Class III Vibration Class I	1.20-1.90 mm	Device	ISO	Ag
				1.47-2.06mm		TXL	
	Apex 6.3mm	1.0	Temperature Class III Vibration Class I	4.00-4.30mm	Device	ISO	Sn/Ag

*Must be compliant to the wire specifications listed in section [3.1.3](#)

6.1.1.2. Electrical Performance

Circuit Size	Terminal Type	Durability / Target Life	Operating Conditions	Wire Range	Designed to Mate with	Recommended Wire Type*	Recommended Terminal Plating Type
80/56	MX64	1.0	Temperature Class III	1.20-1.90mm	Device	ISO	Ag
				1.47-2.06mm		TXL	
73/49	MX64	1.0	Temperature Class III	1.20-1.90mm	Device	ISO	Ag
				1.47-2.06mm		TXL	
18	Yazaki 2.8mm	1.0	Temperature Class III	2.50-2.80mm	Device	TXL	Sn
						ISO	
18	MX64	1.0	Temperature Class III	1.20-1.90 mm	Device	ISO	Ag
				1.47-2.06mm		TXL	
	Apex 6.3mm	1.0	Temperature Class III	4.00-4.30mm	Device	ISO	Sn/Ag

*Must be compliant to the wire specifications listed in section [3.1.3](#)

REVISION: H	ECR/ECN INFORMATION: EC No: 120799 DATE: 2017/17/08	TITLE: MX123 QUAD ROW SEALED ASSEMBLY MAT SEAL	SHEET No. 9 of 14
DOCUMENT NUMBER: PS-34566-0000	CREATED / REVISED BY: A. PODDATURI	CHECKED BY: S. RAJENDRANATH	APPROVED BY: V. KOSHY

6.1.1.3. Mechanical Performance

Circuit Size	Assembly	Designed to Mate with	Operating Conditions	Plating Type	Test	Performance	Criteria
80/73/ 66/56/ 49/18	Receptacle Assembly	Device	N/A	Ag	Terminal Position Assurance (TPA) - TPA Closing (Pre-Lock to Lock) Force with One Improperly Assembled Terminal	This has no acceptance criteria since evaluation test only as per GMW3191 Aug 2000.	No criteria
80/73/ 66/56/ 49/18	Receptacle Assembly	Device	N/A	Ag	Terminal Position Assurance (TPA) - TPA Closing (Pre-Lock to Lock) Force with Properly Assembled Terminals	< 75N	TPA was designed to GMW3191 Aug 2000, where TPA closing/locking force with correctly assembled terminals shall be < 75 N.
80/73/ 66/56/ 49/18	Receptacle Assembly	Device	N/A	Ag	Connector Position Assurance (CPA) - CPA Unlock Force	< 30N	CPA was designed to GMW3191 August 2000, where the CPA locking force must be < 30N.

*Must be compliant to the wire specifications listed in section [3.1.3](#)

REVISION: H	ECR/ECN INFORMATION: EC No: 120799 DATE: 2017/17/08	TITLE: MX123 QUAD ROW SEALED ASSEMBLY MAT SEAL	SHEET No. 10 of 14
DOCUMENT NUMBER: PS-34566-0000	CREATED / REVISED BY: A. PODDATURI	CHECKED BY: S. RAJENDRANATH	APPROVED BY: V. KOSHY

6.1.1.4. Sealing Performance

- Silicone seals swell in the presence of gasoline and diesel fuel. This condition may cause excessive connector mate/un-mate forces and/or reduce the Grommet Cap retention.
- Molded in seal plugs have also been tested to the below conditions. For loose piece cavity seal plug information see section [6.2](#).

Circuit Size	Terminal Type	Durability / Target Life	Operating Conditions	Wire Range	Designed to Mate with	Recommended Wire Type*	Recommended Terminal Plating Type
80/56	MX64	1.0	Sealing Class III Temperature Class III	1.20-1.90mm	Device	ISO	Ag
				1.47-2.06mm		TXL	
73/49	MX64	1.0	Sealing Class III Temperature Class III	1.20-1.90mm	Device	ISO	Ag
				1.47-2.06mm		TXL	
	Yazaki 2.8mm	1.0	Sealing Class III Temperature Class III	2.50-2.80mm	Device	TXL	Sn
						ISO	
18	MX64	1.0	Sealing Class III Temperature Class III	1.20-1.90 mm	Device	ISO	Ag
				1.47-2.06mm		TXL	
	Apex 6.3mm	1.0	Sealing Class III Temperature Class III	4.00-4.30mm	Device	ISO	Sn/Ag

*Must be compliant to the wire specifications listed in section [3.1.3](#)

6.1.2. This Product Conforms To USCAR-20 Dec 2001 With The Following Conditions.

6.1.2.1. Field Correlated Life Test (125°C)

Circuit Size	Terminal Type	Durability / Target Life	Operating Conditions	Wire Range	Designed to Mate with	Recommended Wire Type*	Recommended Terminal Plating Type
80/56	MX64	1.0	Sealing Class III Temperature Class III	1.20-1.90mm	Device	ISO	Ag
				1.47-2.06mm		TXL	
73/49	MX64	1.0	Sealing Class III Temperature Class III	1.20-1.90mm	Device	ISO	Ag
				1.47-2.06mm		TXL	
	Yazaki 2.8mm	1.0	Sealing Class III Temperature Class III	2.50-2.80mm	Device	TXL	Sn
						ISO	
	Apex 6.3mm	1.0	Sealing Class III Temperature Class III	4.00-4.30mm	Device	ISO	Sn/Ag

*Must be compliant to the wire specifications listed in section [3.1.3](#)

REVISION: H	ECR/ECN INFORMATION: EC No: 120799 DATE: 2017/17/08	TITLE: MX123 QUAD ROW SEALED ASSEMBLY MAT SEAL	SHEET No. 11 of 14
DOCUMENT NUMBER: PS-34566-0000	CREATED / REVISED BY: A. PODDATURI	CHECKED BY: S. RAJENDRANATH	APPROVED BY: V. KOSHY

PRODUCT SPECIFICATION

6.1.3. This Product Conforms To Power Thermal Cycling (PTC) GMW3172 B H E Z E IP6k9K and IP6K8 Dec 2005 With The Following Conditions.

Circuit Size	Terminal Type	Durability / Target Life	Operating Conditions	Wire Range	Designed to Mate with	Recommended Wire Type*	Recommended Terminal Plating Type
80/56	MX64	1.0	Temperature Class III	1.92-2.06mm	Device	TXL	Ag
73/49	MX64	1.0	Temperature Class III	1.92-2.06mm	Device	TXL	Ag
	Yazaki 2.8mm	1.0	Temperature Class III	2.50-2.80mm	Device	TXL	Sn
18	MX64	1.0	Temperature Class III	1.92-2.06mm	Device	TXL	Ag
	Apex 6.3mm	1.0	Temperature Class III	4.00-4.30mm	Device	ISO	Sn/Ag

*Must be compliant to the wire specifications listed in section [3.1.3](#)

6.1.4. This Product Conforms To EIA-364-65B Class IIIA, 48Hours Mixed Flow Gas (MFG) Testing With The Following Conditions.

Circuit Size	Terminal Type	Durability / Target Life	Operating Conditions	Wire Range	Designed to Mate with	Recommended Wire Type*	Recommended Terminal Plating Type
80/56	MX64	1.0	Temperature Class III	1.92-2.06mm	Device	TXL	Ag

*Must be compliant to the wire specifications listed in section [3.1.3](#)

6.1.5. This Product Conforms To IPx8, GMW3172 July 2010 With The Following Conditions.

Circuit Size	Terminal Type	Durability / Target Life	Operating Conditions	Wire Range	Designed to Mate with	Recommended Wire Type*	Recommended Terminal Plating Type
80/56	MX64	1.0	Temperature Class III	1.92-2.06mm	Device	TXL	Ag
73/49	MX64	1.0	Temperature Class III	1.92-2.06mm	Device	TXL	Ag
	Yazaki 2.8mm	1.0	Temperature Class III	2.50-2.80mm	Device	ISO	Sn
18	MX64	1.0	Temperature Class III	1.92-2.06mm	Device	TXL	Ag
	Apex 6.3mm	1.0	Temperature Class III	4.00-4.30mm	Device	ISO	Sn/Ag

*Must be compliant to the wire specifications listed in section [3.1.3](#)

REVISION: H	ECR/ECN INFORMATION: EC No: 120799 DATE: 2017/17/08	TITLE: MX123 QUAD ROW SEALED ASSEMBLY MAT SEAL	SHEET No. 12 of 14
DOCUMENT NUMBER: PS-34566-0000	CREATED / REVISED BY: A. PODDATURI	CHECKED BY: S. RAJENDRANATH	APPROVED BY: V. KOSHY

6.1.6. This Product Conforms To IEC 60068-2-27 Ea. 2008-02 Vibration 8Hours/Axis with Thermal Cycling -40°C to 105°C With The Following Conditions.

Circuit Size	Terminal Type	Durability / Target Life	Operating Conditions	Wire Range	Designed to Mate with	Recommended Wire Type*	Recommended Terminal Plating Type
80/56	MX64	1.0	Temperature Class III Vibration Class I	1.20-1.90mm	Device	ISO	Ag
				1.47-2.06mm		TXL	
73/66/ 49	MX64	1.0	Temperature Class III Vibration Class I	1.20-1.90mm	Device	ISO	Ag
				1.47-2.06mm		TXL	
	Yazaki 2.8mm	1.0	Temperature Class III Vibration Class I	2.50-2.80mm	Device	TXL	Sn
						ISO	
					TXL		

*Must be compliant to the wire specifications listed in section [3.1.3](#)

6.2. Auxiliary Component- Seal Plug

6.2.1. Product Performance Is Based On Terminal Requirements per GMW3191 Dec 2007

6.2.1.1. Mechanical Performance

Circuit Size	Designed to Mate with	Operating Conditions	Plating Type	Test	Performance	Criteria
All Ckt	Device	N/A	Ag	Grommet seal plug insertion force into lock position	40N	Max
				Grommet seal plug removal force from lock position	≥5N and ≤40N	Range

6.2.1.2. Sealing Performance

Circuit Size	Operating Conditions
All Ckt	Sealing Class III Temperature Class III

REVISION: H	ECR/ECN INFORMATION: EC No: 120799 DATE: 2017/17/08	TITLE: MX123 QUAD ROW SEALED ASSEMBLY MAT SEAL	SHEET No. 13 of 14
DOCUMENT NUMBER: PS-34566-0000	CREATED / REVISED BY: A. PODDATURI	CHECKED BY: S. RAJENDRANATH	APPROVED BY: V. KOSHY

6.3. This product conforms To ISTA-1A 2001 with the following conditions.

- PLRs may become seated during transit, please refer to PLR Transit Related Product Specification listed in section [4.0](#).

6.4. This product conforms To DIN 40 050 1993 with the following conditions.

- Meets IP67 and IPx9K.

7.0 PACKAGING

- Molex packaging drawing numbers are located on the Packaging Drawing listed in section [4.0](#).
- Parts should be packaged to protect against damage during handling, transit and storage.

8.0 GAGES AND FIXTURES

All applicable gages and fixtures are referenced in the appropriate control plans.

9.0 OTHER INFORMATION

To add new knock out patterns contact your sales engineer.

MOLEX REPRESENTS AND WARRANTS TO BUYER FOR A PERIOD OF ONE (1) YEAR FROM THE DATE OF DELIVERY OF THE PRODUCTS TO BUYER THAT

- 1) THE PRODUCTS SHALL CONFORM TO THE MOLEX SPECIFICATIONS FOR THE PRODUCTS IN FORCE AT THE DATE OF DELIVERY OF THE PRODUCTS TO BUYER, AND
- 2) THE PRODUCTS SHALL BE OF FREE FROM MATERIAL DEFECTS IN MATERIALS AND MANUFACTURING.

EXCEPT AS EXPRESSLY PROVIDED ABOVE, MOLEX MAKES NO WARRANTY, EXPRESS OR IMPLIED, REGARDING THE PRODUCTS. ALL IMPLIED WARRANTIES, INCLUDING, BUT NOT LIMITED TO, THE IMPLIED WARRANTIES OF FITNESS FOR A PARTICULAR PURPOSE, ARE HEREBY DISCLAIMED. IN ADDITION, MOLEX EXPRESSLY DISCLAIMS ANY WARRANTY OBLIGATIONS IN THOSE INSTANCES WHERE THE FAILURES RESULTED FROM THE MODIFICATION OF THE PRODUCTS BY BUYER OR ITS CUSTOMERS, IMPROPER HANDLING, USE OR INSTALLATION OF THE PRODUCTS BY BUYER OR ITS CUSTOMERS, OR ANY OTHER CAUSE BEYOND THE CONTROL OF MOLEX.

REVISION: H	ECR/ECN INFORMATION: EC No: 120799 DATE: 2017/17/08	TITLE: <p style="text-align: center;">MX123 QUAD ROW SEALED ASSEMBLY MAT SEAL</p>		SHEET No. 14 of 14
DOCUMENT NUMBER: <p style="text-align: center;">PS-34566-0000</p>		CREATED / REVISED BY: <p style="text-align: center;">A. PODDATURI</p>	CHECKED BY: <p style="text-align: center;">S. RAJENDRANATH</p>	APPROVED BY: <p style="text-align: center;">V. KOSHY</p>