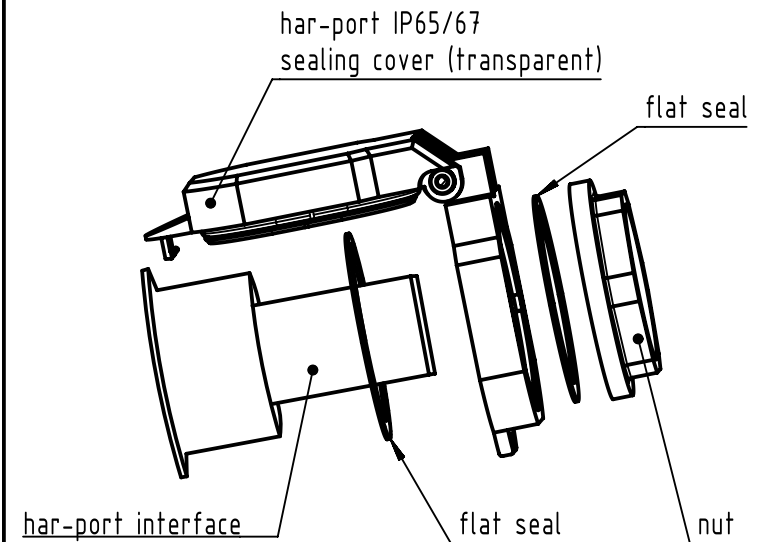



assembly with har-port interfaces:



	All Dimensions in mm Original Size DIN A4		Scale 1:1	Free size tol.		Ref. Sub. TB 09455020005 / 500000054359 / 2012-11-07		
	All rights reserved Department EC PD - DE		Created by STORCK	Inspected by ELLERMANN	Standardisation HOFFMANN	Date 2016-02-24	State Final Release	
HARTING Electronics GmbH D-32339 Espelkamp			Title har-port sealing cover transparent				Doc-Key / ECM-Nr. 100510108/UGD/001/B 500000100730	
			Type TB	Number 09455020005			Rev. B	Page 1/1