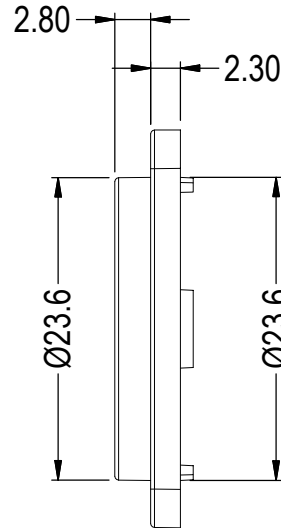
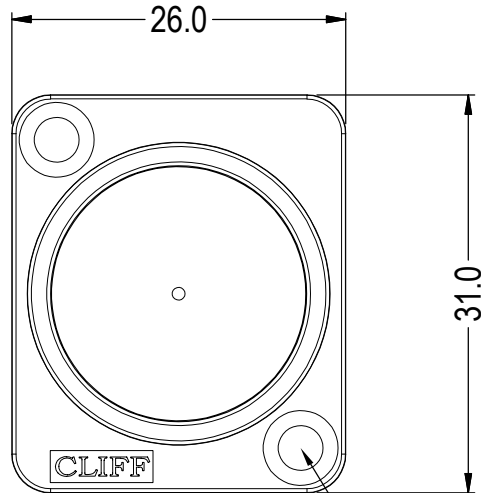
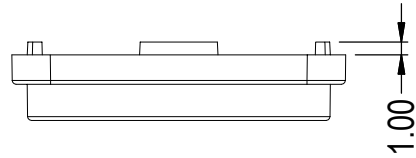
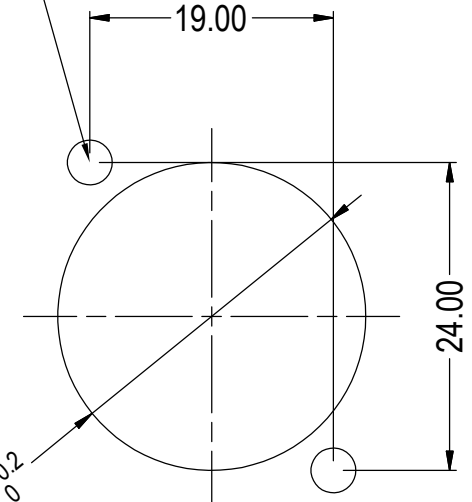
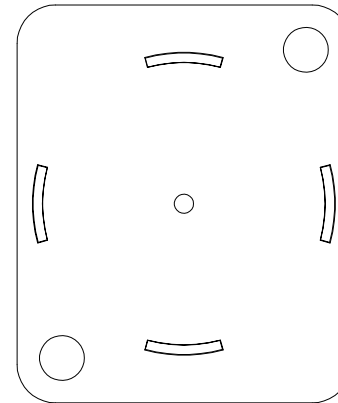


ISS.	AMEND	DATE
1	ISSUED	05/07/18

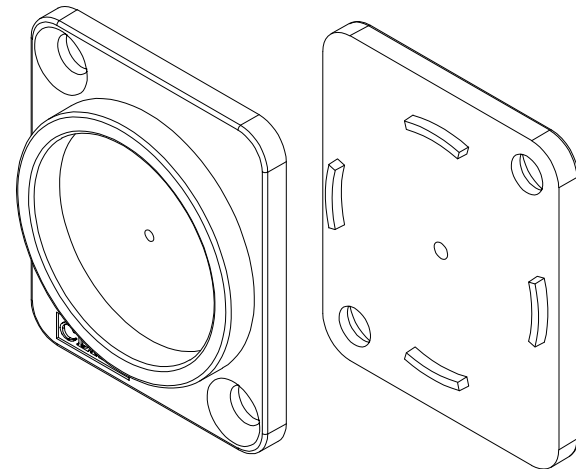
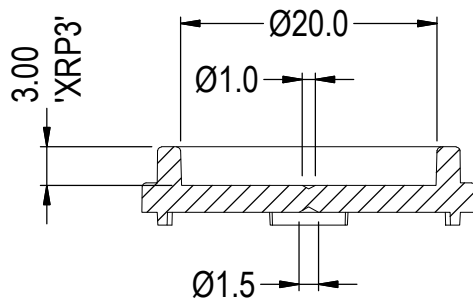
PART NUMBER	FINISH	FIXING HOLE TYPE
CP30300M	NICKEL PLATE	Ø3.5 CSK 82° x Ø5.85
CP30300MB	MATTE BLACK	Ø3.5 CSK 82° x Ø5.85
CP30300M3	NICKEL PLATE	M3 HOLES
CP30300MB3	MATTE BLACK	M3 HOLES



CAN BE FRONT OR REAR MOUNTED. HOLE SIZE TO SUIT



Ø3.5 CSK 82° x Ø5.85 (2x)
OR M3x0.5 (2x) - SEE TABLE



Ø24.0^{+0.2}₀

PANEL CUTOUT
MAXIMUM PANEL
THICKNESS 3mm

RoHS
COMPLIANT

TOLERANCE
NO DEC. PLACE ± 0.50
1 DEC. PLACE ± 0.20
2 DEC. PLACE ± 0.10
HOLE Ø ± 0.10
ANGLES ± 1/2°
UNLESS
OTHERWISE STATED

DO NOT SCALE

Cliff Electronic Components Ltd.

76 Holmethorpe Avenue, Holmethorpe Industrial Estate,
Redhill, Surrey, RH1 2PF, England, UK
Tel: 01737-771375 Fax: 01737-766012 Website: www.cliffuk.co.uk

DIMENSIONS IN MILLIMETERS UNLESS OTHERWISE STATED. WORK TO DIMENSIONS. REMOVE ALL BURRS. IF IN DOUBT ASK.

3rd ANGLE PROJECTION:

MATERIAL: ZINC ALLOY
FINISH: NICKEL PLATE + MATTE BLACK

TITLE: XRP3 METAL BLANK

THE CONTENTS OF THIS DOCUMENT MUST NOT BE COPIED OR DISCLOSED TO A 3rd PARTY WITHOUT WRITTEN PERMISSION OF CLIFF UK. © 2018

DRAWN: T.J.O.

APPROVED: DPJ

DRWG. No. CP30300M

FORM: A4DRWG