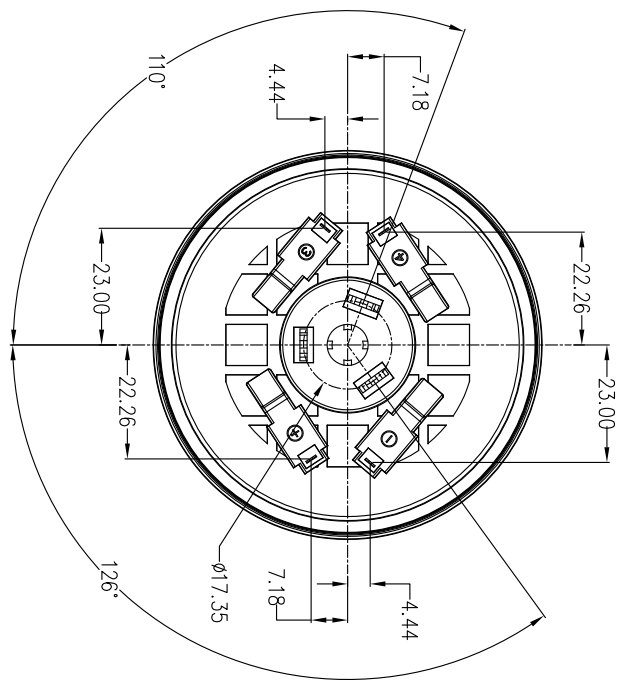
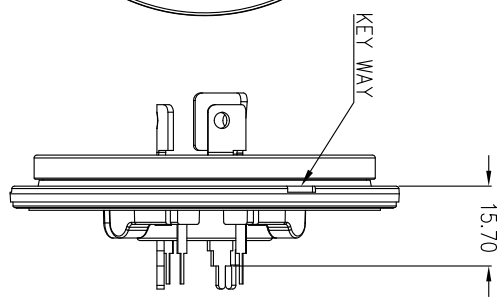
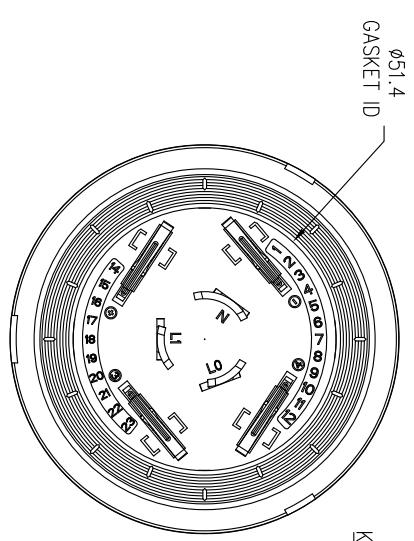
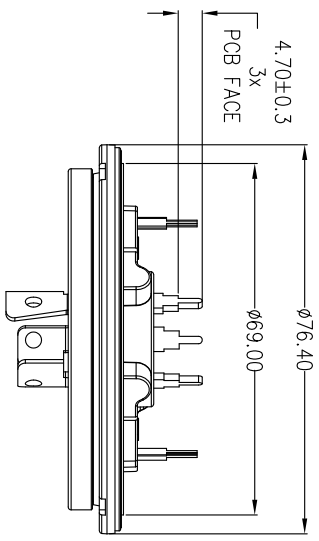


No.	Description	Drawn	Date	Ver



NOTES:

- 1.MATERIALS:
HOUSING: PBT
DIMMING CONTACTS: COPPER ALLOY
LINE VOLTAGE CONTACT: COPPER ALLOY
GASKET: SILICON RUBBER
- 2.MATING INTERFACE PER ANSI C136.41-2013

Linyo Linyo Electronics Technology CO., Ltd

Drawing	Wangyu	2018-09-25	Ver	V4
Check			Angle	
Approve			Drawing NO.	LYSLC07Z
Scale	1:1	Spec	LIGHT CONTROLLER BASE ASS'Y(LV7M)	Unit
Tolerance: .X:±0.1 .XX:±0.05 .XXX:±0.02				mm

A 1 2 3 4 5 6 7 8
H G F E D C B A
1 2 3 4 5 6 7 8