

PART NAME: KNOB

SCALE: 1:1

DATE: 2/26/97

DR. BY HD



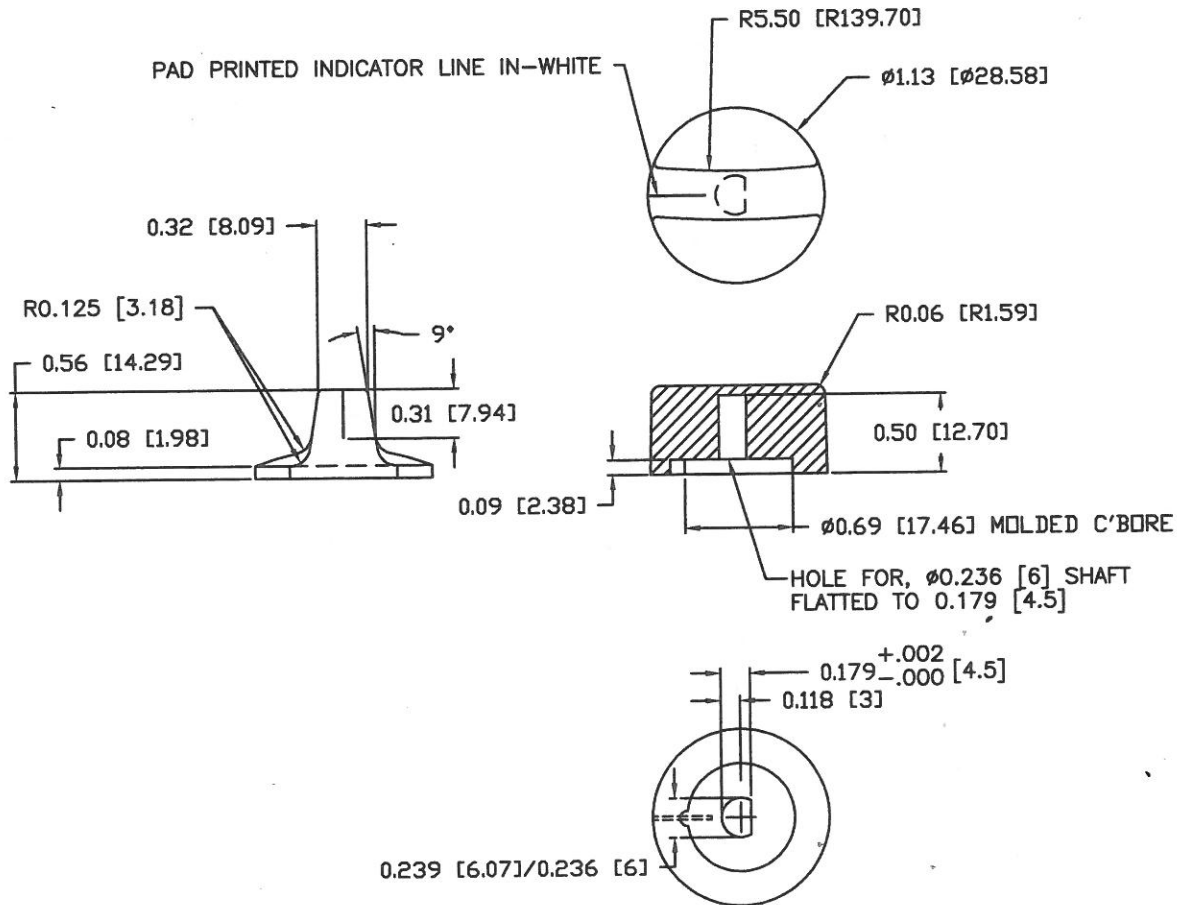
DESIGNERS & MANUFACTURERS OF KNOBS, HANDLES, CASES & CUSTOM PLASTIC COMPONENTS

P/N 1500BQ

THIS DRAWING IS THE PROPERTY OF DAVIES MOLDING COMPANY, IS SUBMITTED SOLELY AS A DESIGN OR ENGINEERING PROJECT. WE ACCEPT NO RESPONSIBILITY WHATSOEVER FOR THE PRACTICAL APPLICATION OF THE PIECES MADE TO THIS DESIGN.

BASE PART 1500-16

(A)



MATERIAL: G.P. PHENOLIC (B11)
COLOR: BLACK

TOLERANCES: UNLESS OTHERWISE SPECIFIED	DO NOT SCALE DRAWING			
DECIMALS: X.XXX \pm .005 X.XX \pm .015	MM: X.XX \pm 0.15MM X.X \pm 0.4MM	A	ADDED BASE PART	JAM 12/9/16
FRACTIONS \pm 1/64	ANG. \pm 1'	CHANGES		