

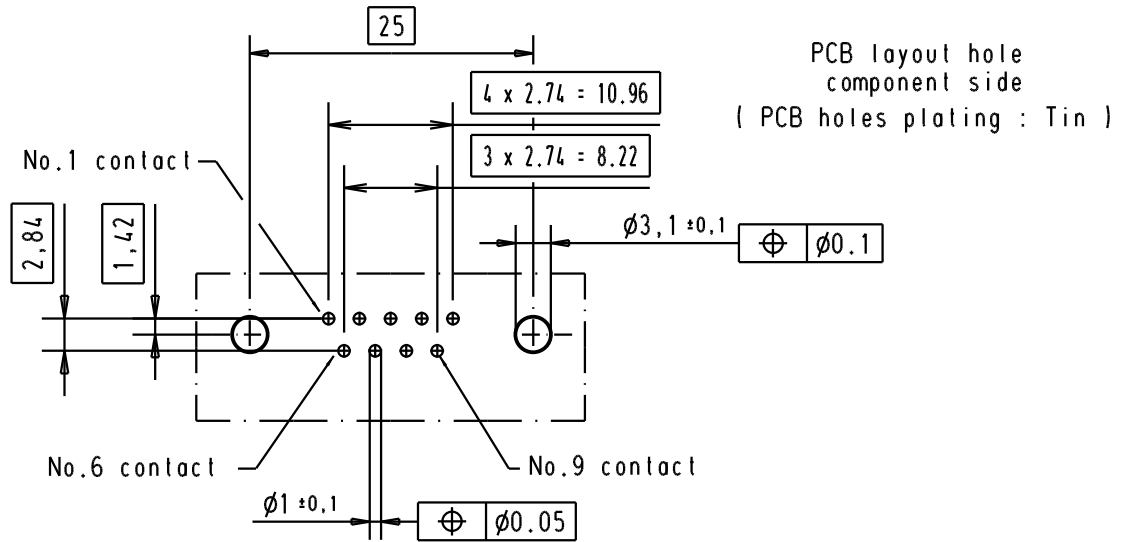
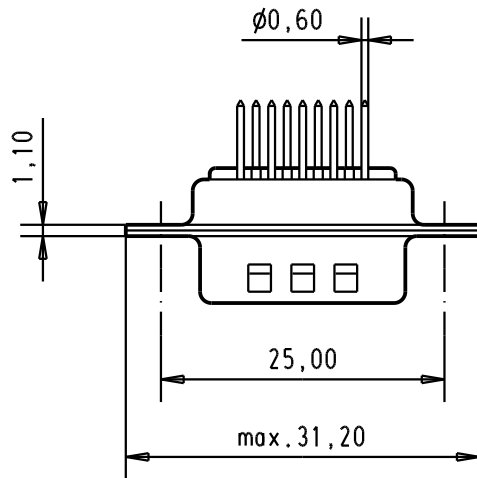
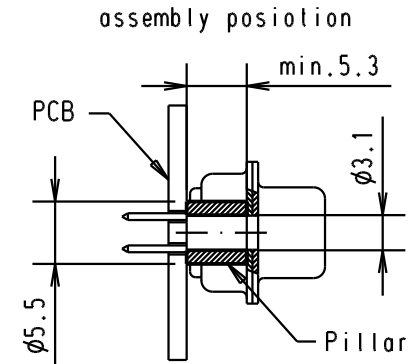
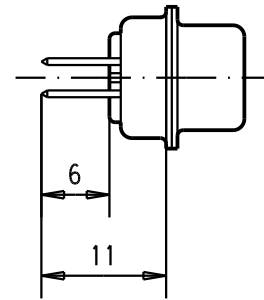
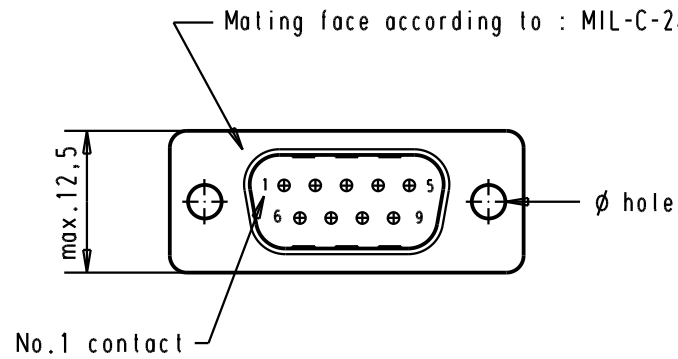
5

4

3


2

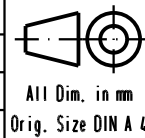
1



PCB layout hole component side  
( PCB holes plating : Tin )

A

Part number	ø hole	Performance level	Mod.	Dat.	Name	Det.	Dat.	Name	Moßstab/ Scale
09 67 009 5656	3.1 ± 0.1	1				Detail.	07/feb/01	jfb	1.5:1
09 67 009 5655	3.1 ± 0.1	2	32991	01/09/05	JMDR	Insp.		D-Sub, Male, Straight 09 Poles with turned solder contacts and hole	
09 67 009 5654	3.1 ± 0.1	3	27993	04/04/01	AF	Stand.			
			27974	07/feb/01	jfb	HARTING EURL F-95972 Paris			1/2
Part number	ø hole	Performance level	Mod.	Dat.	Name				



D-Sub, Male, Straight 09 Poles  
with turned solder contacts  
and hole

TB 0967009565x

Sub.