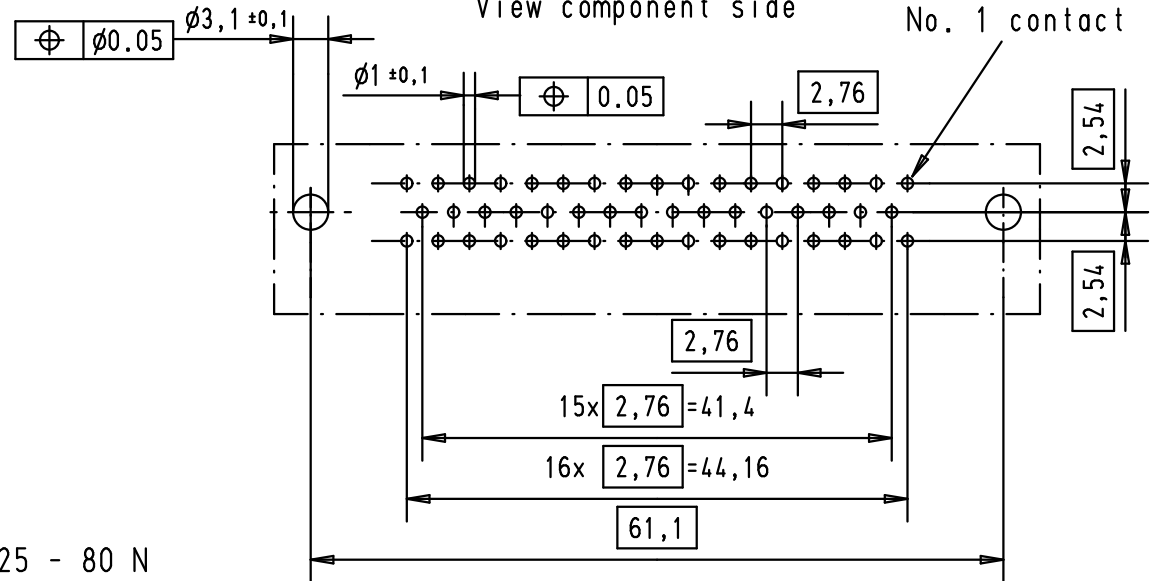
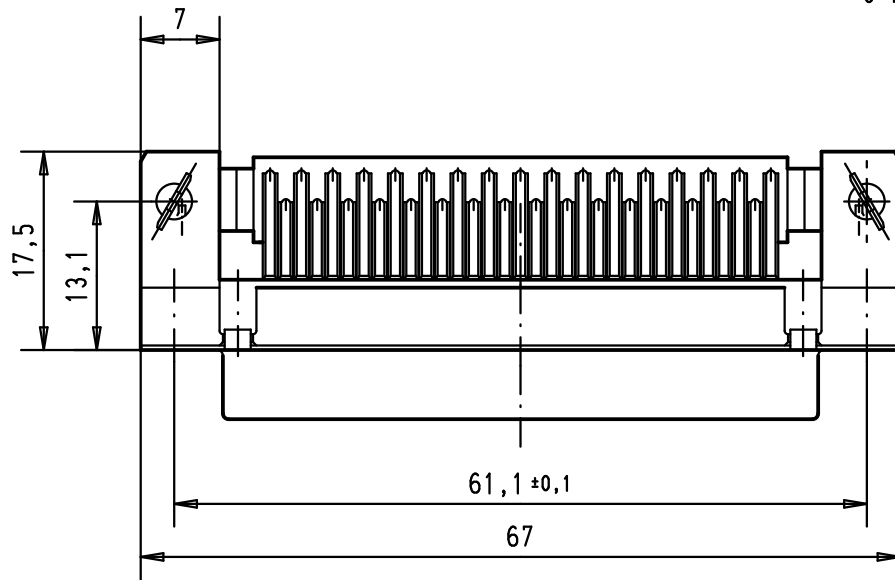
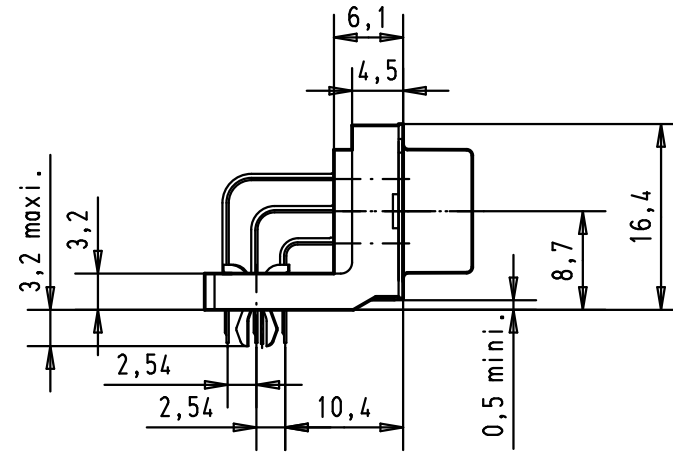
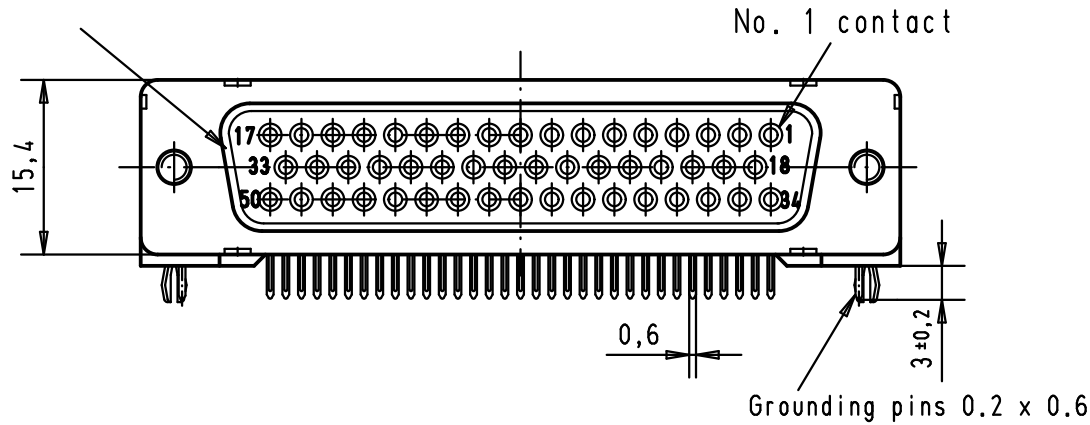



Mating face according to MIL-C-24308 / DIN 41 652 / CECC 75301-802



A

Part number	nut thread	Performance level	Mod.	Dat.	Name	Dat.	Name		D-Sub female angled 50 poles with solder pins, nuts, board lock and grounding pins	Maßstab/ Scale 1,5:1	
09 66 552 6611	M3	2									All Dim. in mm Orig. Size DIN A 4
09 66 552 7611	M3	3				Detail.	17-OCT-01	JB			
09 66 552 3611	M3	1	36285	16/12/11	SD	Insp.	16/12/11	JB			
09 66 552 6612	4-40 UNC	2	31084	04/09/02	YT	Stand.					
09 66 552 7612	4-40 UNC	3	29743	10/01/02	S.H.						
09 66 552 3612	4-40 UNC	1	29722	17-OCT-01	JB	HARTING EURL F-95972 Paris					