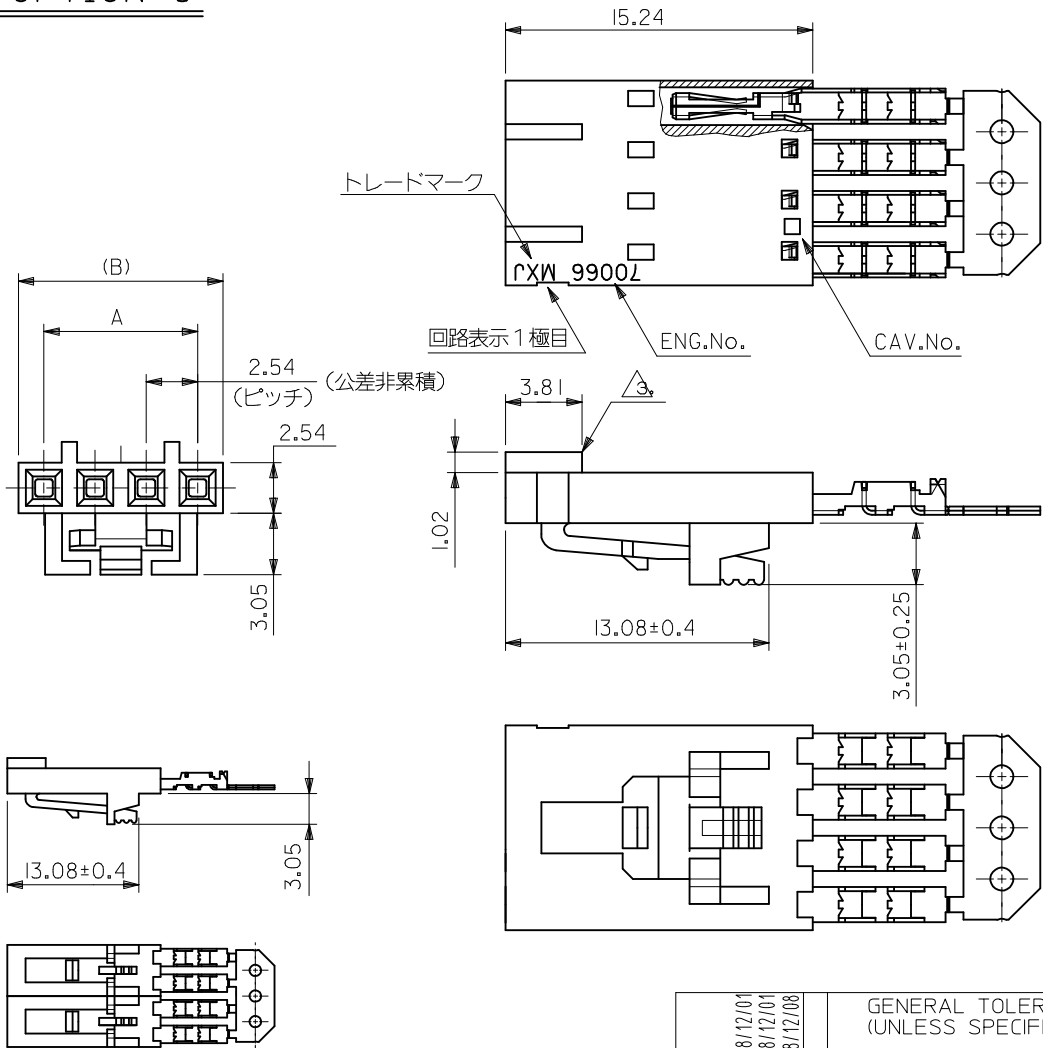


OPTION G



2極の場合  
(SCALE:2-1)

注記:

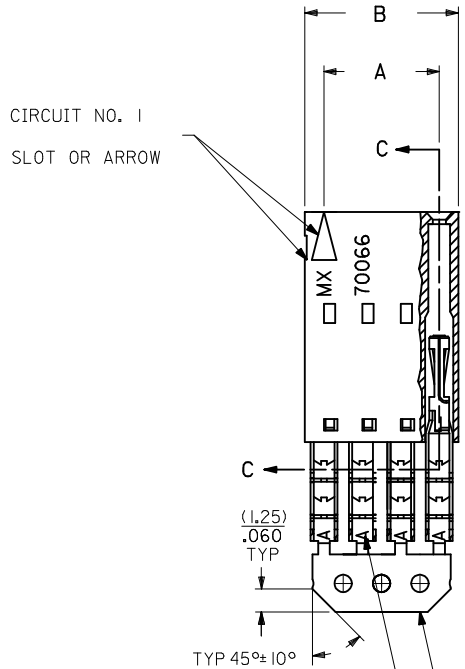
1. 材料  
ハウジング: ガラス入りポリエステル UL 94V-0  
ターミナル: 燐青銅
2. 仕上げ  
接点部 : 金メッキ 0.38 μm MIN.  
圧接部 : 錫メッキ 1.91 μm MIN.  
下地メッキ: ニッケルメッキ 1.27 μm MIN.
3. 極性リブは、2極及び3極の場合1箇所のみとする。  
但し3極の場合のリブは、1極目と2極目の間とする。
4. 適合オスコネクター: 70107-\*\*\*\*, 70018-\*\*\*\*
5. 適合ヘッダー: 70389-\*\*\*\*, 70391-\*\*\*\*
6. ハウジングの色: 黒

60.96	58.42	70400-0688	24
58.42	55.88	70400-0687	23
48.26	45.72	70400-0683	19
40.64	38.10	70400-0680	16
38.10	35.56	70400-0679	15
35.56	33.02	70400-0678	14
33.02	30.48	70400-0677	13
27.94	25.40	70400-0675	11
25.40	22.86	70400-0674	10
22.86	20.32	70400-0673	9
(B)	A	MATERIAL No.	極数

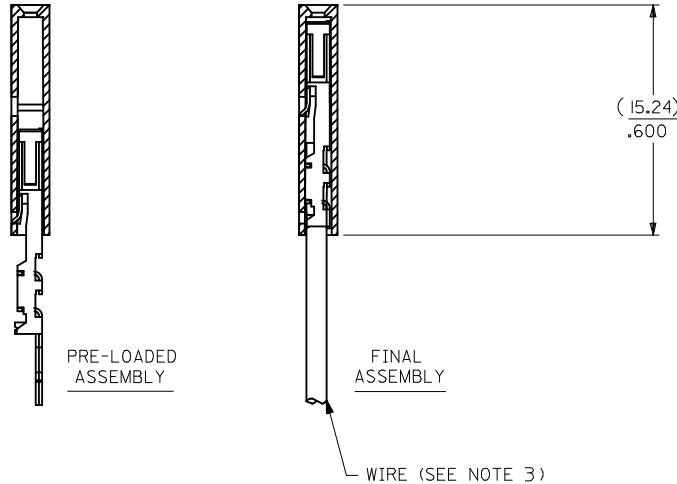
REVISED EC NO: J2009-0453 DRWN: YOSHIDAM 2008/12/01 CHKD: THARUYAMA 2008/12/01 APPR: NUKITA 2008/12/08	GENERAL TOLERANCES (UNLESS SPECIFIED)		DIMENSION STYLE	SCALE	DESIGN UNITS	THIRD ANGLE PROJECTION TITLE 2.54 SINGLE ROW ASSY FEMALE I.D.CONN OPTION G -LEAD FREE- MOLEX INCORPORATED DOCUMENT NO. SD-70400-010 SHEET NO. 1 OF 1
	10 UNDER ±0.2		MM ONLY	4:1	METRIC	
	10 OVER 30 UNDER ±0.25		DRAWN BY DATE	T. FURUHATA '87/11/17		
	30 OVER ±0.3		CHECKED BY DATE	M. SASAO		
DESCRIPTION REV	ANGULAR ±3 °		APPROVED BY DATE	S. YAMADA		
	DRAFT WHERE APPLICABLE MUST REMAIN WITHIN DIMENSIONS		MATERIAL NO.	SEE TABLE		
	SIZE A3		THIS DRAWING CONTAINS INFORMATION THAT IS PROPRIETARY TO MOLEX INCORPORATED AND SHOULD NOT BE USED WITHOUT WRITTEN PERMISSION			

# OPTION A

- NOTES:  
 1. MATERIAL:  
 HOUSING: POLYESTER(PBT), GLASS FILLED, UL94 V-0,  
 COLOR: BLACK  
 TERMINAL: PHOSPHOR BRONZE  
 2. FINISH:  
 15 GOLD: 0.38 MICROMETERS/15 MICROINCHES MINIMUM GOLD IN  
 1.91 MICROMETERS/75 MICROINCHES MINIMUM TIN  
 OVER NICKEL UNDERPLATE OVERALL  
 3. TO BE USED WITH 24 AWG STRANDED WIRE WITH (1.35)/.053  
 DIAMETER MAXIMUM INSULATION  
 4. SEE TABLE FOR AVAILABLE CIRCUIT SIZES  
 5. STANDARD PACKAGING PER PK-70873-0001. OPTIONAL PACKAGING  
 MAY BE AVAILABLE, REQUEST DRAWING PK-70400  
 6. PARTS STACKABLE END TO END ON (2.54)/.100 CENTERS  
 7. PRODUCT SPECIFICATION: PS-70400  
 8. SEE DRAWING SDA-70400-\*\*\*\* (SHEET 3) FOR OPTIONAL  
 HOUSING DETAILS  
 9. 4 CIRCUIT SHOWN  
 10. TO MATE WITH MOLEX 2.54/.100 CENTERLINE HEADERS  
 11. 2 CIRCUIT ASSEMBLIES SUPPLIED AS GROUPED PAIRS



## SECTION C-C



CKT. SIZE	A	B	EDP. NO.
2	( 2.54 ) .100	( 5.05 ) .199	14-56-2021
3	( 5.08 ) .200	( 7.59 ) .299	14-56-2031
4	( 7.62 ) .300	( 10.13 ) .399	14-56-2041
5	( 10.16 ) .400	( 12.67 ) .499	14-56-2051
6	( 12.70 ) .500	( 15.21 ) .599	14-56-2061
7	( 15.24 ) .600	( 17.75 ) .699	14-56-2071
8	( 17.78 ) .700	( 20.29 ) .799	14-56-2081
9	( 20.32 ) .800	( 22.83 ) .899	14-56-2091
10	( 22.86 ) .900	( 25.37 ) .999	14-56-2101
11	( 25.54 ) 1.000	( 27.91 ) 1.099	14-56-2111
12	( 27.94 ) 1.100	( 30.45 ) 1.199	14-56-2121
13	( 30.48 ) 1.200	( 32.99 ) 1.299	14-56-2131
14	( 33.02 ) 1.300	( 35.53 ) 1.399	14-56-2141
15	( 35.56 ) 1.400	( 38.07 ) 1.499	14-56-2151
16	( 38.01 ) 1.500	( 40.61 ) 1.599	14-56-2161
17	( 40.64 ) 1.600	( 43.15 ) 1.699	14-56-2171
18	( 43.18 ) 1.700	( 45.69 ) 1.799	14-56-2181
19	( 45.72 ) 1.800	( 48.23 ) 1.899	14-56-2191
20	( 48.26 ) 1.900	( 50.77 ) 1.999	14-56-2201
21	( 50.80 ) 2.000	( 53.31 ) 2.099	14-56-2211
22	( 53.34 ) 2.100	( 55.85 ) 2.199	14-56-2221
23	( 55.88 ) 2.200	( 58.39 ) 2.299	14-56-2231
24	( 58.42 ) 2.300	( 60.93 ) 2.399	14-56-2241
25	( 60.96 ) 2.400	( 63.47 ) 2.499	14-56-2251

I.D. SLOT CODE TO WIRE GAUGE CHART	
I.D. SLOT CODE	WIRE GAUGE
A	24 AWG.

PLATING CODE (STRIPE ON CARRIER STRIP)	
PLATING	COLOR
15 GOLD	YELLOW

REMOVE ENG NO. EC NO: UCP2011-110 DRW:MSIBARRA 2010/10/19 CHK:DJMORGAN 2010/10/19 APPR:SMILLER 2010/11/24	QUALITY SYMBOLS ∇=0 ∇=0 ∇=0	GENERAL TOLERANCES (UNLESS SPECIFIED) mm INCH 4 PLACES ± --- ± --- 3 PLACES ± --- ± .010 2 PLACES ± 0.25 ± .014 1 PLACE ± 0.35 ± --- ANGULAR ±1/2°	DIMENSION STYLE MM/IN DRAWN BY MSIBARRA DATE 2010/10/19 CHECKED BY WAZ DATE 1984/10/09 APPROVED BY SMILLER DATE 2010/11/24	SCALE DESIGN UNITS INCH TITLE ASSEMBLY, SL CONNECTOR SINGLE ROW 2.54/.100 GRID MOLEX INCORPORATED	THIRD ANGLE PROJECTION SHEET NO. 1 OF 1
		DRAFT WHERE APPLICABLE MUST REMAIN WITHIN DIMENSIONS	MATERIAL NO. SEE TABLE DOCUMENT NO. SDA-70400-0526-0549	THIS DRAWING CONTAINS INFORMATION THAT IS PROPRIETARY TO MOLEX INCORPORATED AND SHOULD NOT BE USED WITHOUT WRITTEN PERMISSION	