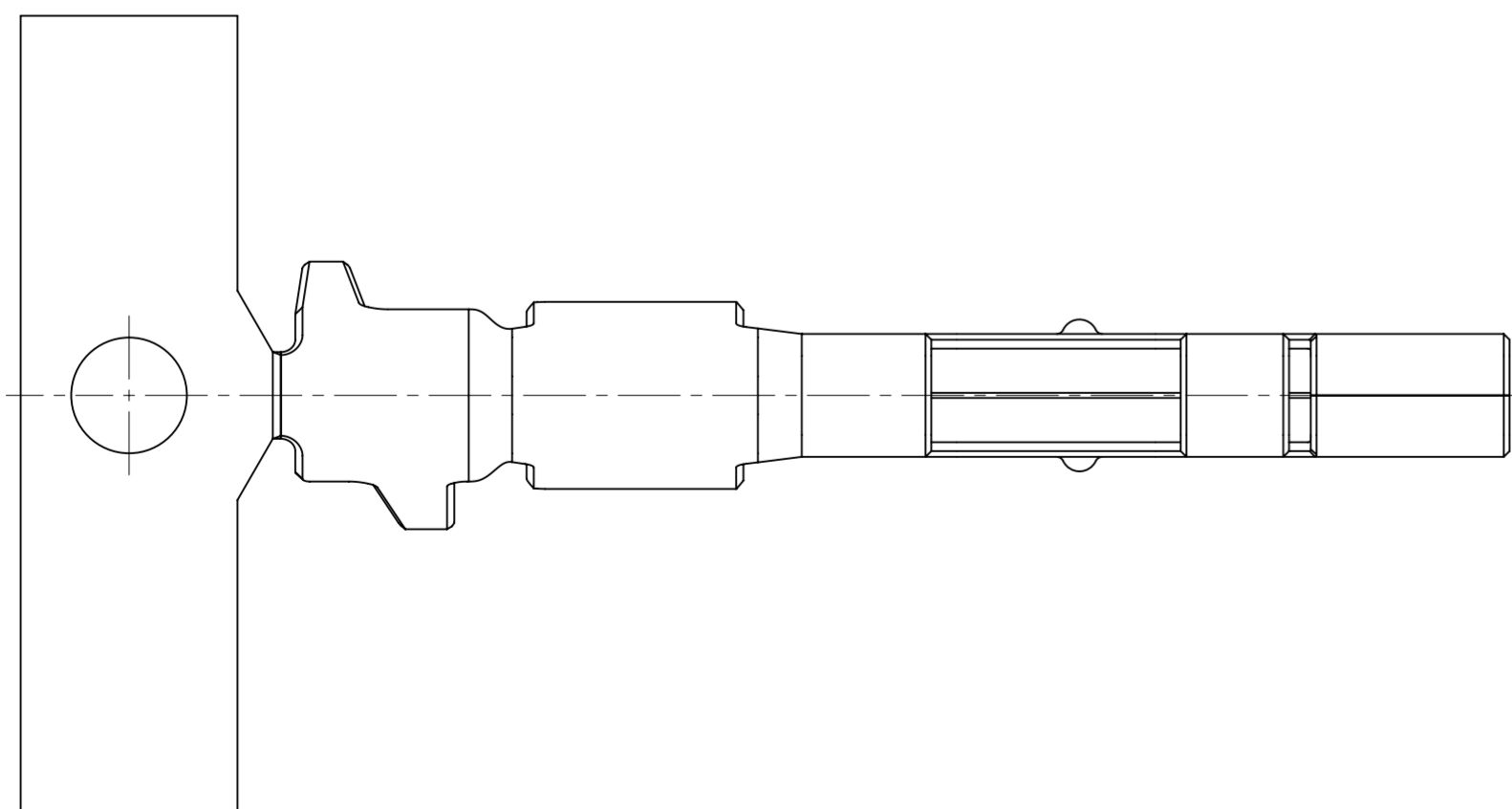
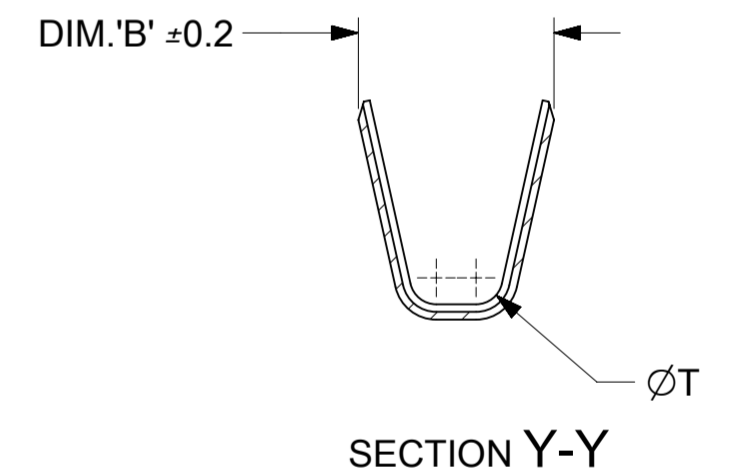
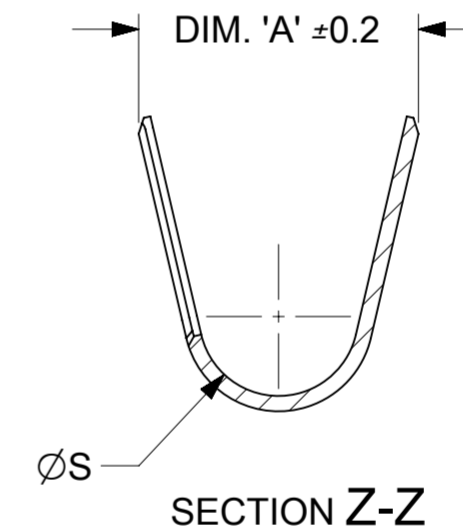
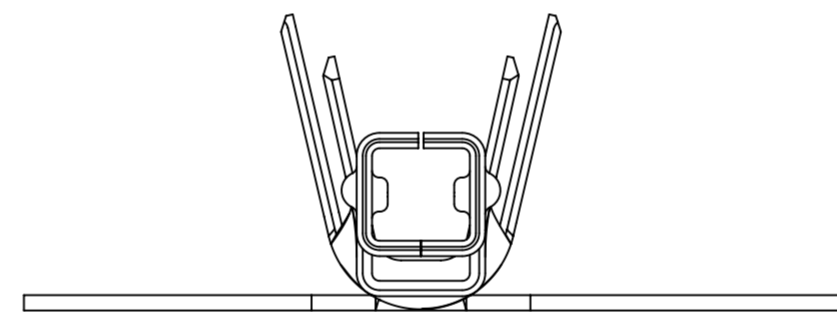
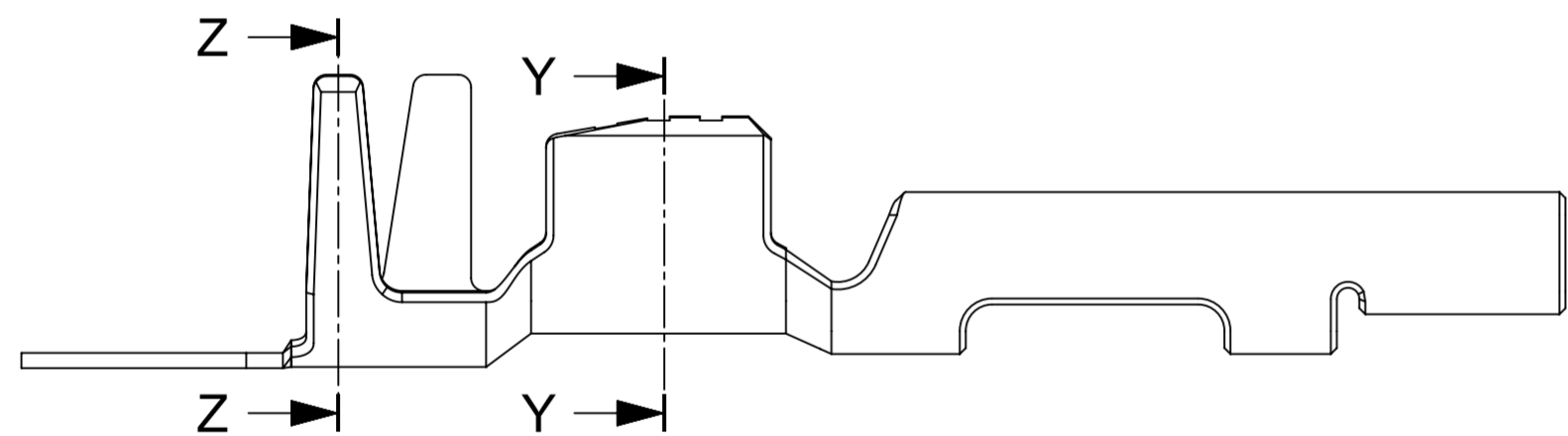


NOTES:

1. MATERIAL: COPPER ALLOY
2. PLATING: 100µin MIN. OVERALL MATTE TIN OVER
50µin MIN. OVERALL MATTE NICKEL.
3. PRODUCT SPECIFICATION: 2077760000-PS
4. APPLICATION SPECIFICATION: 207776000-AS
5. PACKAGING SPEC: REEL PACK PER: 2077770000-PK
6. THIS CRIMP TERMINAL TO BE USED WITH ASSEMBLY
SERIES 207782
7. THIS CRIMP TERMINAL MATES WITH PLUG CRIMP
TERMINAL SERIES,
a. 2077770001 MATES WITH 2077760001
b. 2077770002 MATES WITH 2077760002
8. THIS PART CONFORMS TO CLASS 'B' REQUIREMENTS OF
COSMETIC SPEC PS-45499-002
9. WIRE SPECIFICATION: SEE CHART
10. CRIMP TOOLING:
APPLICATOR PART NUMBER: REFER 2077760000-AS
HAND TOOL PART NUMBER: REFER 2077760000-AS



TERMINAL PART NO.	WIRE AWG	INSULATION DIA	A	B	S	T
2077770001	16AWG	1.9 - 2.4	3.7	2.6	2.1	0.7
2077770002	18-20AWG	1.46 - 2.1	2.7	2.0	1.6	0.6

THIS DRAWING CONTAINS INFORMATION THAT IS PROPRIETARY TO MOLEX ELECTRONIC TECHNOLOGIES, LLC AND SHOULD NOT BE USED WITHOUT WRITTEN PERMISSION

DIMENSION UNITS mm	SCALE 10:1	CURRENT REV DESC: NEW RELEASE				molex		
GENERAL TOLERANCES (UNLESS SPECIFIED)		EC NO: 619695		2019/01/31				
ANGULAR TOL	± °	DRWN: MUM		2019/07/03		PRODUCT CUSTOMER DRAWING		
4 PLACES	±	CHK'D: NCSR		2019/07/03				
3 PLACES	±	APPR: NCSR		2019/07/03		DOC TYPE	DOC PART	REVISION
2 PLACES	±	INITIAL REVISION:		2019/01/31		PSD	000	A
1 PLACE	± 0.2	DRWN: MUM		2019/07/03		MATERIAL NUMBER SEE TABLE		
0 PLACES	±	APPR: NCSR		2019/07/03		CUSTOMER GENERAL MARKET		
DRAFT WHERE APPLICABLE MUST REMAIN WITHIN DIMENSIONS	THIRD ANGLE PROJECTION	DRAWING A2-SIZE	SERIES 207777	SHEET NUMBER 1 OF 1				