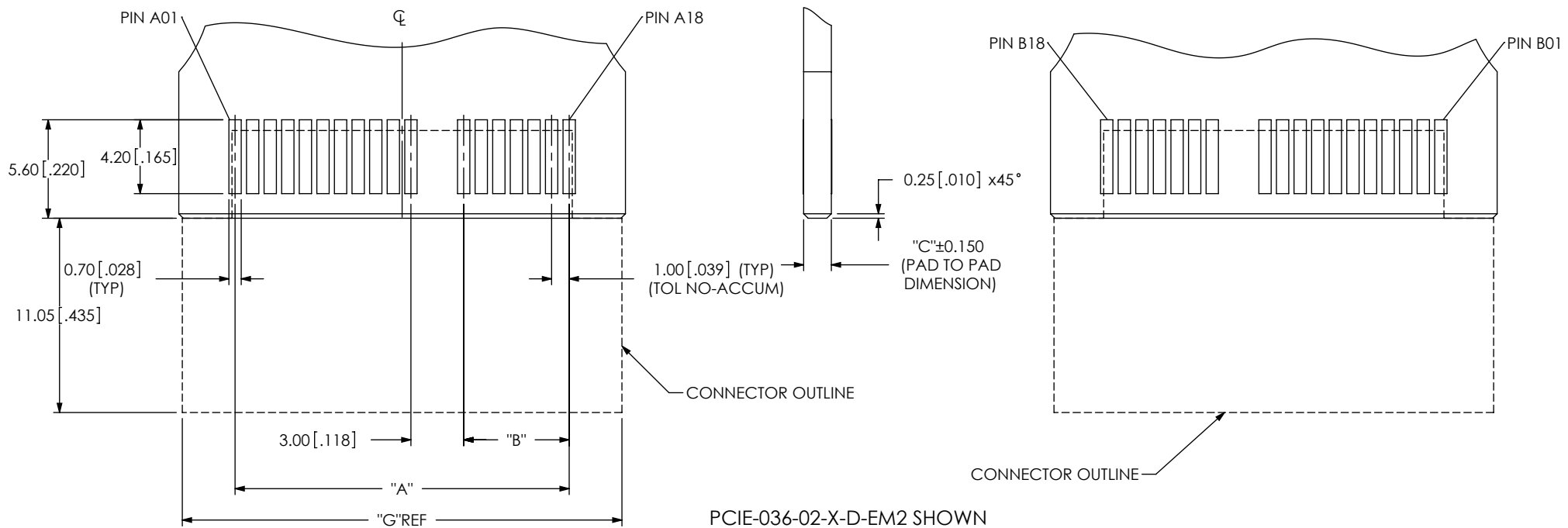


DESIGNED & DIMENSIONED
IN MILLIMETERS[INCHES]

TABLE 1			
No OF POS	"A"	"B"	"G"
-036	19.00 [0.748]	6.00 [0.236]	25.00 [0.984]
-064	33.00 [1.299]	20.00 [0.787]	39.00 [1.535]
-098	50.00 [1.969]	37.00 [1.457]	56.00 [2.205]
-164	83.00 [3.268]	70.00 [2.756]	89.00 [3.504]



PCIE-036-02-X-D-EM2 SHOWN

TABLE 2	
OPTION	"C"
-EM2	1.57 [0.062]
-EM3	2.36 [0.093]

NOTES:

1. ALL DIMENSIONS ARE SYMMETRIC ABOUT THE CENTERLINE.
2. PCIE SPECIFICATION TO SUPERCEDE SAMTEC RECOMMENDED FOOTPRINT.

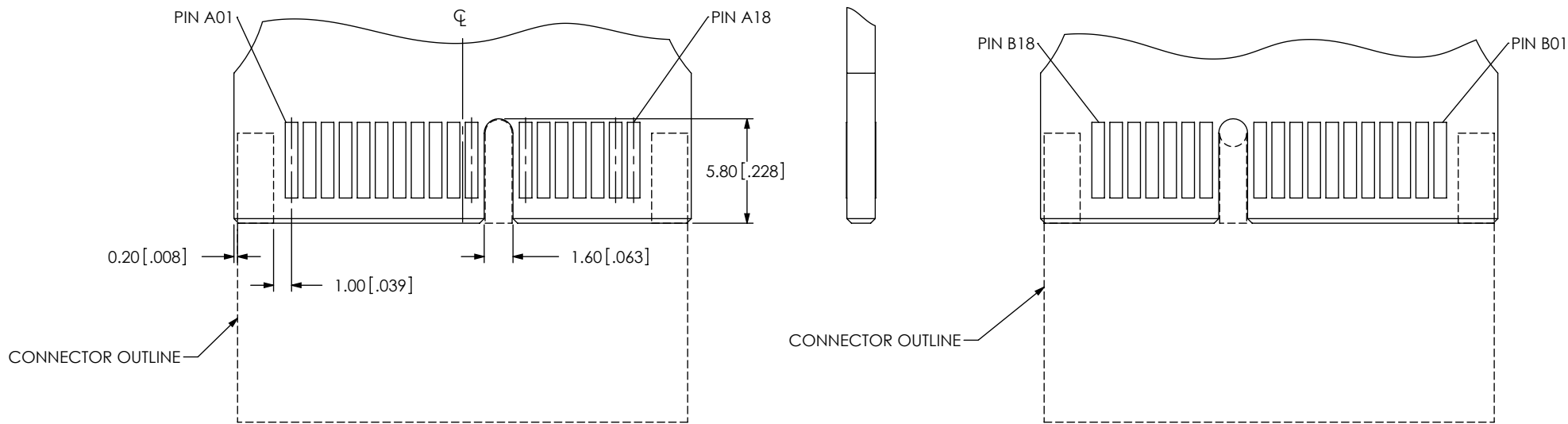
PROPRIETARY NOTE

THIS DOCUMENT CONTAINS INFORMATION CONFIDENTIAL AND PROPRIETARY TO SAMTEC, INC. AND SHALL NOT BE REPRODUCED OR TRANSFERRED TO OTHER DOCUMENTS OR DISCLOSED TO OTHERS OR USED FOR ANY PURPOSE OTHER THAN THAT WHICH IT WAS OBTAINED WITHOUT THE EXPRESSED WRITTEN CONSENT OF SAMTEC, INC.



520 PARK EAST BLVD, NEW ALBANY, IN 47150
PHONE: 812-944-6733 FAX: 812-948-5047
e-Mail: info@SAMTEC.com code: 55322

DESIGNED & DIMENSIONED
IN MILLIMETERS [INCHES]



PCIE-036-02-X-D-EM2-BG SHOWN
(SAME AS PCIE-036-02-X-D-EM2, EXCEPT AS SHOWN)

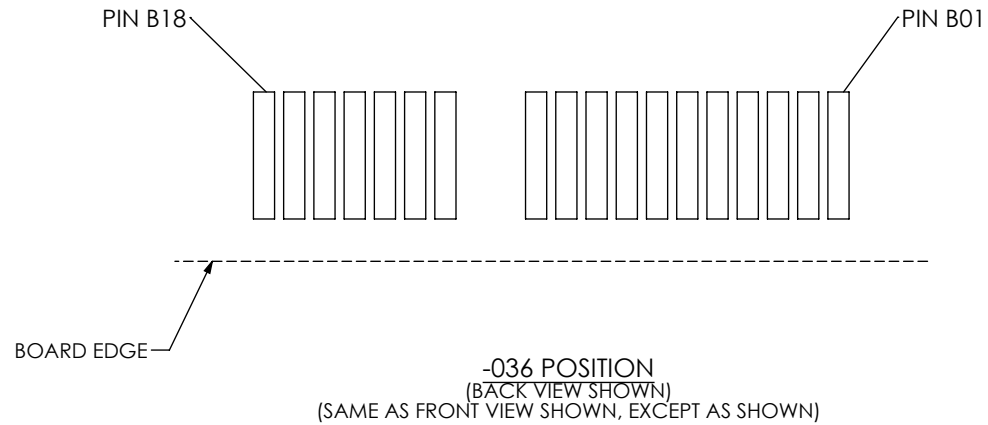
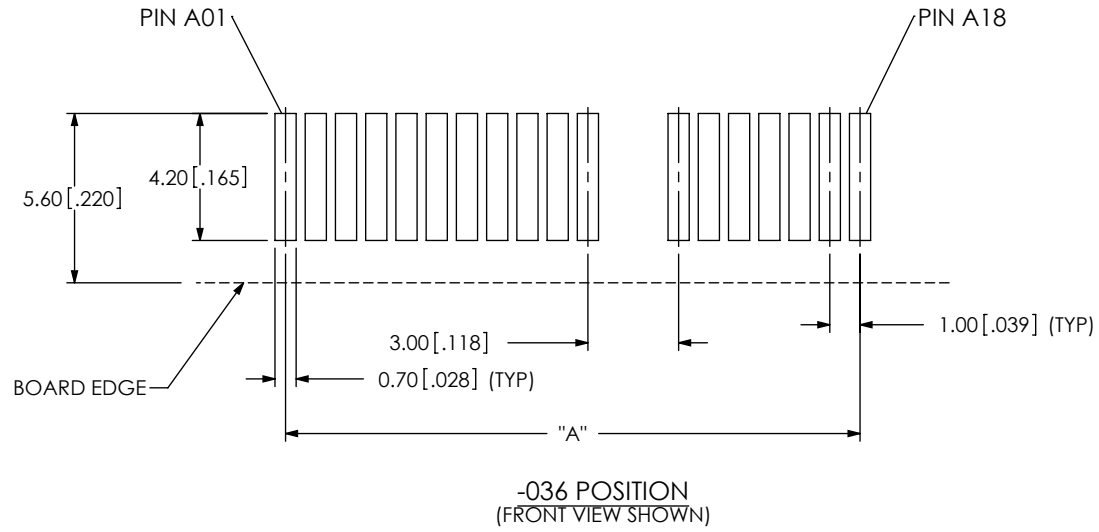
PROPRIETARY NOTE
THIS DOCUMENT CONTAINS INFORMATION
CONFIDENTIAL AND PROPRIETARY TO
SAMTEC, INC. AND SHALL NOT BE REPRODUCED
OR TRANSFERRED TO OTHER DOCUMENTS OR
DISCLOSED TO OTHERS OR USED FOR ANY
PURPOSE OTHER THAN THAT WHICH IT WAS
OBTAINED WITHOUT THE EXPRESSED WRITTEN
CONSENT OF SAMTEC, INC.



520 PARK EAST BLVD, NEW ALBANY, IN 47150
PHONE: 812-944-6733 FAX: 812-948-5047
e-Mail: info@SAMTEC.com code: 55322

NOTE:
STENCIL TO BE 0.15[.006] THICK.

**DESIGNED & DIMENSIONED
IN MILLIMETERS[INCHES]**



ALL DIMENSIONS ARE SYMMETRIC ABOUT THE CENTERLINE.

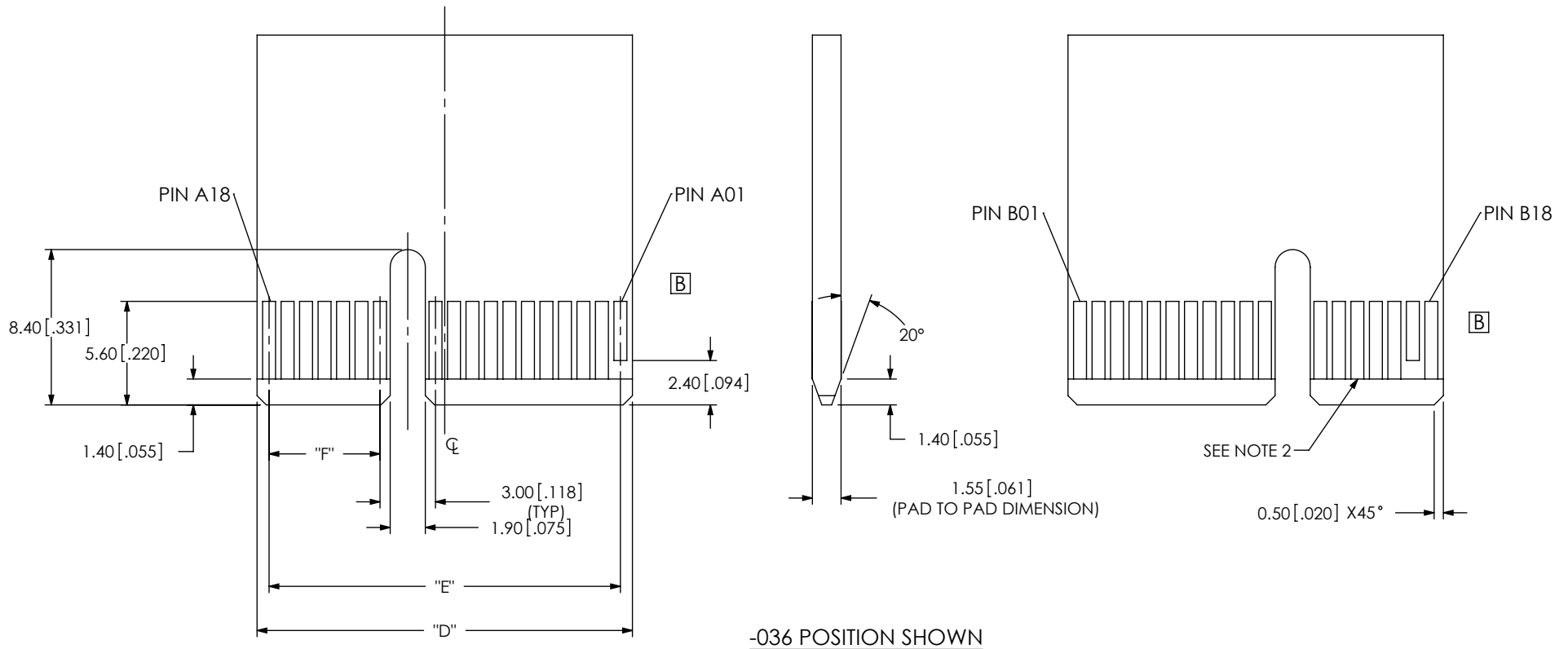
PROPRIETARY NOTE

THIS DOCUMENT CONTAINS INFORMATION
CONFIDENTIAL AND PROPRIETARY TO
SAMTEC, INC. AND SHALL NOT BE REPRODUCED
OR TRANSFERRED TO OTHER DOCUMENTS OR
DISCLOSED TO OTHERS OR USED FOR ANY
PURPOSE OTHER THAN THAT WHICH IT WAS
OBTAINED WITHOUT THE EXPRESSED WRITTEN
CONSENT OF SAMTEC, INC.



520 PARK EAST BLVD, NEW ALBANY, IN 47150
PHONE: 812-944-6733 FAX: 812-948-5047
e-Mail: info@SAMTEC.com code: 55322

DESIGNED & DIMENSIONED
IN MILLIMETERS[INCHES]



-036 POSITION SHOWN

TABLE 3

No OF POS	"D"	"E"	"F"
-036	20.30 [0.799]	19.00 [0.748]	6.00 [0.236]
-064	34.30 [1.350]	33.00 [1.299]	20.00 [0.787]
-098	51.30 [2.020]	50.00 [1.969]	37.00 [1.457]
-164	84.30 [3.319]	83.00 [3.268]	70.00 [2.756]

NOTES:

1. ALL DIMENSIONS ARE SYMMETRIC ABOUT THE CENTERLINE.
2. PLATING TO BE .000030 INCHES GOLD WITH A HARDNESS 130-200 KNOOP PER ASTM B 488 TYPE 2, GRADE C.
3. PCIE SPECIFICATION TO SUPERCEDE SAMTEC LAYOUT.

PROPRIETARY NOTE

THIS DOCUMENT CONTAINS INFORMATION CONFIDENTIAL AND PROPRIETARY TO SAMTEC, INC. AND SHALL NOT BE REPRODUCED OR TRANSFERRED TO OTHER DOCUMENTS OR DISCLOSED TO OTHERS OR USED FOR ANY PURPOSE OTHER THAN THAT WHICH IT WAS OBTAINED WITHOUT THE EXPRESSED WRITTEN CONSENT OF SAMTEC, INC.



520 PARK EAST BLVD, NEW ALBANY, IN 47150
PHONE: 812-944-6733 FAX: 812-948-5047
e-Mail: info@SAMTEC.com code: 55322