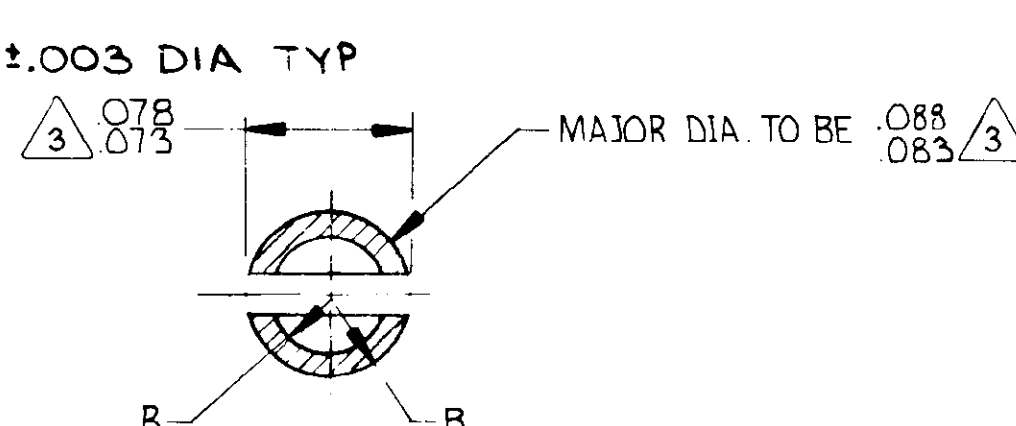
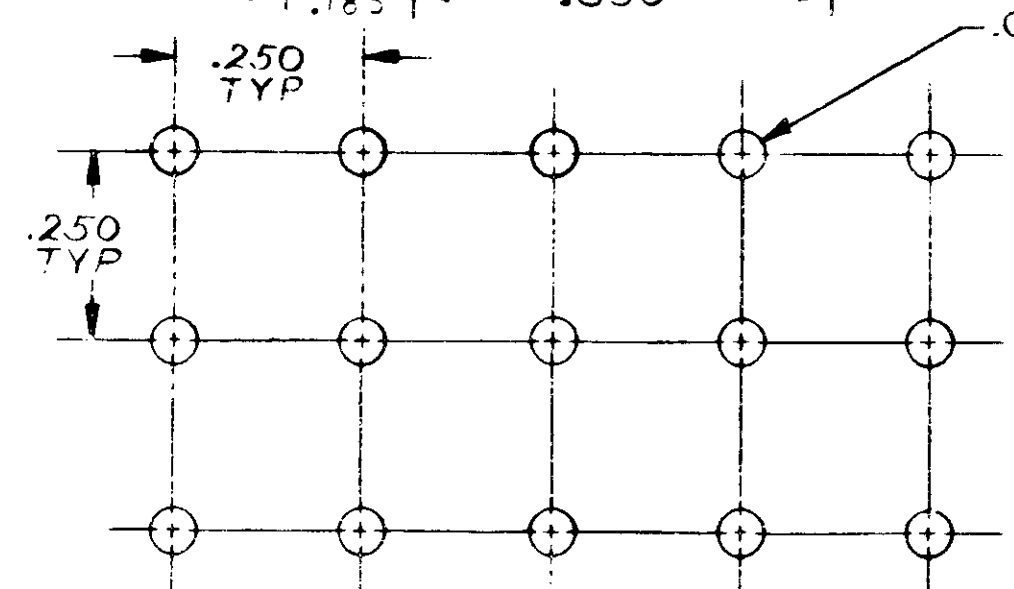
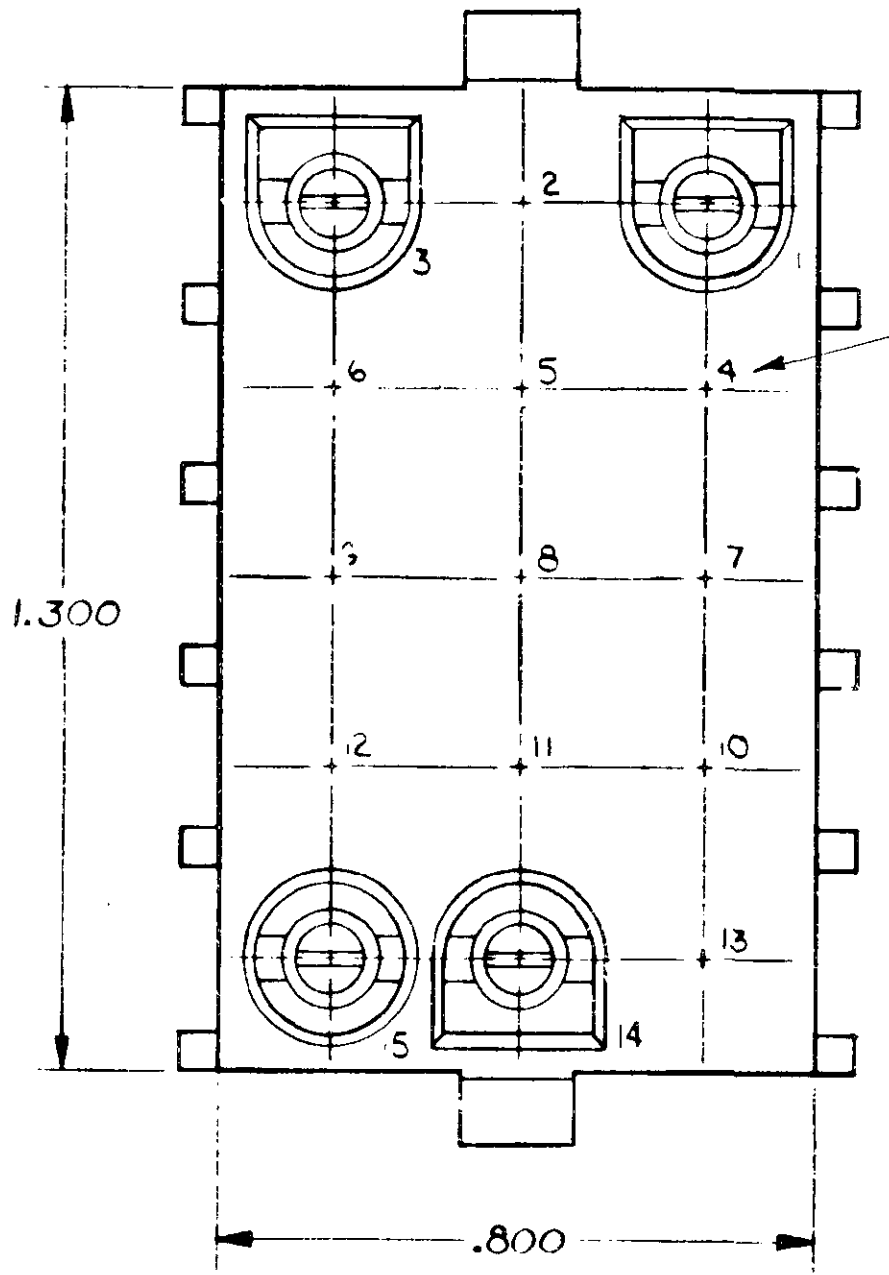
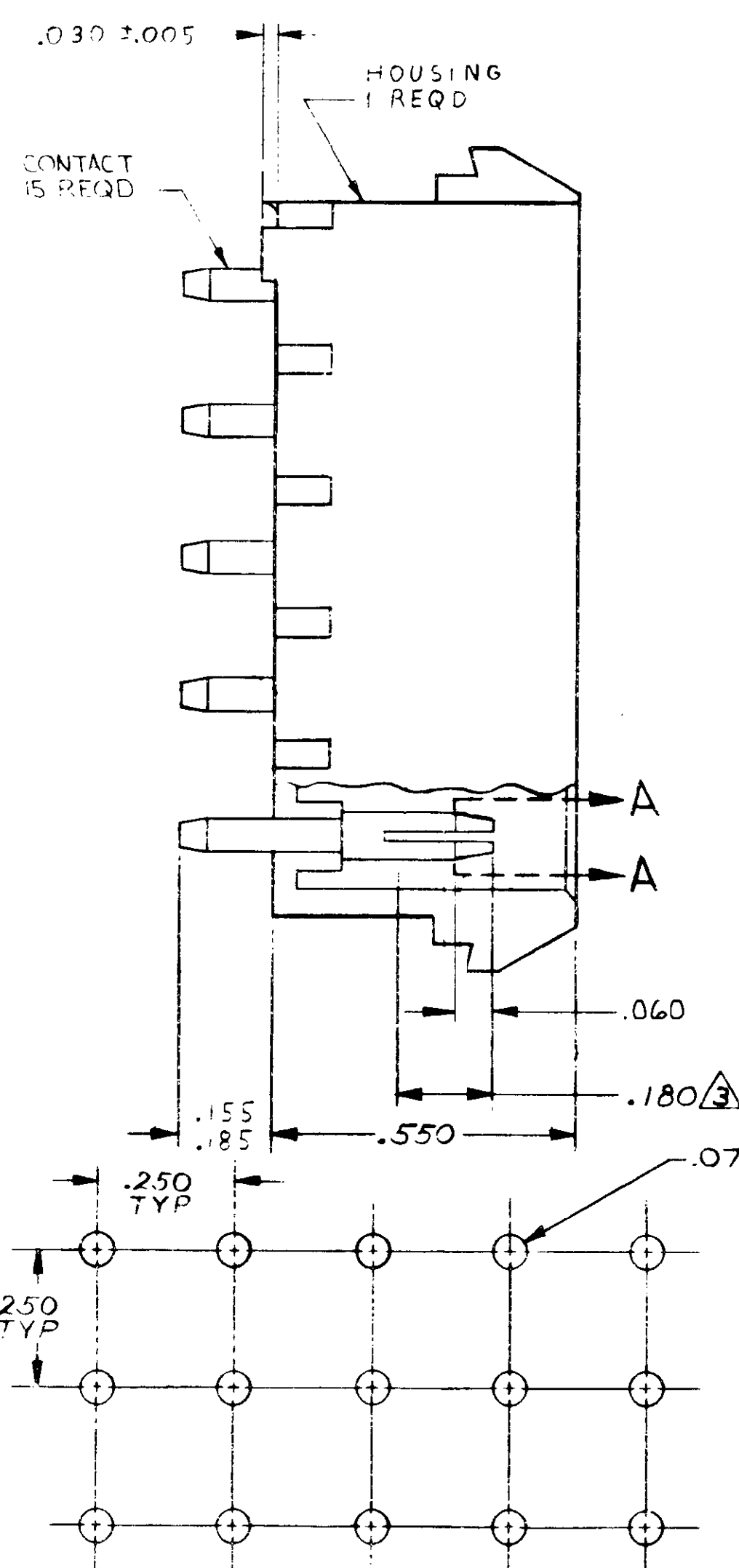


THIS DRAWING IS UNPUBLISHED. RELEASED FOR PUBLICATION. 19  
© COPYRIGHT 19 BY AMP INCORPORATED, HARRISBURG, PA. ALL INTERNATIONAL RIGHTS RESERVED. AMP PRODUCTS MAY BE COVERED BY U.S. AND FOREIGN PATENTS AND/OR PATENTS PENDING.

REVISIONS						
P	F	ZONE	LTR	DESCRIPTION	DATE	APPROVED
✓			W	REV PER EC 0730-0111-95	8-23-95	JH RS



SECTION A-A  
SCALE 10:1

RECOMMENDED LAYOUT FOR  
.062 THICK P.C. BOARD

1. MATES WITH HOUSING 480710.
  2. PARTS COMPLY TO AMP SOLDERABILITY SPEC 109-11-3.
- △** CONTACT IS PLATED OVERALL WITH .000050 NICKEL, THEN .000030 GOLD OVER CONTACT LENGTH INDICATED AND MATTE TIN ON SOLDER TAIL END.
- △** CIRCUIT IDENTIFICATION CHARACTERS ARE ADJACENT TO THE INDICATED CAVITIES, BUT LOCATION AND ORIENTATION MAY DIFFER FROM PRINT.

UNLESS OTHERWISE SPECIFIED DIMENSIONS ARE IN INCHES TOLERANCES ON: DECIMALS   ±.015 ANGLES       ±	CONTRACT NO	<b>AMP</b>   AMP INCORPORATED Harrisburg, Pa. 17105	
	DR <i>J. Hoffman</i> 2-21-83	NAME P.C. BOARD HEADER, 15 CIRCUIT, UNIVERSAL MATE-N-LOK™	
	MATERIAL <b>SEE TABLE</b>	APPD	APPD
FINISH <b>SEE TABLE</b>	DSGN APPD	OTHER APPD	SIZE <b>C</b> FSCM NO <b>00779</b> DRAWING NO <b>350434</b>
	PH. BRZ. PRETIN		- GOLD △    - NATURAL    350434-2
	PIN MATL & FINISH		NYLON - NATURAL    350434-1
	HSG. MATL & COLOR		ASSY NO
SCALE <b>4:1</b>		SHEET	

350434