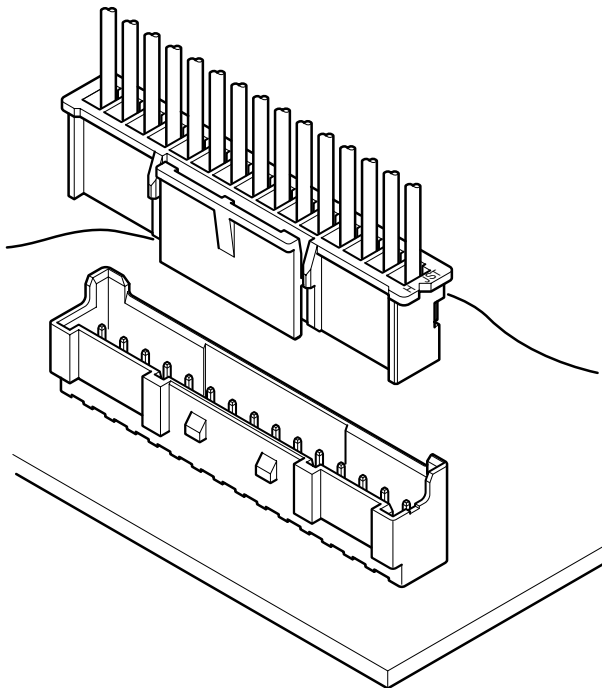


JST

Crimp

2.0mm
(.079") pitch

PA CONNECTOR

Disconnectable Crimp style connectors

Features

• **Locking device**

The housing has a locking device to securely hold the header, preventing accidental disconnection because of external forces that might result from the routing of wires during assembly process or of vibration.

• **Reliable contacts**

The box contact supplies stable contact performance even under conditions of vibration, distortion, low voltage or low current.

• **Low insertion force**

Header pins are reflow-treated, which provides low insertion force.

• **Insertion guide mechanism**

Header has housing insertion guides for easy and secure insertion.

• **Flanged press pin**

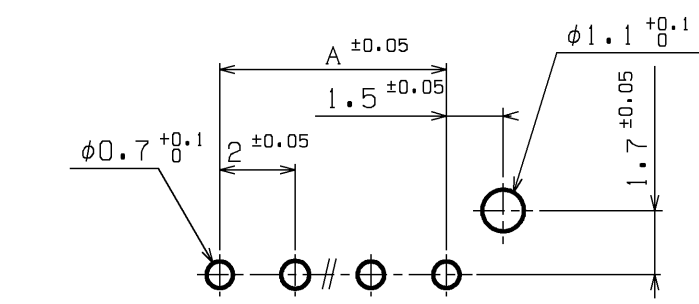
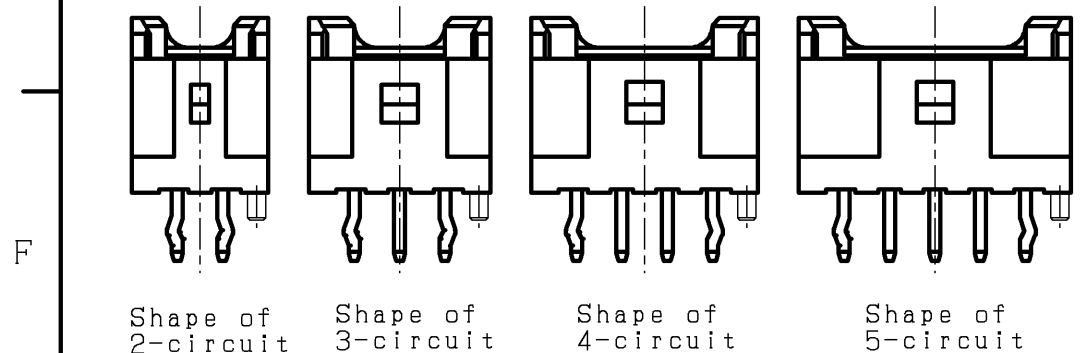
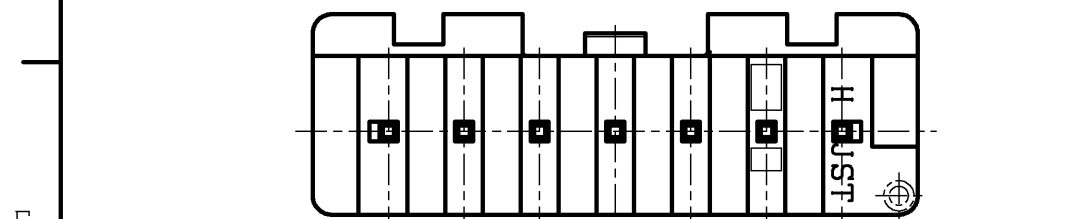
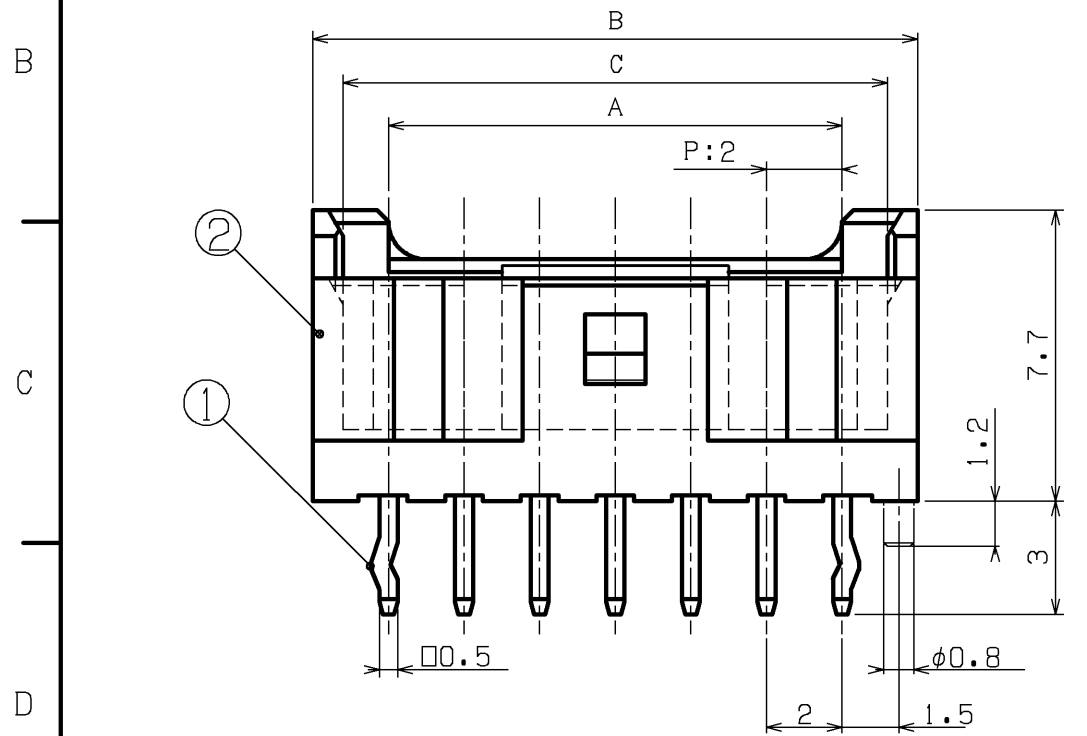
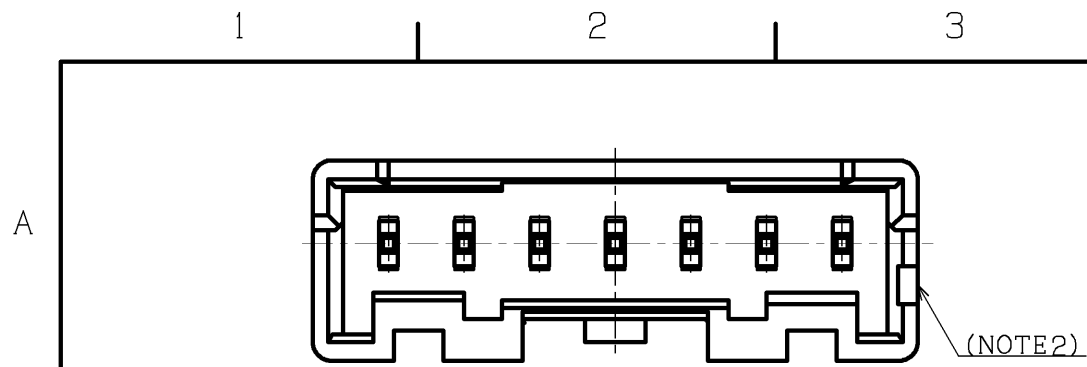
Top entry type header has flanged press pins, preventing accidental removal of the pins that might result from the distorted unmating especially in the case of small no. of circuits.

• **Polarizing boss**

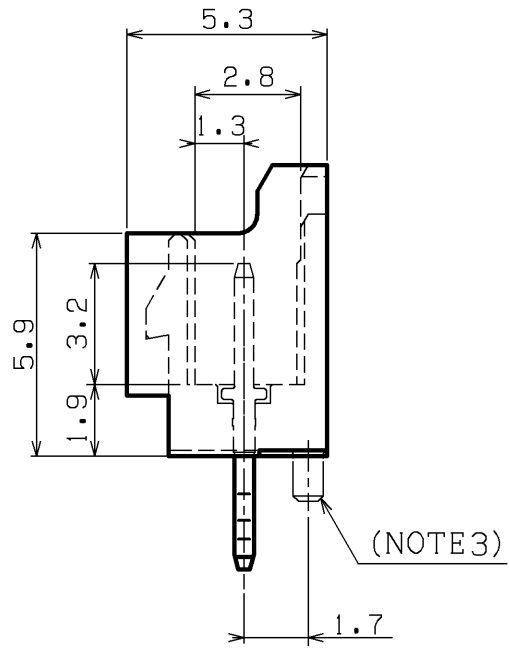
Top entry type headers with polarizing bosses are also available.

Specifications

- Current rating: 3A AC, DC (AWG#22)
 - Voltage rating: 250V AC, DC
 - Temperature range: -25°C to +85°C
(including temperature rise in applying electrical current)
 - Relative humidity: 0 to 80%
 - Contact resistance: Initial value/10m Ω max.
After environmental testing/20m Ω max.
 - Insulation resistance: 1,000M Ω min.
 - Withstanding voltage: 800V AC/minute
 - Applicable wire: AWG #28 to #22
 - Applicable PC board thickness: 1.6mm(.063")
- * Contact JST for details.



Recommendable P.C.Board hole layout
(Connector mounted side)



REV.	DESCRIPTION	DATE	DESIGNED
△			

- NOTE
- Unless otherwise specified, tolerances are $0 < L \leq 5.0: \pm 0.3$
 $5.0 < L: \pm 0.4$
 - No.1 circuit
 - Part No. without boss: B()B-PA()K (LF) (SN)
Part No. with boss : B()B-PA()K-1 (LF) (SN)

Color	Part No.
Natural (White)	B()B-PASK-() (LF) (SN)
Black	B()B-PAKK-() (LF) (SN)
Blue	B()B-PAEK-() (LF) (SN)
Green	B()B-PAMK-() (LF) (SN)
Orange	B()B-PAOK-() (LF) (SN)
Lemon yellow	B()B-PALK-() (LF) (SN)
Tomato red	B()B-PATRK-() (LF) (SN)
Red	B()B-PARK-() (LF) (SN)

Cir- cuits	Dimensions		
	A	B	C
2	2.0	6.0	4.4
3	4.0	8.0	6.4
4	6.0	10.0	8.4
5	8.0	12.0	10.4
6	10.0	14.0	12.4
7	12.0	16.0	14.4
8	14.0	18.0	16.4
9	16.0	20.0	18.4

2	WAFER	PBT (G.F.)	UL94V-0		
1	POST	COPPER ALLOY	COPPER-UNDERPLATED TIN-PLATED		
No.	PART NAME	MATERIAL	SURFACE FINISH	REMARKS	
SIZE	UNIT	SCALE	PROJECTION	DATE	CUSTOMER
A3	METRIC	5:1		DEC.21.2004	
APPROVED	CHECKED	DESIGNED	DRAWN	SERIES NAME	PA CONNECTOR (2~9 circuits)
S.K		E.N	N.H	PART No.	
JST J.S.T.MFG.CO., LTD.				DRAWING No.	
					RO

THIS DRAWING CONTAINS INFORMATION THAT IS PROPRIETARY TO J.S.T. AND SHOULD NOT BE USED WITHOUT WRITTEN PERMISSION.