



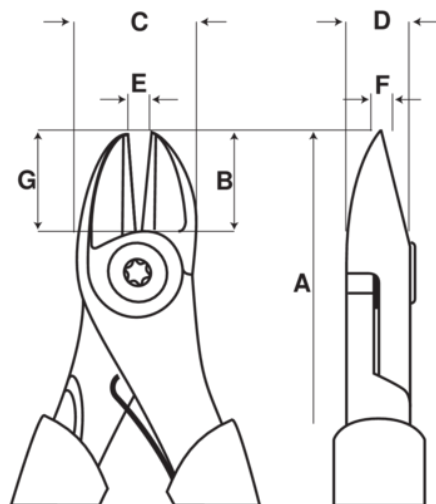
**2101GC**

**ERGO™ Side Cutting Pliers with  
Self Opening Dual-Component  
Handle and Nickel-Chrome Finish**



**PRODUCT DETAILS**





- Two-component ERGO™ handles: thermoplastic surface on tough polypropylene provides superior grip
- Side cutting pliers developed according to the scientific ERGO™ process
- Suitable for cutting Cu, Fe+ and piano wire
- Distance from joint to centre of cutting edges is reduced for greater leverage and increased cutting capacity
- Equipped with a patented return spring featuring an on/off function
- High-performance alloy steel
- Nickel-chrome finish, anti-corrosion treated



**Follow the Fish!**



## PRODUCT ATTRIBUTES

Product	<b>A</b>	<b>B</b>	<b>C</b>	<b>D</b>	<b>E</b>	 Cu	 Fe+	 Piano	 g
<b>2101GC-125IP</b>	125 mm	14.2 mm	17 mm	8 mm	1 mm	3.5 mm	1.8 mm	1.6 mm	90 g
<b>2101GC-140IP</b>	140 mm	16,4 mm	19 mm	8 mm	1,5 mm	3.7 mm	2.0 mm	1.8 mm	120 g
<b>2101GC-160IP</b>	160 mm	18,1 mm	21 mm	9 mm	2 mm	3.8 mm	2.5 mm	2.0 mm	170 g
<b>2101GC-180IP</b>	180 mm	20 mm	23 mm	10 mm	2 mm	4.0 mm	2.7 mm	2.3 mm	230 g

Follow the Fish!

