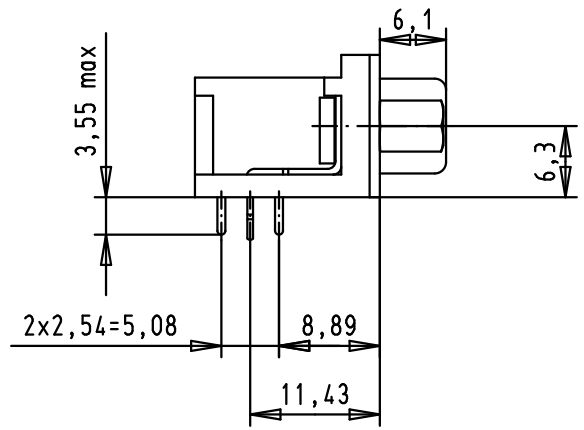
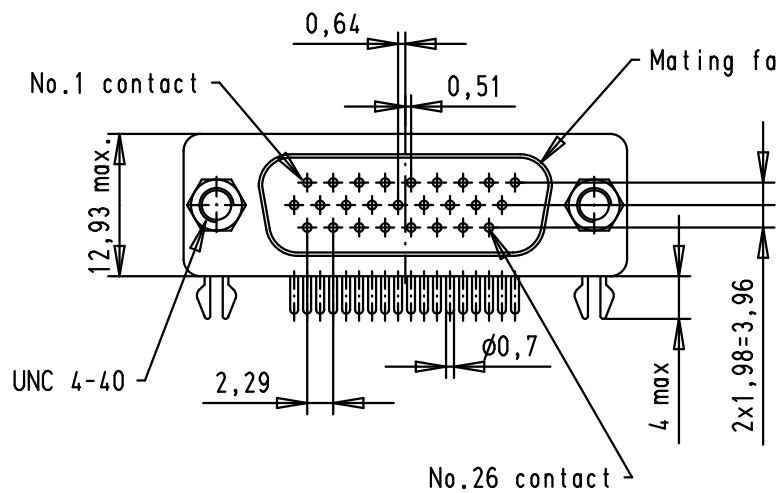
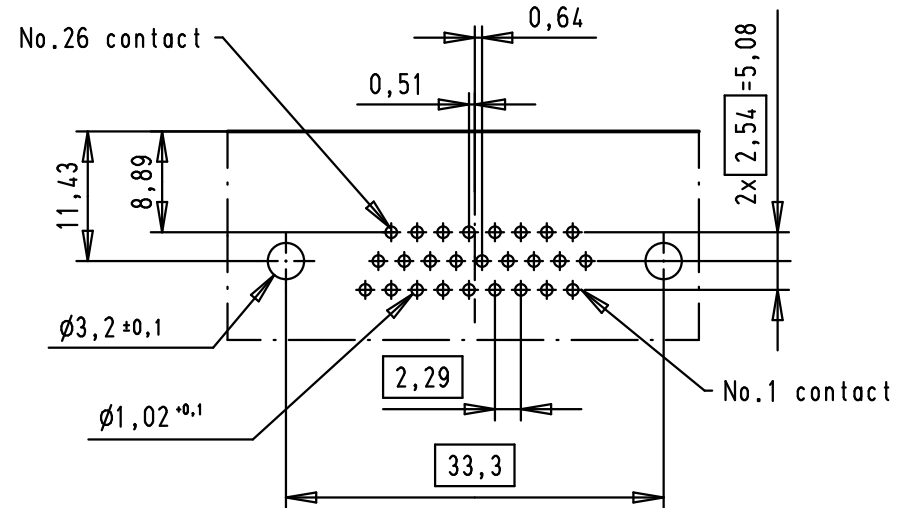
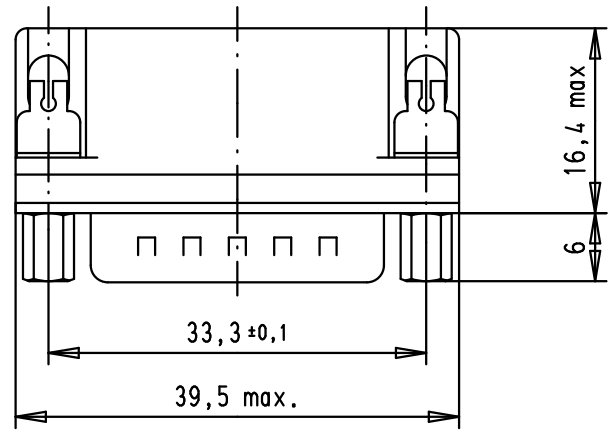




5 4 3 2 1



Printed board layout, component side  
PCB thickness 1,6mm



A									 All Dim. in mm Orig. Size DIN A 4	Dsub, 26 poles, male, angled solder pins, screw locks, board locks, shell with dimples	Maßstab/ Scale  1.5:1		
			36181	11/10/10	BH	Detail.	16-SEP-02	CV					
			EC2035	07/07/10	SC	Insp.							
			31485	16-04-03	S.H.	Stand.							
			31352	16-OCT-02	S.H.								
	09562625813	S4			HARTING EURL F-95972 Paris				TB 09 56 262 x813	Blatt/ Page 1 / 1			
	09562627813	PL3											
	Part number	Performance level											
			Mod.	Dat.	Name								