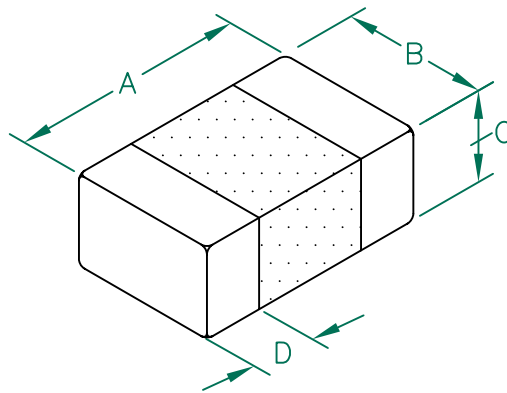


LI0805H121R-10

UNCONTROLLED DOCUMENT

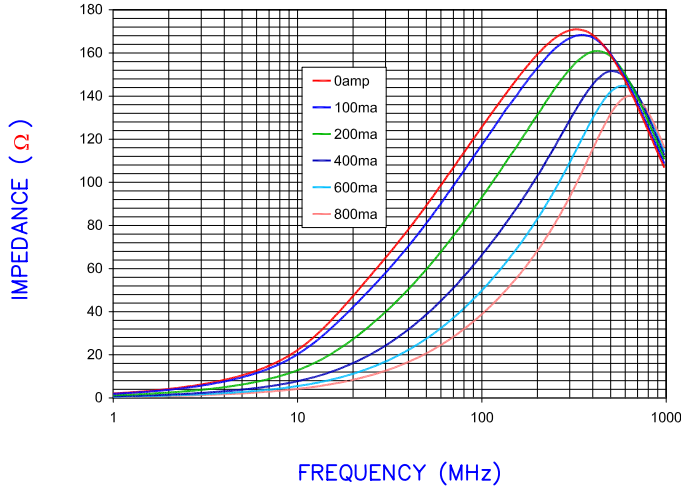
PHYSICAL DIMENSIONS:

A	2.00 [.079]	+ 0.20 [.008]	- 0.20 [.008]
B	1.25 [.049]	+ 0.20 [.008]	- 0.20 [.008]
C	0.90 [.035]	+ 0.20 [.008]	- 0.20 [.008]
D	0.51 [.020]	+ 0.25 [.010]	- 0.25 [.010]

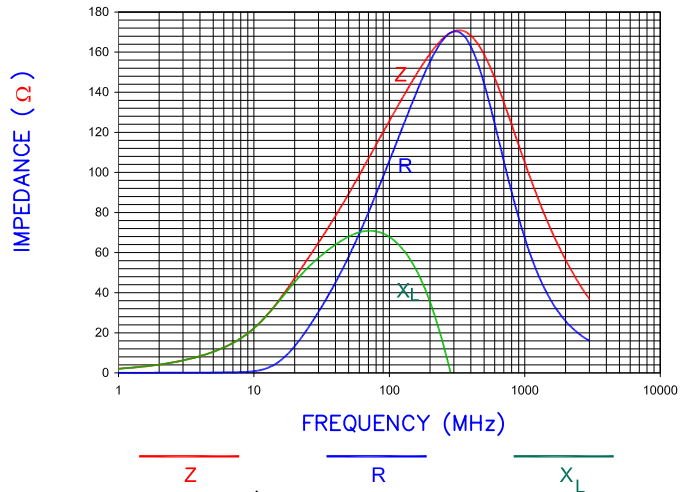


ELECTRICAL CHARACTERISTICS:			
Z @ 100MHz (Ω)	DCR (Ω)	Rated Current	
Nominal	120		
Minimum	90		
Maximum	150	0.15	800 mA

Z vs FREQUENCY
IMPEDANCE UNDER DC BIAS



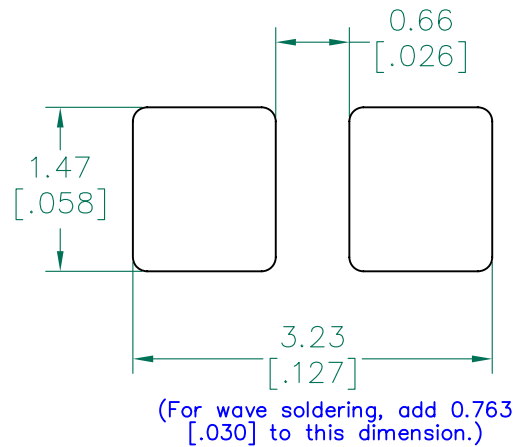
|Z|, R, AND X vs. FREQUENCY



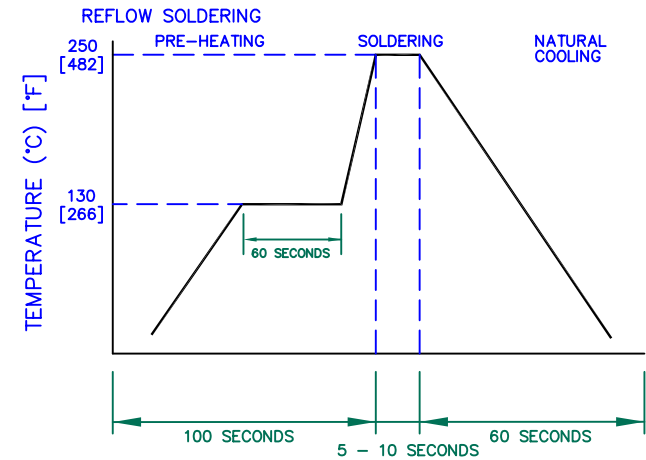
NOTES: UNLESS OTHERWISE SPECIFIED

1. TAPED AND REELED per CURRENT EIA SPECIFICATIONS 7" REELS, 4000 PCS/REEL, PAPER TAPE.
2. TERMINATION FINISH IS 100% TIN.
3. COMPONENTS SHOULD BE ADEQUATELY PREHEATED BEFORE SOLDERING.

LAND PATTERNS FOR REFLOW SOLDERING



RECOMMENDED SOLDERING CONDITIONS



DIMENSIONS ARE IN mm [INCHES].

This print is the property of Laird Tech. and is loaned in confidence subject to return upon request and with the understanding that no copies shall be made without the written consent of Laird Tech. All rights to design or invention are reserved.



REV	DESCRIPTION	DATE	INT	PROJECT/PART NUMBER:	REV	PART TYPE:	DRAWN BY:		
D	CHANGE TO PAPER TAPE	03/04/10	JUN	LI0805H121R-10	D	CO-FIRE	JRK		
C	UPDATE COMPANY LOGO ADD ROHS SYM	07/21/08	JRK						
B	ADD DC BIAS CURVE UPDATE ZRX CURVE	04/07/03	JRK						
A	ORIGINAL DRAFT	10/30/02	JRK						
REV	DESCRIPTION	DATE	INT						
				DATE:	10/30/02	SCALE:	NTS	SHEET:	2 of 2
				CAD #	LI0805H121R-10-D	TOOL #	-		