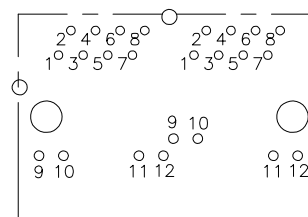
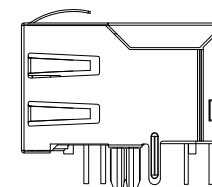
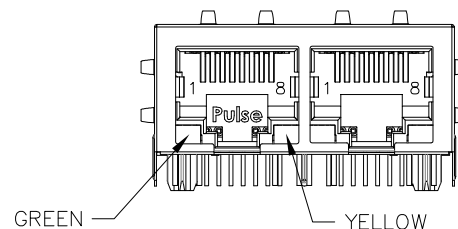
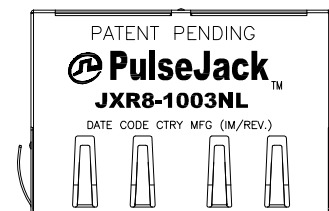




NOTES:

1. ROHS COMPLIANT
2. PLASTIC HOUSING: THERMOPLASTIC MATERIAL WITH FLAMMABILITY RATING UL 94V-0 OR BETTER.
3. CONTACTS PLATING: 15 μINCHES GOLD PLATING.
4. CONTACTS BASE MATERIAL: PHOSPHOR BRONZE
5. UNDER PLATING: 30-50 μINCHES NICKEL
6. SOLDER TAIL PLATING : 150-300 μINCHES 100% TIN, MATTE FINISH.
7. METAL SHIELD: NICKEL PLATING ON COPPER ALLOY.
8. JACK CAVITY CONFORMS TO FCC PART 68 SUBPART.
9. PCB PLATING: HASL
10. STORAGE TEMPERATURE: -50°C TO +125°C
11. COMPLIANCE TO J-STD:
 - A. J-STD-002: SOLDERABILITY AT 245°C DIP AND LOOK TEST
 - B. J-STD-020: LEVEL 1, NO MOISTURE SENSITIVE
 - C. J-STD-075: W2, 270°C MAXIMUM THROUGH WAVE SOLDER
 - D. J-STD-075: R7, 245°C MAXIMUM THROUGH REFLOW SOLDER

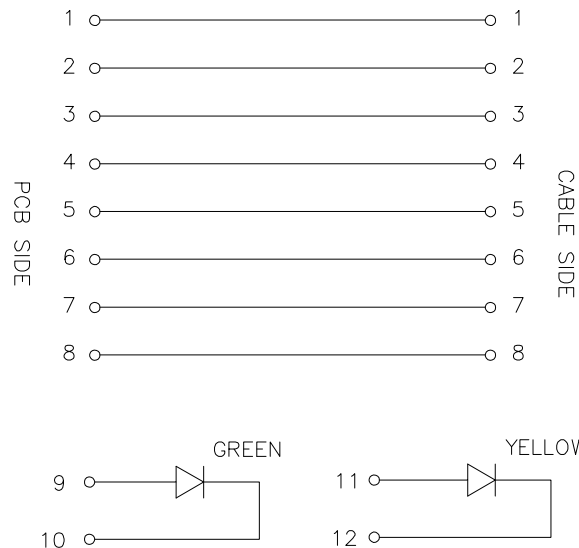


COMPONENT SIDE SHOWN

FINAL OUTLINE

© Copyright, 2017. Pulse Electronics Corp. All rights reserved. Pulse confidential & proprietary. (08/24/17)

PRODUCT DESCRIPTION	TLA DRAWING	PS DRAWING	SHEET	PART NO.	DATASHEET REV.
CONN,RJ45,1X2,TY	JXR8-1003NL-X1	PS-01590.001-01	1 OF 5	JXR8-1003NL	A

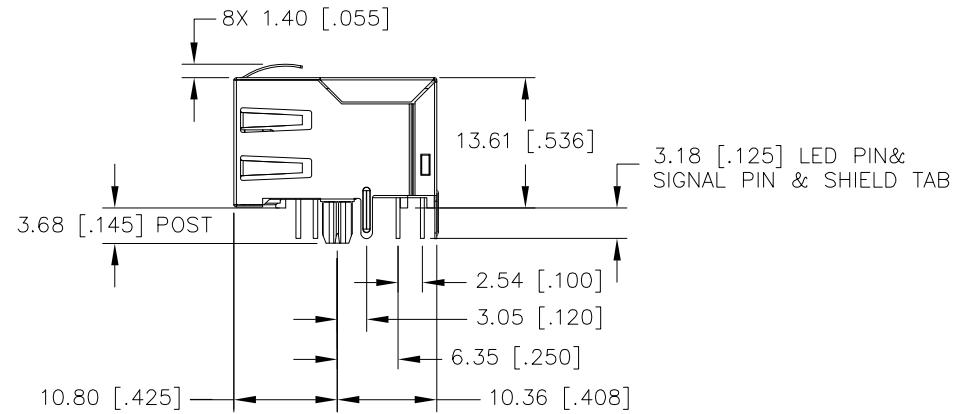
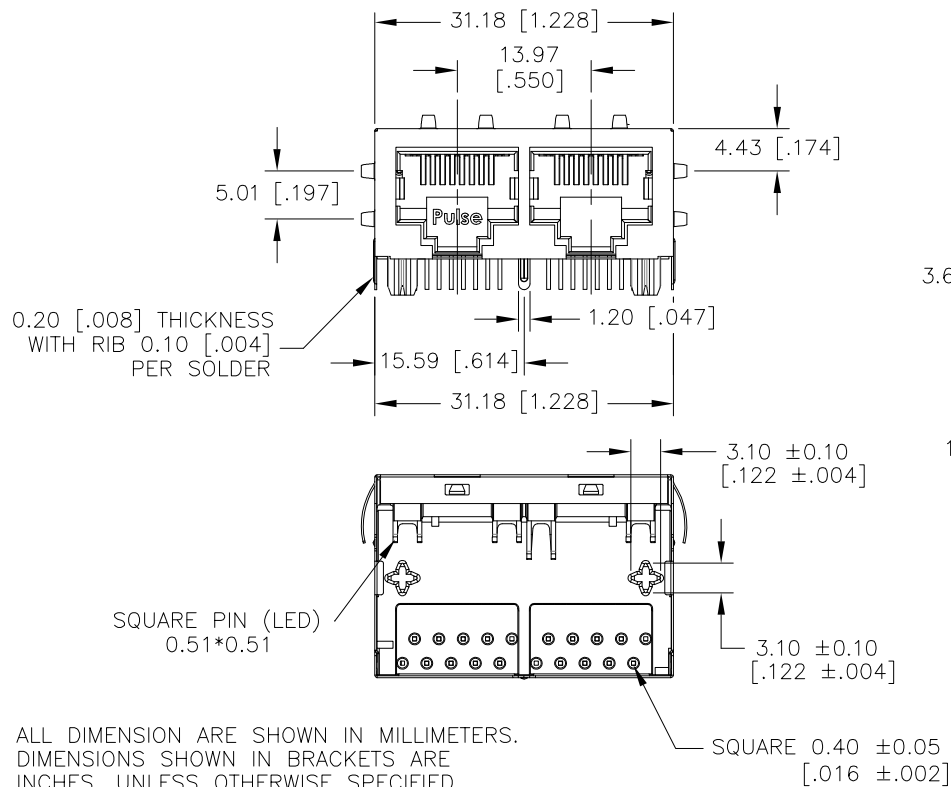
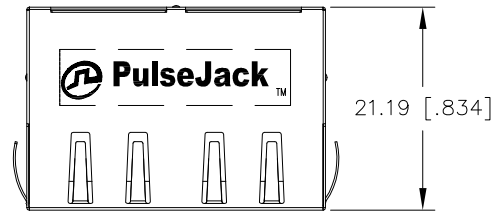


SCHEMATIC

LED SPECIFICATIONS

EMMITTED COLOR	GREEN	YELLOW
WAVELENGTH (nm)	578 nm	590 nm
BRIGHTNESS (mCD)	8 TO 12 TYP. @ 20mA	8 TO 12 TYP. @ 20mA
VIEWING ANGLE	100°	100°
POWER DISSIPATION (Pd)	85 mW MAX	85 mW MAX
DC FORWARD CURRENT	150 mA MAX	150 mA MAX
REVERSE VOLTAGE (Vr)	5.0 V MAX	5.0 V MAX

NOTE: PER VENDOR'S SPECIFICATIONS

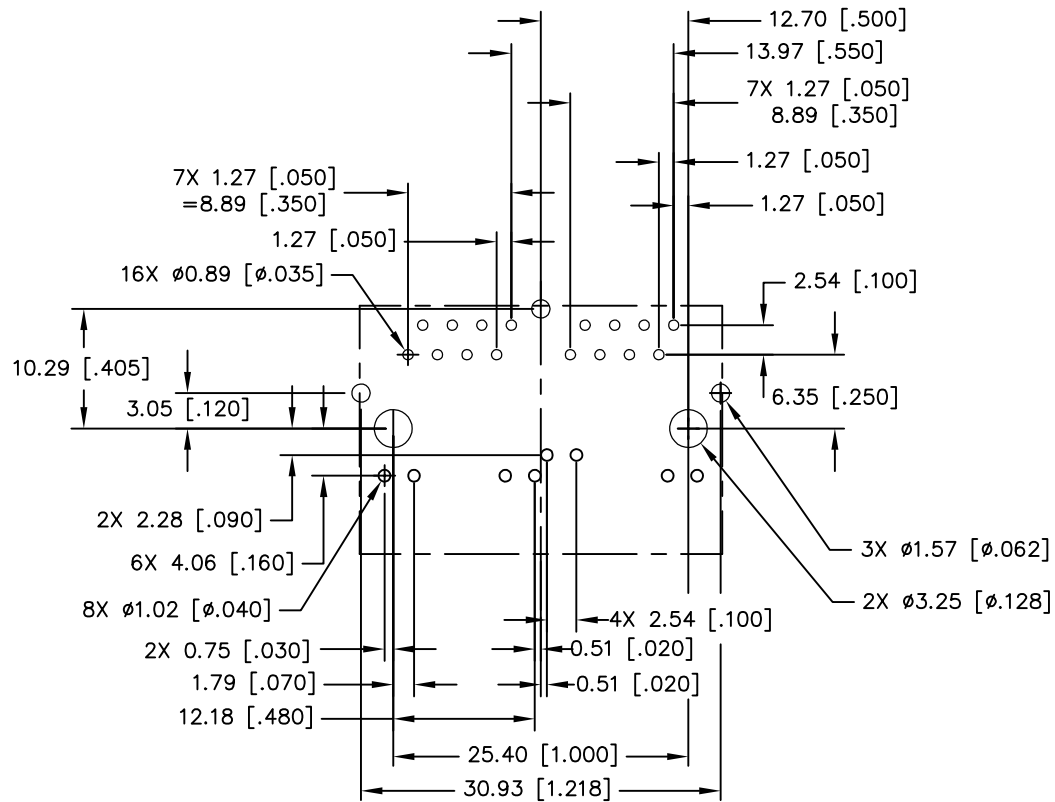


ALL DIMENSION ARE SHOWN IN MILLIMETERS.
DIMENSIONS SHOWN IN BRACKETS ARE INCHES. UNLESS OTHERWISE SPECIFIED, THE FOLLOWING TOLERANCES APPLY:

X.XX [.XXX] = ±0.25 [±.010]

© Copyright, 2017. Pulse Electronics Corp. All rights reserved. Pulse confidential & proprietary. (08/24/17)

PRODUCT DESCRIPTION	TLA DRAWING	PS DRAWING	SHEET	PART NO.	DATASHEET REV.
CONN,RJ45,1X2,TY	JXR8-1003NL-X1	PS-01590.001-01	3 OF 5	JXR8-1003NL	A



ALL DIMENSION ARE SHOWN IN MILLIMETERS.
DIMENSIONS SHOWN IN BRACKETS ARE
INCHES. UNLESS OTHERWISE SPECIFIED,
THE FOLLOWING TOLERANCES APPLY:

X.XX [.XXX] = ± 0.08 [± 0.003]

SUGGESTED FOOTPRINT (COMPONENT SIDE SHOWN)

© Copyright, 2017. Pulse Electronics Corp. All rights reserved. Pulse confidential & proprietary. (08/24/17)

PRODUCT DESCRIPTION
CONN,RJ45,1X2,TY

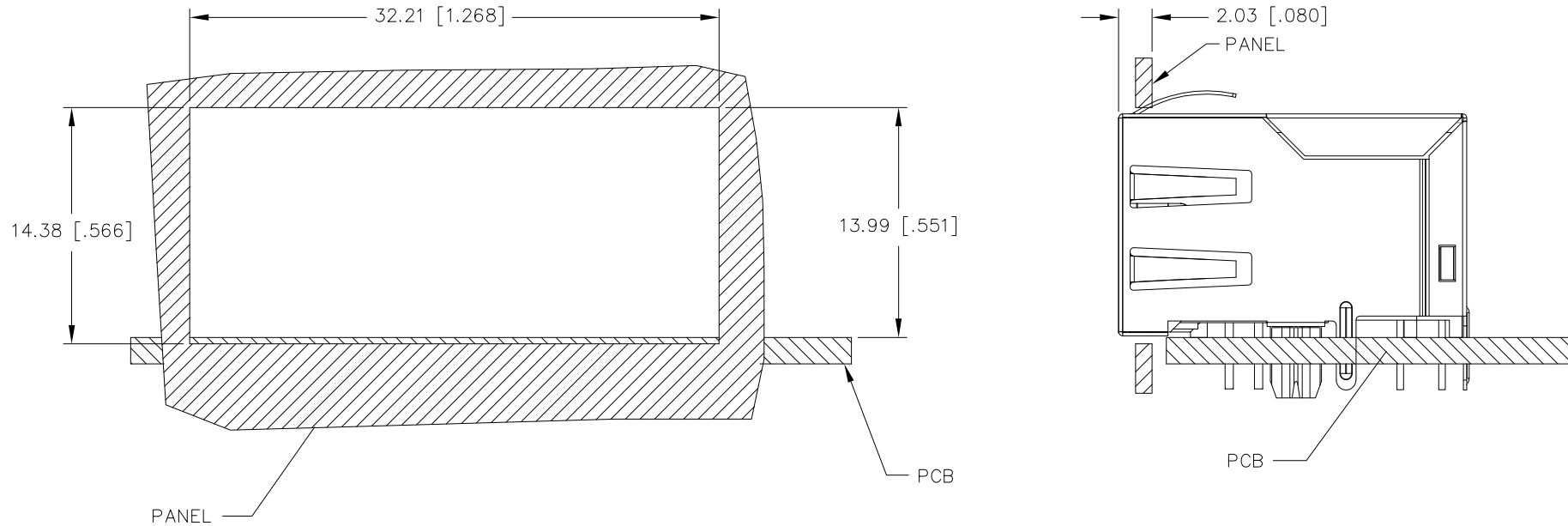
TLA DRAWING
JXR8-1003NL-X1

PS DRAWING
PS-01590.001-01

SHEET
4 OF 5

PART NO.
JXR8-1003NL

DATASHEET REV.
A



SUGGESTED PANEL CUTOUT

ALL DIMENSION ARE SHOWN IN MILLIMETERS.
DIMENSIONS SHOWN IN BRACKETS ARE
INCHES. UNLESS OTHERWISE SPECIFIED,
THE FOLLOWING TOLERANCES APPLY:

X.XX [.XXX] = ± 0.10 [$\pm .004$]

© Copyright, 2017. Pulse Electronics Corp. All rights reserved. Pulse confidential & proprietary. (08/24/17)

PRODUCT DESCRIPTION	TLA DRAWING	PS DRAWING	SHEET	PART NO.	DATASHEET REV.
CONN,RJ45,1X2,TY	JXR8-1003NL-X1	PS-01590.001-01	5 OF 5	JXR8-1003NL	A