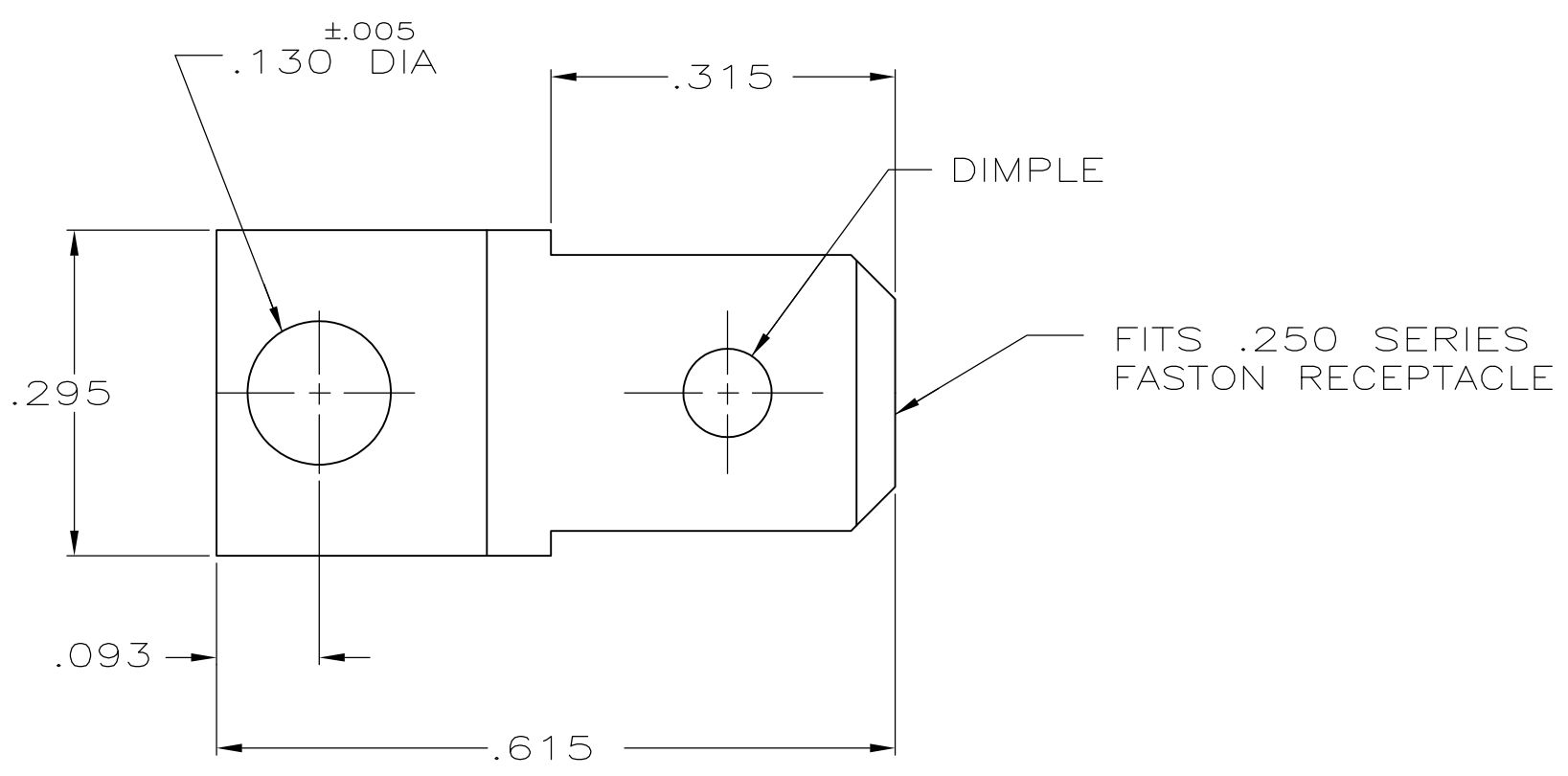
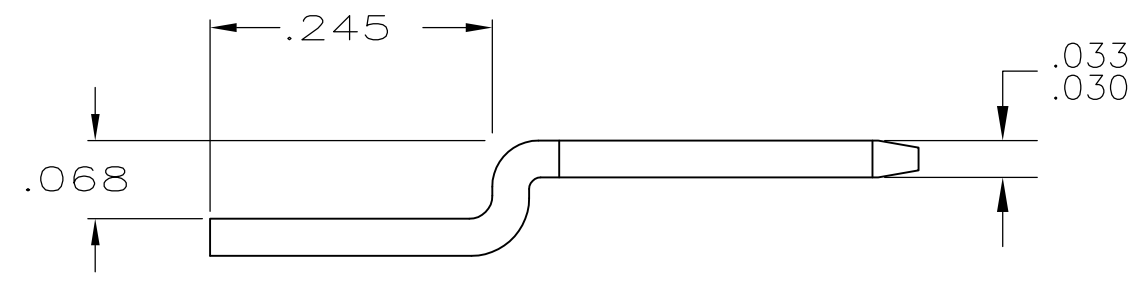


THIS DRAWING IS UNPUBLISHED. RELEASED FOR PUBLICATION  
 © COPYRIGHT - By - ALL RIGHTS RESERVED.


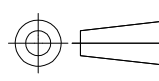
LOC	DIST	REVISIONS					
AF	50	P	LTR	DESCRIPTION	DATE	DWN	APVD
			J	REVISED PER ECR-13-011489	06DEC2013	KH	PD



1 SUPPLIED IN LOOSE PIECE.



42506-2  
PART NO

THIS DRAWING IS A CONTROLLED DOCUMENT.		DWN	JR RUTH	1/25/89	 <b>TE Connectivity</b>								
DIMENSIONS: INCHES		CHK	MS FEHER	1/25/89									
		APVD	C MEYERS	1/25/89									
TOLERANCES UNLESS OTHERWISE SPECIFIED: 0 PLC $\pm -$ 1 PLC $\pm -$ 2 PLC $\pm -$ 3 PLC $\pm .010$ 4 PLC $\pm -$ ANGLES $\pm -$		PRODUCT SPEC	NAME			TAB, FASTON, .250 SERIES							
MATERIAL	BRASS	FINISH	TIN	WEIGHT	-	SIZE	A3	CAGE CODE	00779	DRAWING NO	C-42506	RESTRICTED TO	-
CUSTOMER DRAWING				SCALE	6:1	SHEET	1 OF 1	REV	J				