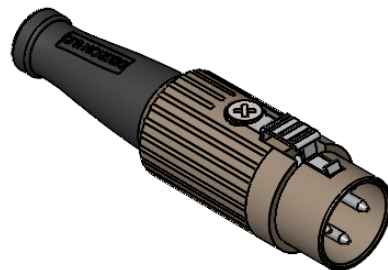
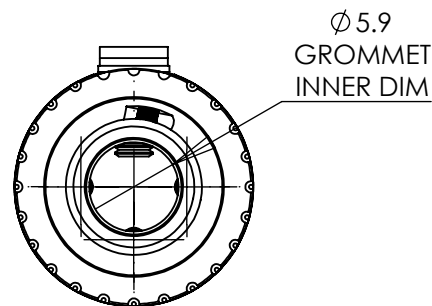
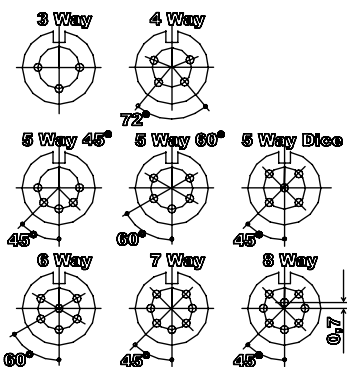
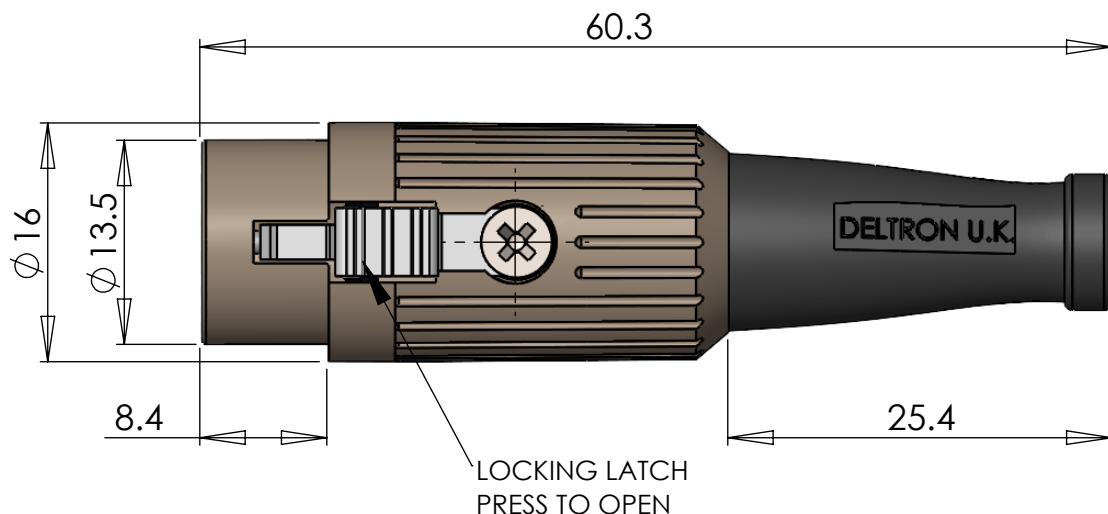


A FULLY SCREENED ROBUST RANGE OF DIN CONNECTORS FOR USE IN INSTRUMENTATION AND AUDIO APPLICATIONS. AVAILABLE IN TWO FINISHES; BRIGHT NICKEL AND BLACK CHROME. ROBUST CONSTRUCTION INCORPORATING CABLE GRIP AND STRAIN RELIEF.

MANUFACTURED TO DIN 41524, 45322, 45326, 45327 AND 45329.



DIMENSIONS



MATERIALS	
HOUSING	MAZAK
HOUSING FINISH	BRIGHT NICKEL PLATED OR BLACK CHROME
MOULDING	NYLON
CONTACTS	BRASS CZ121, SILVER PLATED
CABLE CLAMP	MILD STEEL, SILVER PLATED
GROMMET	BLACK PVC
LOCKING LATCH	SPRING STEEL, NICKEL PLATED
SCREW	MILD STEEL, NICKEL PLATED

ELECTRICAL	
RATED VOLTAGE	34V A/C or D/C
CURRENT RATING	2 AMP
TEST VOLTAGE	500V r.m.s
INSULATION RESISTANCE	103 MΩ MIN AT 100V DC
CONTACT RESISTANCE	10mΩ MAX
CAPACITANCE (MATED)	3 pF

CLIMATIC	
CLIMATIC CATEGORY	25/070/21
TEMPERATURE RANGE	-25°C TO +70°C
DAMP HEAT, STEADY STATE	21 DAYS

RECOMMENDED CABLE SIZE	24-28 AWG
CONDUCTOR SIZE	∅0.75mm - MAX
PIN SOLDER BUCKET	∅ 1mm +0.1mm/-0.0

TYPE	PART NUMBER	
	NICKEL	BLACK
3 WAY	590-0300	591-0300
4 WAY	590-0400	591-0400
5 WAY 45°	590-0500	591-0500
5 WAY 60°	590-0510	591-0510
5 WAY	590-0520	591-0520
6 WAY	590-0600	591-0600
7 WAY	590-0700	591-0700
8 WAY	590-0800	591-0800

+44(0)1724 273200      www.dem-uk.com

**PROPRIETARY AND CONFIDENTIAL:**  
 THE INFORMATION CONTAINED IN THIS DRAWING IS THE SOLE PROPERTY OF ALPHA 3 MANUFACTURING. ANY REPRODUCTION IN PART OR AS A WHOLE WITHOUT THE WRITTEN PERMISSION OF ALPHA 3 MANUFACTURING IS PROHIBITED.

DEM Manufacturing is a division of Alpha 3 Manufacturing LTD  
 DEM Manufacturing, Deltron Emcon House, Hargreaves Way,  
 Sawcliffe Ind. Park, Scunthorpe, North Lincolnshire, DN15 8RF, UK

UNLESS OTHERWISE SPECIFIED DIMENSIONS ARE IN MILLIMETRES  
 LINEAR & RADIAL TOLERANCE:  
**GENERAL SPECIFICATION ONLY**

**IF IN DOUBT ASK! DO NOT SCALE DRAWING!**

FINISH: SEE NOTE  
 MATERIAL: SEE NOTE

THE FINISHED PRODUCT SHOULD BE CLEAN AND FREE FROM ALL LIQUIDS AND DEBRIS. SURFACES SHOULD BE OF UNIFORM APPEARANCE FREE FROM SHARP EDGES, BURRS AND CORROSION

AUTHOR: SB  
 EDITOR: DT  
 APPROVER: DT

THIRD ANGLE PROJECTION

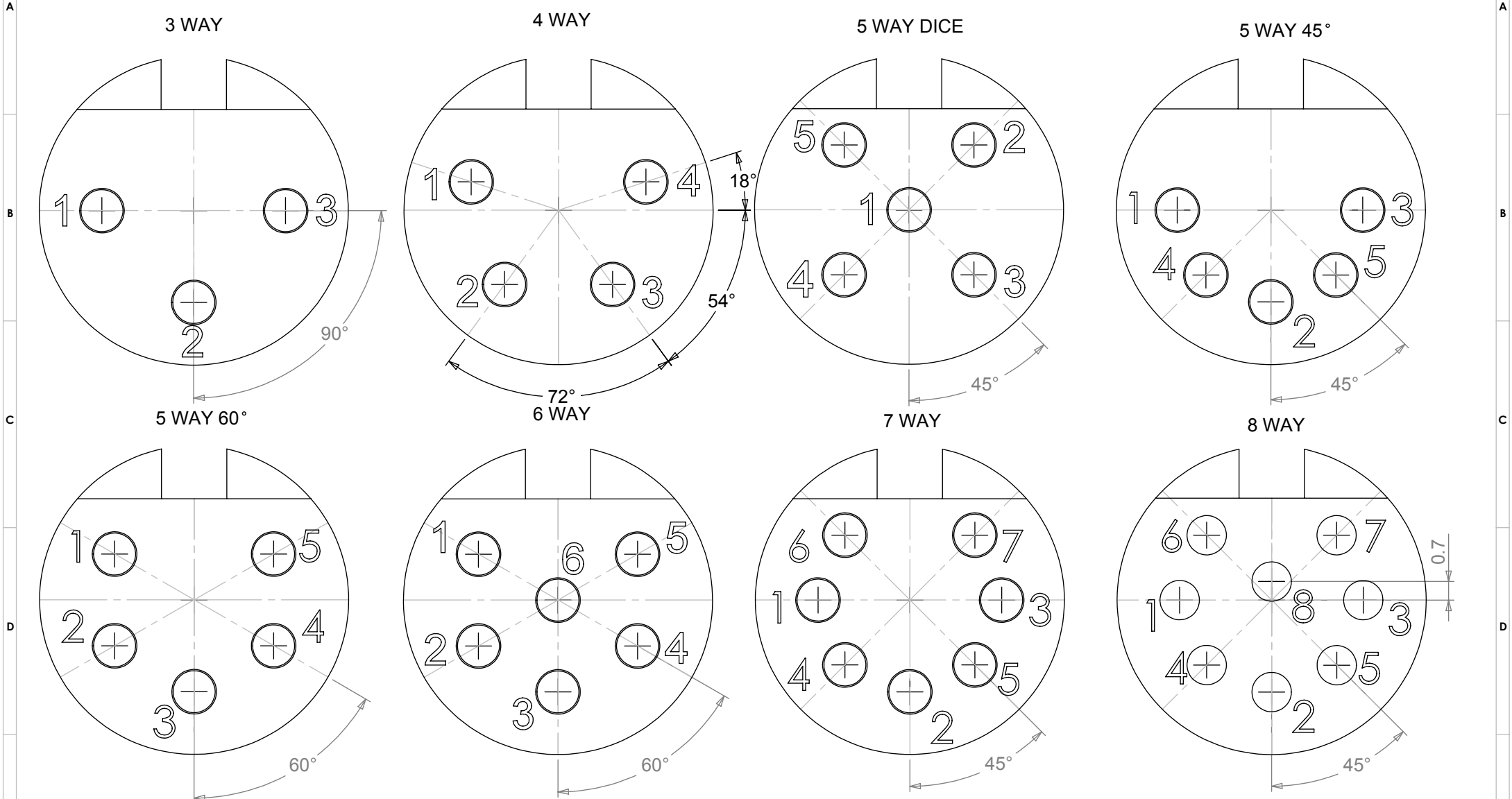
TITLE: GENERAL SPECIFICATION  
 FILE: 590-591 SERIES  
 PART: LATCHING DIN CONNECTORS

SHEET 1 OF 1  
 SCALE 1:1 A4

ISSUE/REV. 008  
 RELEASED

EDIT DATE 17/06/2021  
 RELEASE DATE 17/06/2021

**PIN VARIATIONS USED IN: 590 / 591 / 592 / 600 / 601 / 610 / 611 - DIN PLUG CONNECTORS**



**MANUFACTURED TO DIN STANDARD 41524, 45322, 45326, 45327 AND 45329**

**PROPRIETARY AND CONFIDENTIAL:**  
 THE INFORMATION CONTAINED IN THIS DRAWING IS THE SOLE PROPERTY OF ALPHA 3 MANUFACTURING. ANY REPRODUCTION IN PART OR AS A WHOLE WITHOUT THE WRITTEN PERMISSION OF ALPHA 3 MANUFACTURING IS PROHIBITED.  
 DEM Manufacturing is a division of Alpha 3 Manufacturing LTD  
 DEM Manufacturing, Deltron Emcon House, Hargreaves Way, Sawcliffe Ind. Park, Scunthorpe, North Lincolnshire, DN15 8RF, UK

UNLESS OTHERWISE SPECIFIED DIMENSIONS ARE IN MILLIMETRES  
 LINEAR & RADIAL TOLERANCE:  
**NO DECIMAL PLACES**  
**1 DECIMAL PLACE**  
**2 DECIMAL PLACES**  
**ANGULAR TOLERANCE:**

**IF IN DOUBT ASK! DO NOT SCALE DRAWING!**  
 FINISH: CLEAN  
 MATERIAL: REFER TO INDIVIDUAL RANGES  
 THE FINISHED PRODUCT SHOULD BE CLEAN AND FREE FROM ALL LIQUIDS AND DEBRIS. SURFACES SHOULD BE OF UNIFORM APPEARANCE FREE FROM SHARP EDGES, BURRS AND CORROSION

THIRD ANGLE PROJECTION

AUTHOR	DT	TITLE	PIN ORIENTATIONS	
EDITOR	DT	FILE	DIN PLUG PIN ORIENTATION	
APPROVER	AY	PART	DIN PLUG PIN BASE	
SHEET 1 OF 1	ISSUE/REV.	001	VERSION	11
SCALE 5:1	A4	RELEASED	EDIT DATE	23 Apr 2018

# Mouser Electronics

Authorized Distributor

Click to View Pricing, Inventory, Delivery & Lifecycle Information:

[Deltron:](#)

[590-0800](#) [590-0500](#) [590-0300](#) [590-0700](#) [590-0400](#) [590-0520](#) [590-0600](#)